

19" ENCLOSURES

19" Rack Mount Case

UNIVERSAL ENCLOSURES

HAND HELD CASES

HEAVY DUTY ENCLOSURES

DIN RAIL ENCLOSURES

INTERFACE SUPPORTS

CONTROL STATIONS

DIECAST & METAL ENCLOSURES

DESKTOP & INSTRUMENT CASES

MULTI-PURPOSE & POTTING BOXES

19" ENCLOSURES

19" CABINETS

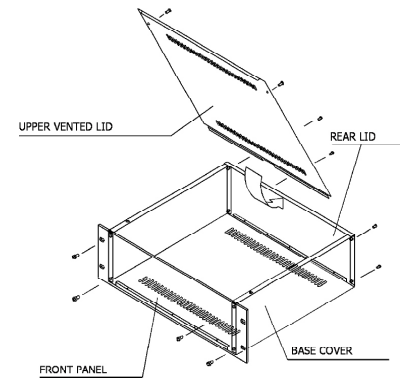
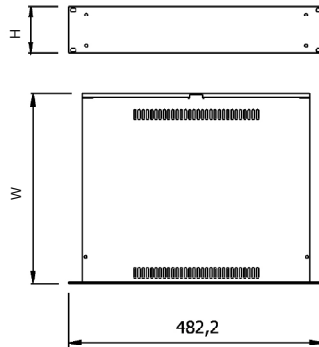
DEVELOPMENT BOARD ENCLOSURES

CUSTOM SIZED ENCLOSURES

FSPT/CUSTOM SERVICES

Designed for electronic and telecommunication equipment to be installed in 19" cabinets, with the ease of assembly, accessibility and strong construction for an effective installation.

- 1U, 2U & 3U heights
- 260mm & 360mm depths
- Secured with 10x screws M4 (8x for 1U)
- Front & rear internal supports for mounting of trays or PCBs.
- Customisation available; sizes, colour, cutouts, mounting and printing



SPECIFICATION

Materials	Front panel 3mm thick aluminium Shell 1mm thick steel
Standard colours	Clear or black anodised front panel Epoxy painted similar to RAL 9002
Standard unit includes	Front panel Shell-box, rear & lid
Options (MOQ's apply)	Custom colours Custom dimensions

Standard 19" Enclosure

SILVER	BLACK	U	DEPTH	HEIGHT
C19G1263S	C19G1263B	1U	263mm	43.6mm
C19G1363S	C19G1363B	1U	363mm	43.6mm
C19G2263S	C19G2263B	2U	263mm	88.1mm
C19G2363S	C19G2363B	2U	363mm	88.1mm
C19G3263S	C19G3263B	3U	263mm	132.5mm
C19G3363S	C19G3363B	3U	363mm	132.5mm

19" Enclosure with handles

SILVER	BLACK	U	DEPTH	HEIGHT
C19G2263SH	C19G2263BH	2U	263mm	88.1mm
C19G2363SH	C19G2363BH	2U	363mm	88.1mm
C19G3263SH	C19G3263BH	3U	263mm	132.5mm
C19G3363SH	C19G3363BH	3U	363mm	132.5mm

Handles

- Contemporary design - 2U & 3U
- Can be mounted & disassembled without removing the front
- Handle black RAL 9004 or silver



BLACK	SILVER	DESCRIPTION
C192BHAND	C192SHAND	Fits 2U Plate
C193BHAND	C193SHAND	Fits 3U Plate