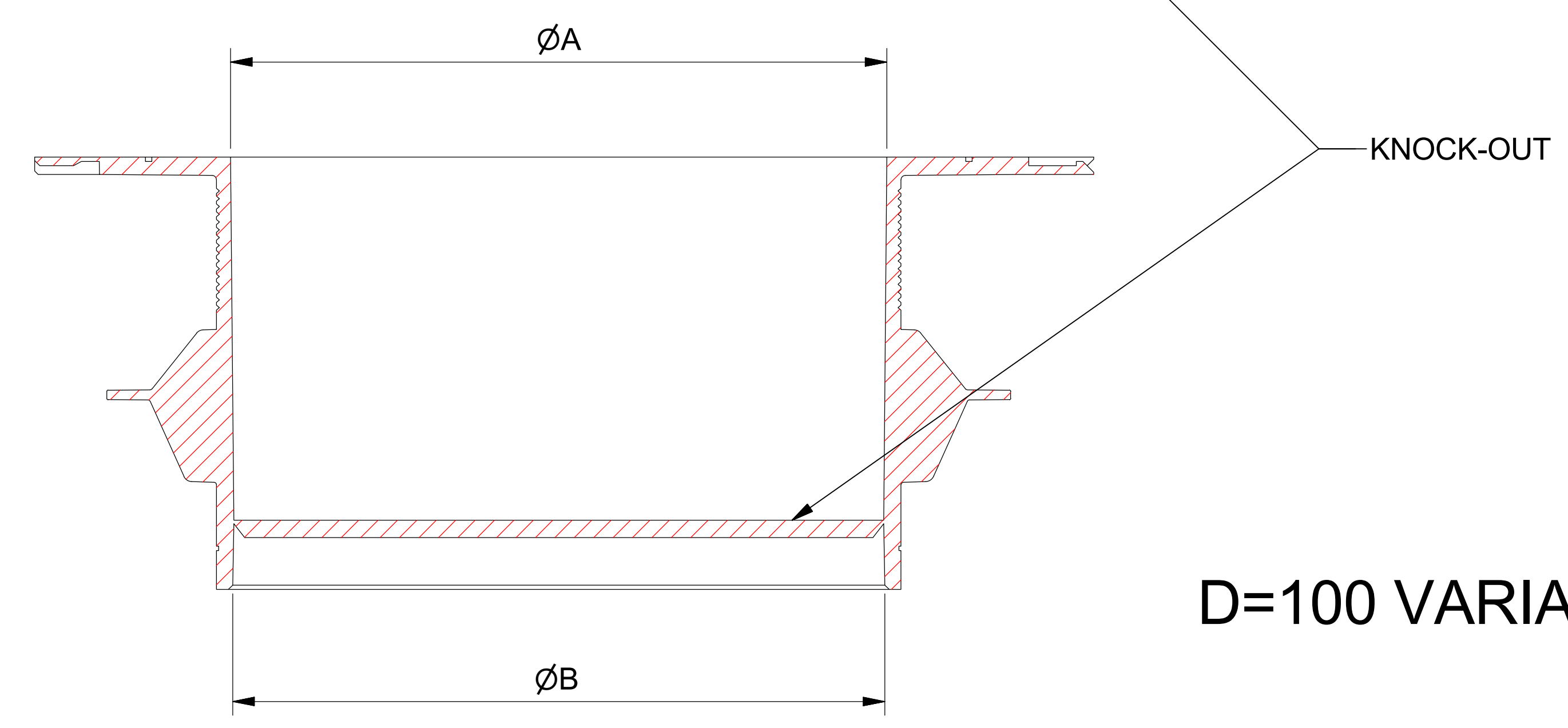
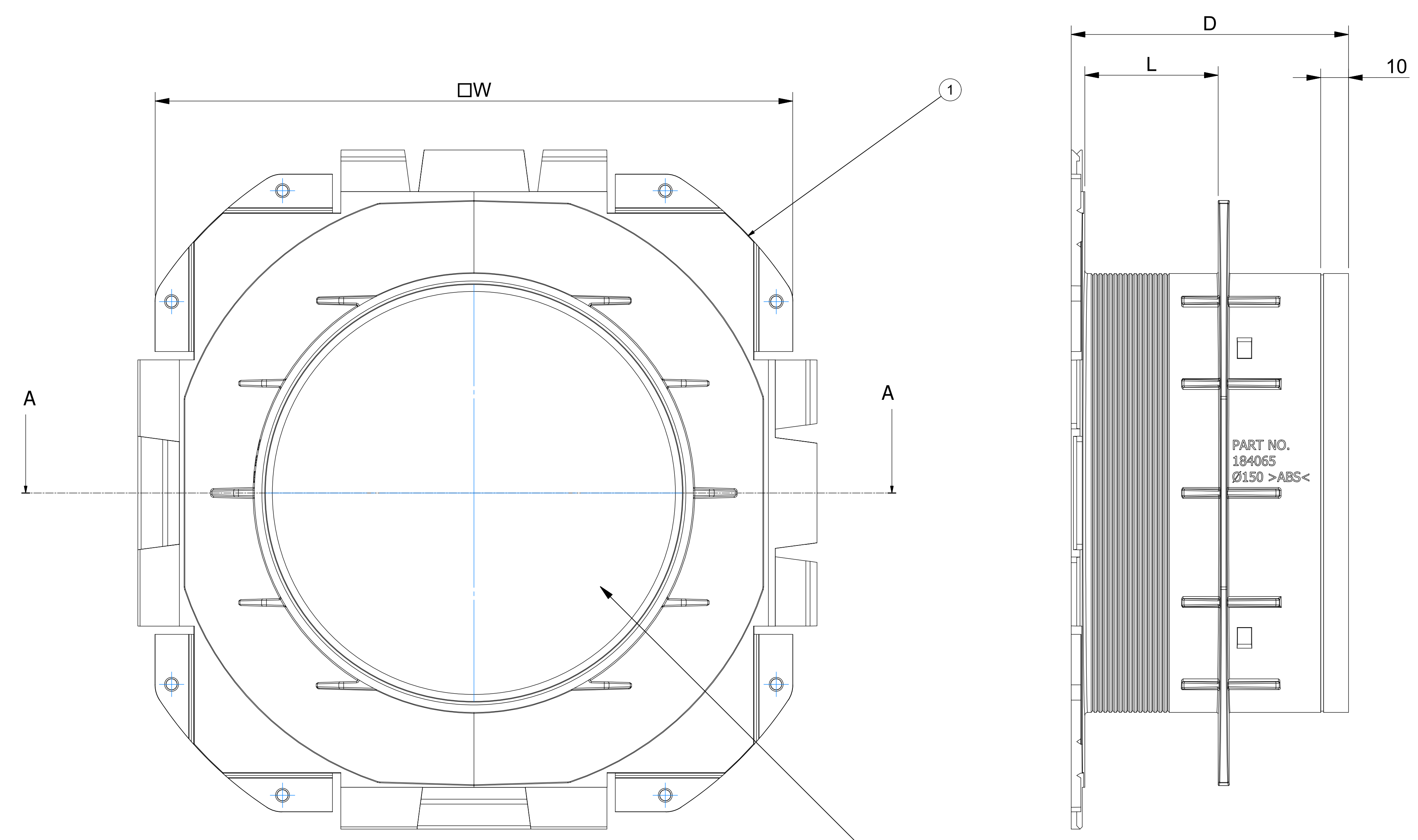
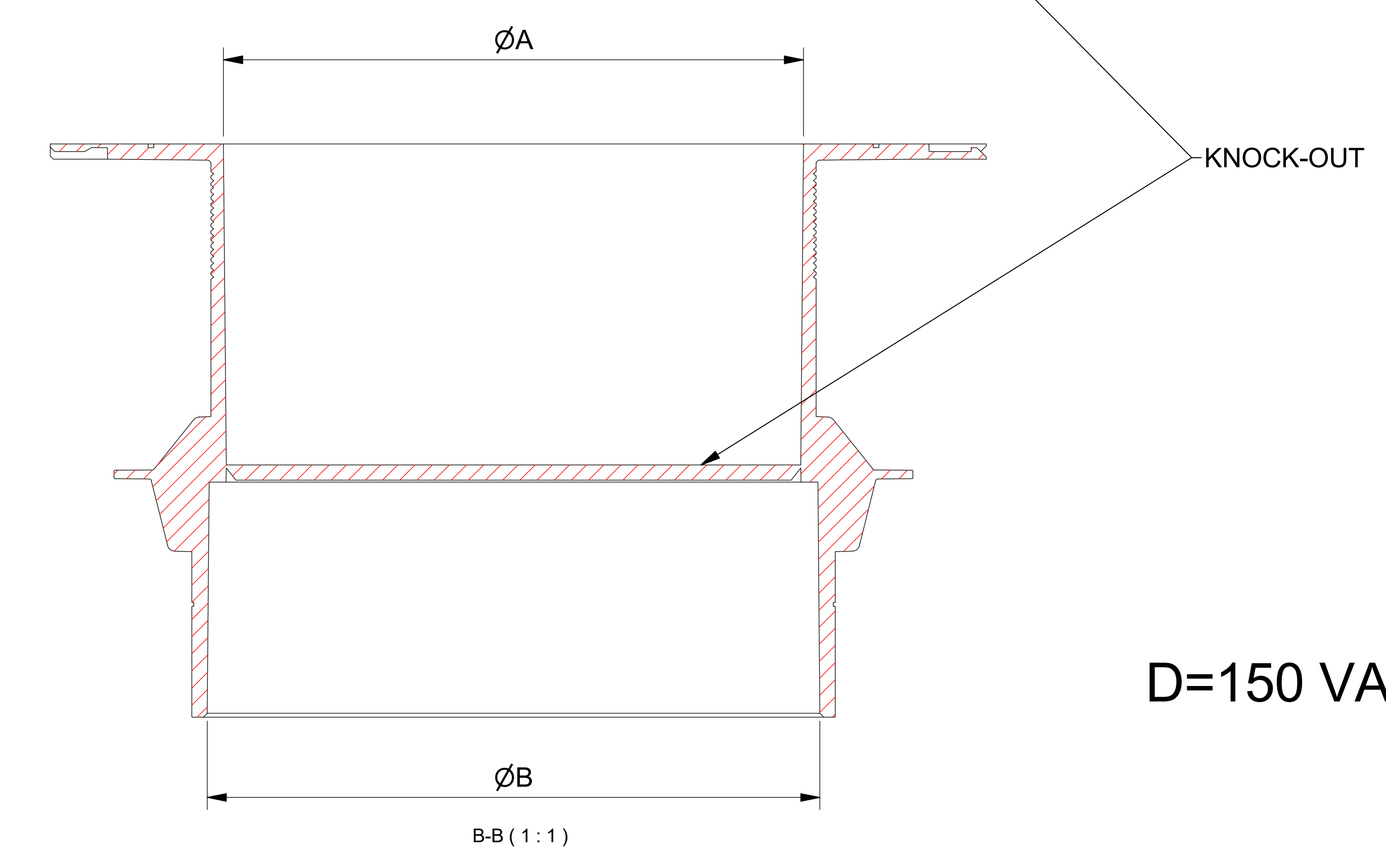
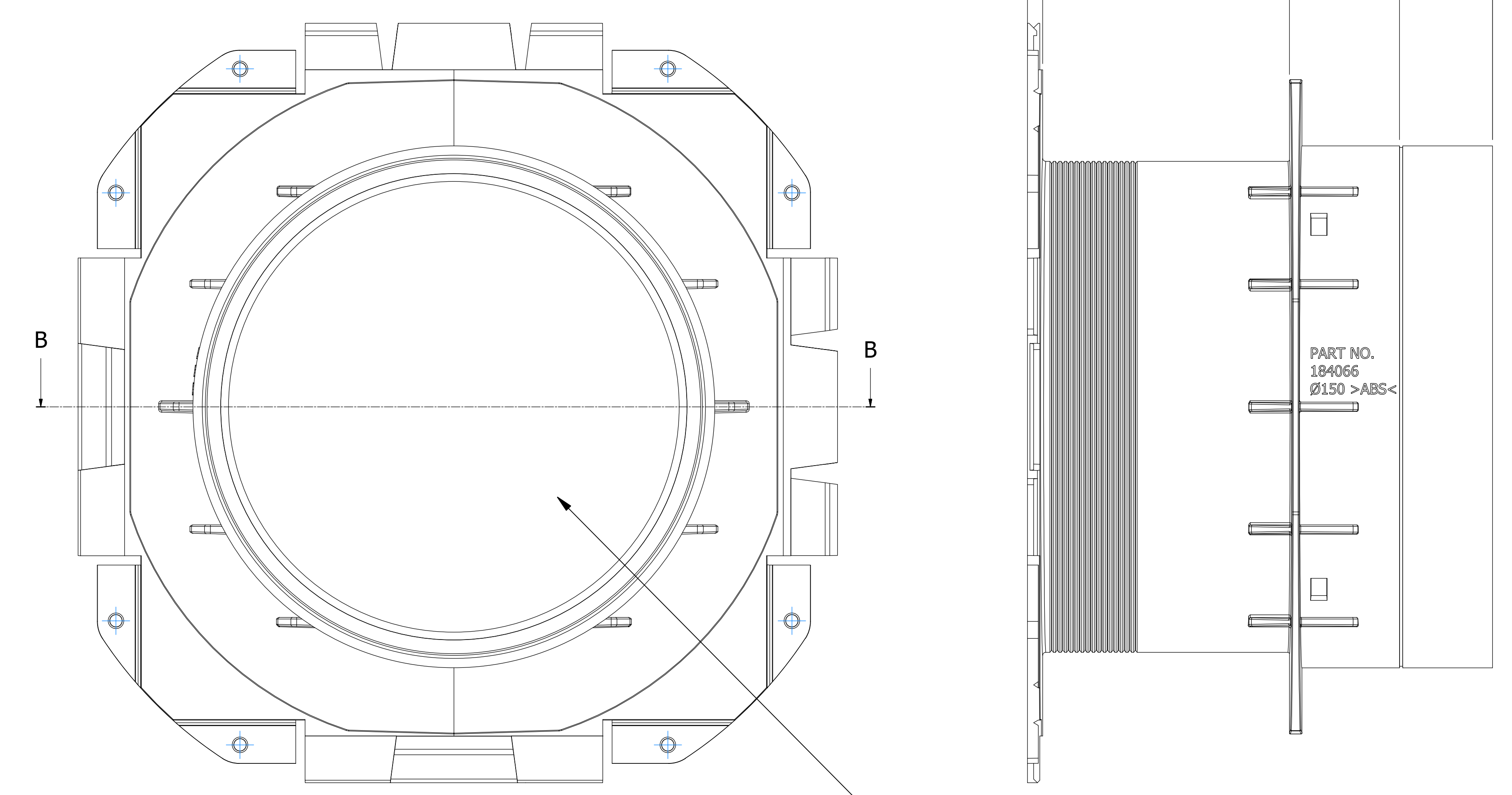
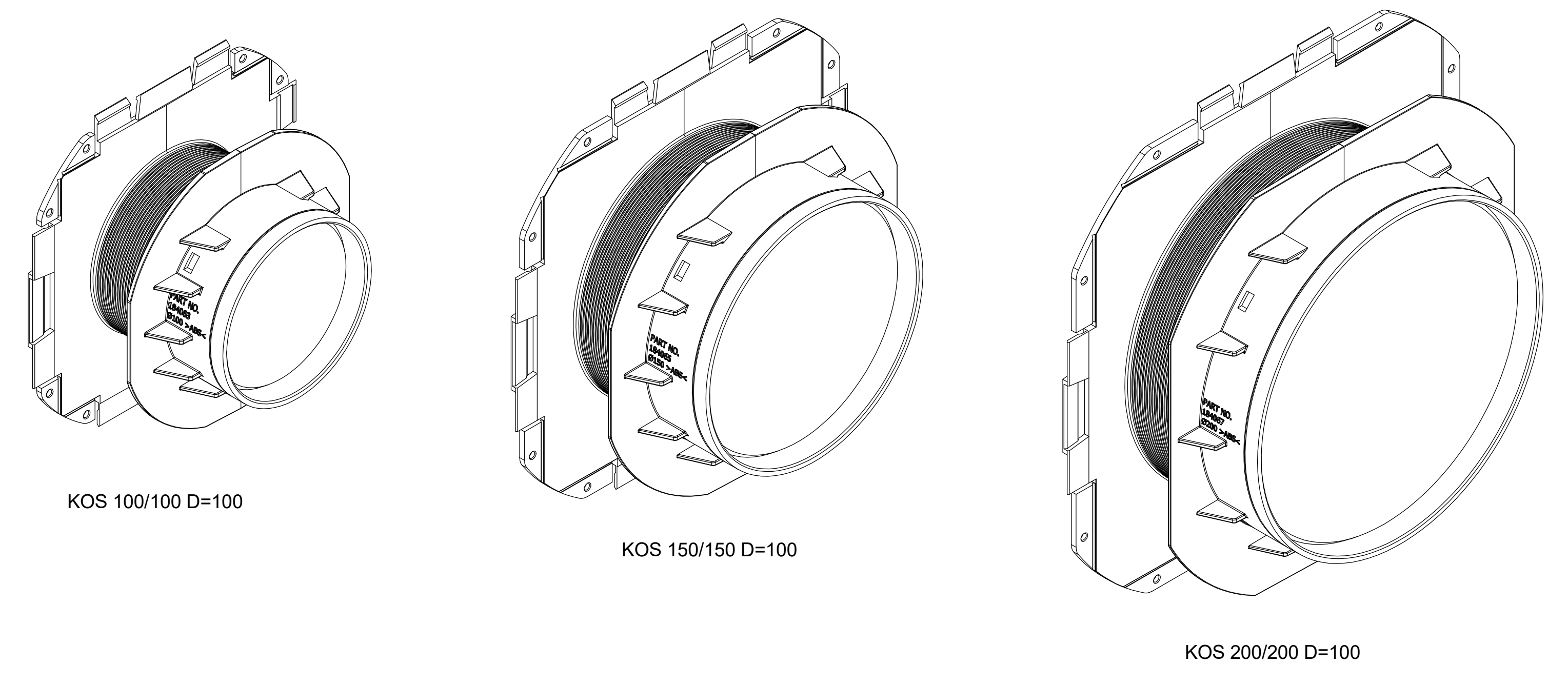


所有权利保留。未经许可，不得复制或传播。所有权利保留。未经许可，不得复制或传播。
 All rights reserved. Unauthorized reproduction, use or disclosure to third parties is strictly prohibited.

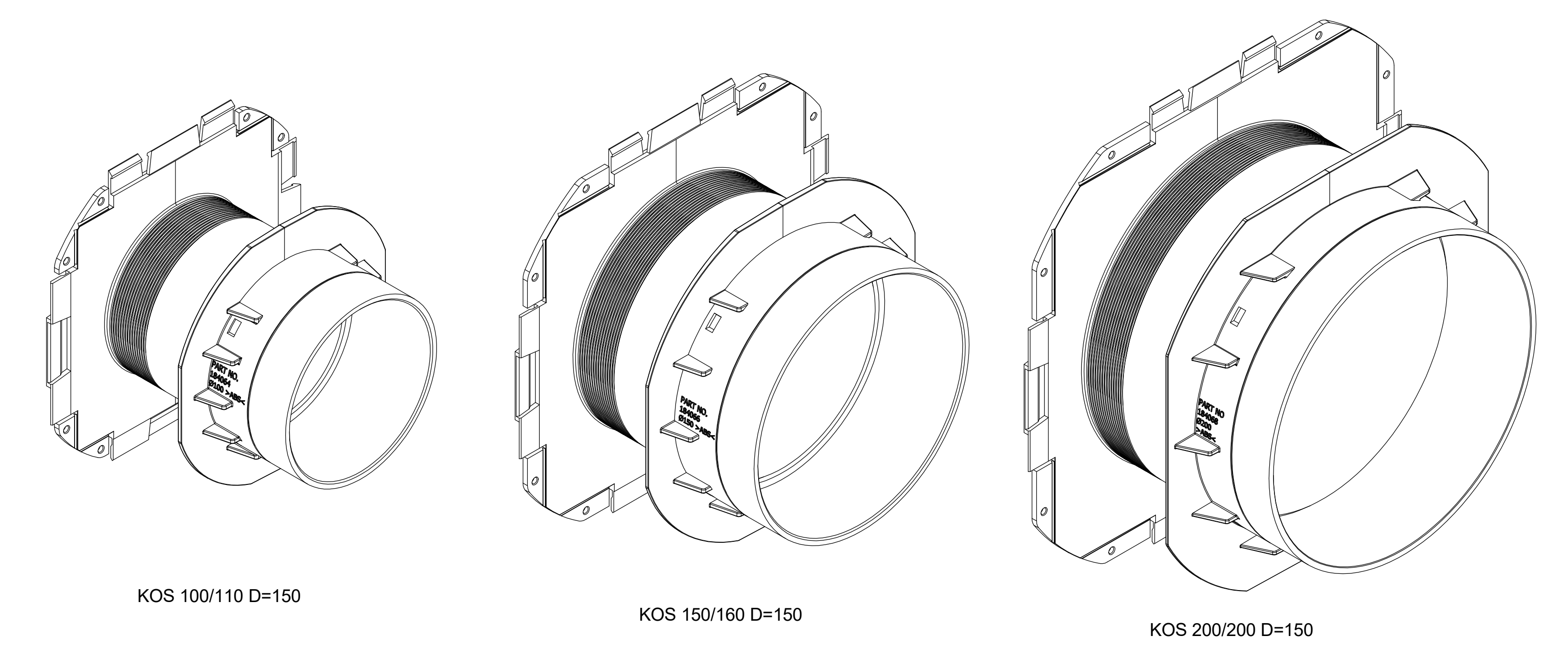
KOS VARIANTS					
SIZE	D (mm)	W (mm)	ØA (mm)	ØB (mm)	L (mm)
KOS 100/100 D=100	100	180	102	101	48
KOS 100/110 D=150	150	180	102	111	80
KOS 150/150 D=100	100	230	152	151	48
KOS 150/160 D=150	150	230	152	161	80
KOS 200/200 D=100	100	280	202	201	48
KOS 200/200 D=150	150	280	202	201	80



D=100 VARIANTS



D=150 VARIANTS



Rev	Type of revision	Date	Signature
A		2018-03-13	se-robus

ITEM	QTY	Designation	Material	Specification	Weight
1		KOS	ABS		0.4
2		INSTALLATION INSTRUCTION			

Roxtec
 KOS SLEEVES ASSEMBLY
 www.roxtec.com Information drawing Drawing number S1531134 A