


INSTRUCTION MANUAL

Connector CN-14, CN-14H, CN-14H-2

Thank you very much for using SUNX sensors. Please read this Instruction Manual carefully and thoroughly for the correct and optimum use of this sensor. Kindly keep this manual in a convenient place for quick reference.

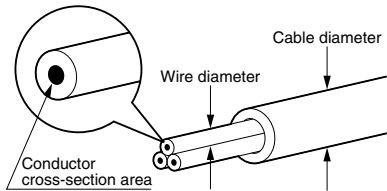
 Do not plug in/pull out the connector more than 10 times, since it can cause contact-failure. Furthermore, take care not to apply any force to the terminal of the connector **CN-14**.

1 OUTLINE

- This is a connector for connection to **PM-□54(P)** (connector type).
- The hook-up connector **CN-14H** and **CN-14H-2** can be hooked-up to the cable in a single operation, by using the exclusive hook-up pliers **CN-HP** (optional).

2 SUITABLE CABLE

- The cable suitable for the hook-up connector **CN-14H** or **CN-14H-2** is given in the table below. Further, the wire insulation material should be vinyl chloride or soft polyethylene.



Suitable cable

Model No.	Conductor cross-section area	Wire diameter	Rated current	Rated voltage
CN-14H	0.08 to 0.2mm ² (AWG28 to AWG24)	ø0.7 to ø1.2mm	1A	50V DC
CN-14H-2	0.18 to 0.22mm ² (AWG25 to AWG24)	ø1.2 to ø1.52mm		

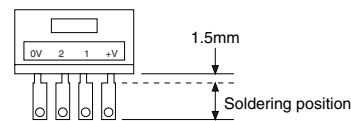
3 CAUTIONS

- Make sure to use the exclusive hook-up pliers **CN-HP** to hook-up the connectors **CN-14H** and **CN-14H-2**. Commercially available pliers cannot be used for its hook-up.
- Never reuse a hook-up connector. Its performance cannot be guaranteed.
- When the connector is inserted into the **PM-□54(P)**, insert it straight till the hook of the connector is fitted to the hook of the sensor. In order to pull the connector out, hold the connector body and then apply a force to the extent that the hook of the connector comes off from the hook of the sensor.
- Always connect or disconnect the cable attached connector by holding the connector. Never pull the cable, since it may cause a cable break.

4 SOLDERING (CN-14)

- If soldering is done directly on the terminals of the connector **CN-14** strictly adhere to the conditions given below.

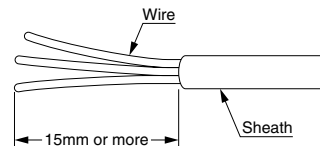
Soldering temperature	260°C or less
Soldering time	3 sec. or less
Soldering position	Refer to the figure below



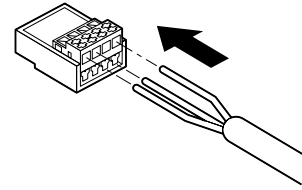
5 HOOK-UP PROCEDURE (CN-14H, CN-14H-2)

- ① Strip the cable sheath.

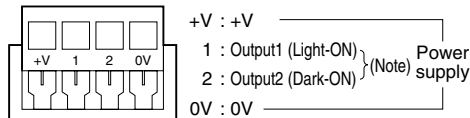
- Do not strip the wire insulation.



- ② Insert the wires into the wire insertion holes of the connector till the wire tips touch the hole ends.

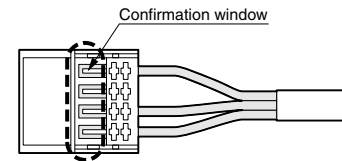


- Arrangement of **CN-14H** and **CN-14H-2**.

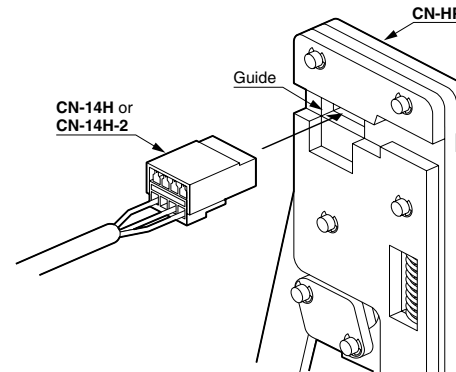


Note: Wire Terminal Nos. 1 and 2 as per requirement.

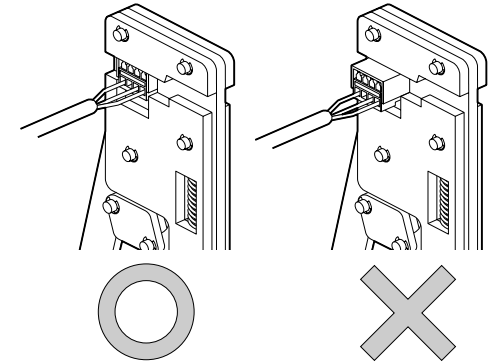
- Confirm from the confirmation window, shown in the figure below, that the wires have been inserted to a position at which they are visible.



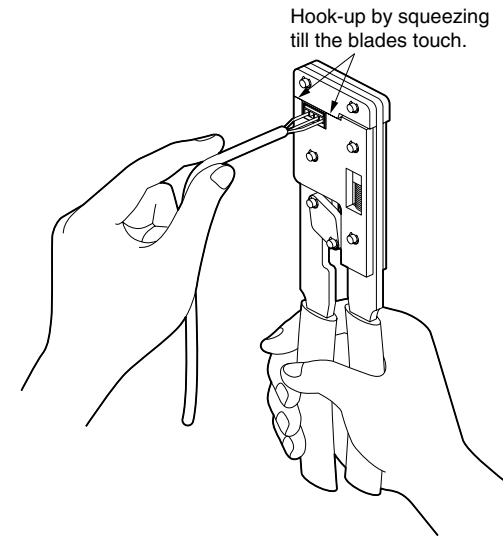
- ③ Insert the connector in the guide of the exclusive hook-up pliers **CN-HP** (optional) in the direction shown in the figure below. (Do not mistake the connector direction.)



- ④ Set the connector correctly.



- ⑤ Squeeze the pliers while pushing in the wires so that they do not come out.



SUNX Limited

<http://www.sunx.co.jp/>

Head Office

2431-1 Ushiyama-cho, Kasugai-shi, Aichi, 486-0901, Japan
Phone: +81-(0)568-33-7211 FAX: +81-(0)568-33-2631

Overseas Sales Dept.

Phone: +81-(0)568-33-7861 FAX: +81-(0)568-33-8591