

BM.193-SST | Knurled knobs

Ganter Norm GN 535

Stainless steel



- 1
- 2
- 3
- 4
- 5
- 6
- 7
- 8
- 9
- 10
- 11
- 12
- 13
- 14
- 15
- 16
- 17
- 18

MATERIAL

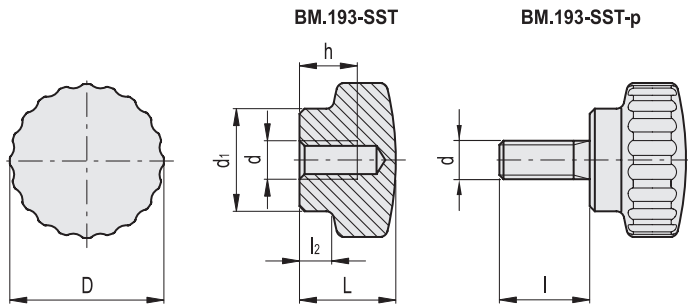
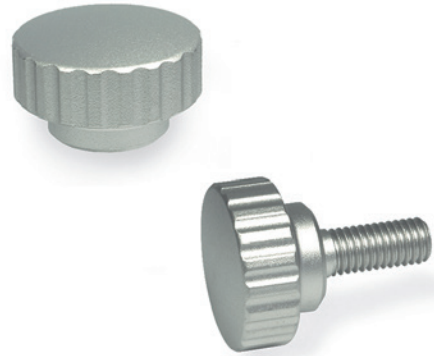
AISI 304 stainless steel, sandblasted matte finish.

STANDARD EXECUTIONS

- **BM.193-SST**: threaded blind hole.
- **BM.193-SST-p**: threaded pin

SPECIAL EXECUTIONS ON REQUEST

Mirror polished (PL) finish.



BM.193-SST



| Code | Description | D | d | L | d1 | l2 | h | ⚖ |
|--------|------------------|----|----|----|----|-----|----|----|
| 503501 | BM.193/20 SST-M5 | 20 | M5 | 13 | 14 | 4.5 | 8 | 26 |
| 503511 | BM.193/24 SST-M6 | 24 | M6 | 15 | 16 | 4.5 | 9 | 38 |
| 503521 | BM.193/28 SST-M8 | 28 | M8 | 17 | 18 | 4.5 | 10 | 58 |

BM.193-SST-p



| Code | Description | D | d | L | d1 | l | l2 | ⚖ |
|--------|-----------------------|----|----|----|----|----|-----|----|
| 503551 | BM.193/20 SST-p-M5x10 | 20 | M5 | 13 | 14 | 10 | 4.5 | 26 |
| 503552 | BM.193/20 SST-p-M5x16 | 20 | M5 | 13 | 14 | 16 | 4.5 | 27 |
| 503561 | BM.193/24 SST-p-M6x16 | 24 | M6 | 15 | 16 | 16 | 4.5 | 44 |
| 503562 | BM.193/24 SST-p-M6x20 | 24 | M6 | 15 | 16 | 20 | 4.5 | 45 |
| 503563 | BM.193/24 SST-p-M6x25 | 24 | M6 | 15 | 16 | 25 | 4.5 | 46 |
| 503571 | BM.193/28 SST-p-M8x16 | 28 | M8 | 17 | 18 | 16 | 4.5 | 68 |
| 503572 | BM.193/28 SST-p-M8x20 | 28 | M8 | 17 | 18 | 20 | 4.5 | 69 |
| 503573 | BM.193/28 SST-p-M8x30 | 28 | M8 | 17 | 18 | 30 | 4.5 | 70 |

Clamping elements