

GN 197 | Monitor mounts

Aluminium



- 1
- 2
- 3
- 4
- 5
- 6
- 7
- 8
- 9
- 10
- 11
- 12
- 13
- 14
- 15
- 16
- 17
- 18

MATERIAL

Natural aluminium.

CONNECTION STUD

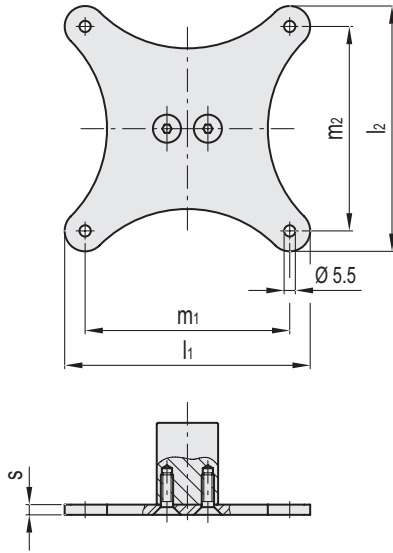
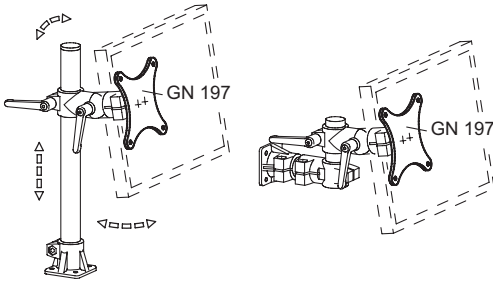
Aluminium, fine turned.

SCREWS

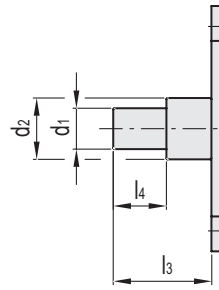
AISI 304 stainless steel.

FEATURES AND APPLICATIONS

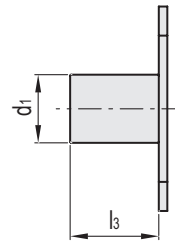
Monitor mounts GN 197 have a hole pattern according to the VESA standard. The connecting studs can be combined with diverse components within the tube clamp connector program in order to realize a wide range of fastening variants, degrees of freedom and adjusting options.



d1 = 18, 20, 25



d1 = 30, 40, 50



Code	Description	d1	d2	l1	l2	l3	l4	m1	m2	s	⚖
GN.55332	GN 197-D18-75-75-A-BL	18	30	95	95	46	24	75	75	5	158
GN.55331	GN 197-D18-100-100-A-BL	18	30	120	120	46	24	100	100	5	200
GN.55334	GN 197-D20-75-75-A-BL	20	30	95	95	48	26	75	75	5	166
GN.55333	GN 197-D20-100-100-A-BL	20	30	120	120	48	26	100	100	5	200
GN.55336	GN 197-D25-75-75-A-BL	25	30	95	95	54	32	75	75	5	188
GN.55335	GN 197-D25-100-100-A-BL	25	30	120	120	54	32	100	100	5	224
GN.55338	GN 197-D30-75-75-A-BL	30	-	95	95	40	-	75	75	5	180
GN.55337	GN 197-D30-100-100-A-BL	30	-	120	120	40	-	100	100	5	222
GN.55340	GN 197-D40-75-75-A-BL	40	-	95	95	52	-	75	75	5	282
GN.55339	GN 197-D40-100-100-A-BL	40	-	120	120	52	-	100	100	5	322
GN.55342	GN 197-D50-75-75-A-BL	50	-	95	95	65	-	75	75	5	426
GN.55341	GN 197-D50-100-100-A-BL	50	-	120	120	65	-	100	100	5	467

Connecting clamps