

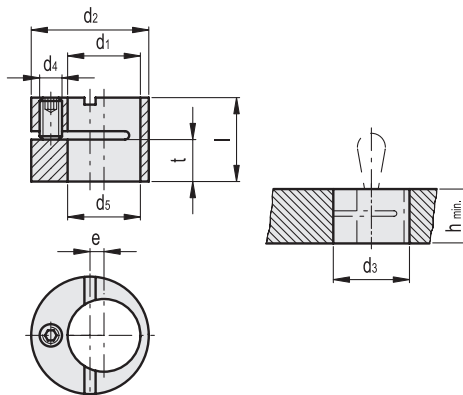
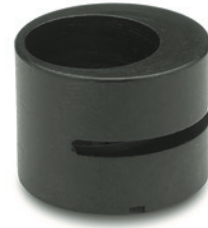
- 1
- 2
- 3
- 4
- 5
- 6
- 7
- 8**
- 9
- 10
- 11
- 12
- 13
- 14
- 15
- 16
- 17
- 18

MATERIAL

Black-oxide steel.

FEATURES AND APPLICATIONS

GN 715.2 eccentric bushings are used to position correctly side thrust pins GN 715 (see page 628). By using the eccentric bushings, the thrust spring pin can be positioned very precisely to adapt to the tolerance of the piece to be machined.



Code	Description	d1	**non tradotto**	**non tradotto**	d4	**non tradotto**	e	l-0.2	h _{min}	t	
GN.37011	GN 715.2-6	6	12	12	M4	6.2	2	9.9	10	4.4	5
GN.37013	GN 715.2-10	10	16	16	M4	10.2	2	11.9	12	5.4	9
GN.37016	GN 715.2-12	12	18	18	M4	12.2	2	13.9	14	6.6	13
GN.37018	GN 715.2-16	16	25	25	M6	16.2	3	17.9	18	7.9	35