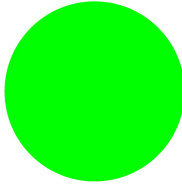




**Illuminated selector switch actuators, Flat Front, with thumb-grip, green, 3 positions, maintained**



**Part no.** M30C-FWRLK3-G  
**Catalog No.** 187132  
**Eaton Catalog No.** M30C-FWRLK3-G

**Delivery program**

|   |   |  |  |
|---|---|--|--|
| Product range   |   |  | RMQ-Titan  |
| Basic function  |   |  | Illuminated selector switch actuator   |
| Single unit/Complete unit   |   |  | Single unit  |
| Design  |   |  | With thumb-grip<br>maintained  |
| <b>Function:</b>  |   |  |  |
|   |   |  | 60° ↙ ↘ 60°<br>3 positions   |
| <b>Colour</b>   |   |  |  |
| Thumb-grip  |   |  | green  |
|   |   |  |  |
| Degree of Protection  |   |  | IP64   |
| Front ring  |   |  | Metal bezel  |
| Connection to SmartWire-DT  |   |  | Yes, with SWD-RMQ connections  |
| <b>Actuator travel and actuation force as per DIN EN 60947-5-1, K.5.4.1</b> |   |  |  |
| Minimum force for positive opening  | N |  | 0  |
| Front dimensions  |   |  | Ø 36 mm  |
| <b>Instructions</b>   |   |  | Stay-put/spring-return function, can be changed with coding parts M22-XC-Y         |

**Technical data**

**General**

|                             |              |                   |  |
|-----------------------------|--------------|-------------------|--|
| Standards                   |              |                   | IEC/EN 60947<br>VDE 0660   |
| Lifespan, mechanical        | Operations   | x 10 <sup>6</sup> | > 0.1  |
| Operating frequency         | Operations/h |                   |  2000 |
| Operating torque            |              | Nm                |  0.3  |
| Climatic proofing           |              |                   | Damp heat, constant, to IEC 60068-2-78<br>Damp heat, cyclic, to IEC 60068-2-30           |
| Degree of Protection        |              |                   | IP64   |
| Ambient temperature         |              |                   |  |
| Open                        |              | °C                | -25 - +70  |
| Mounting position           |              |                   | As required  |
| Mechanical shock resistance |              | g                 | 15<br>Shock duration 11 ms<br>Sinusoidal<br>according to IEC 60068-2-27                  |

**Design verification as per IEC/EN 61439**

|  |  |    |     |
|--|--|----|-----|
| Technical data for design verification |  |    |     |
| Operating ambient temperature max.     |  | °C | -25 |
| Operating ambient temperature max.     |  | °C | 70  |

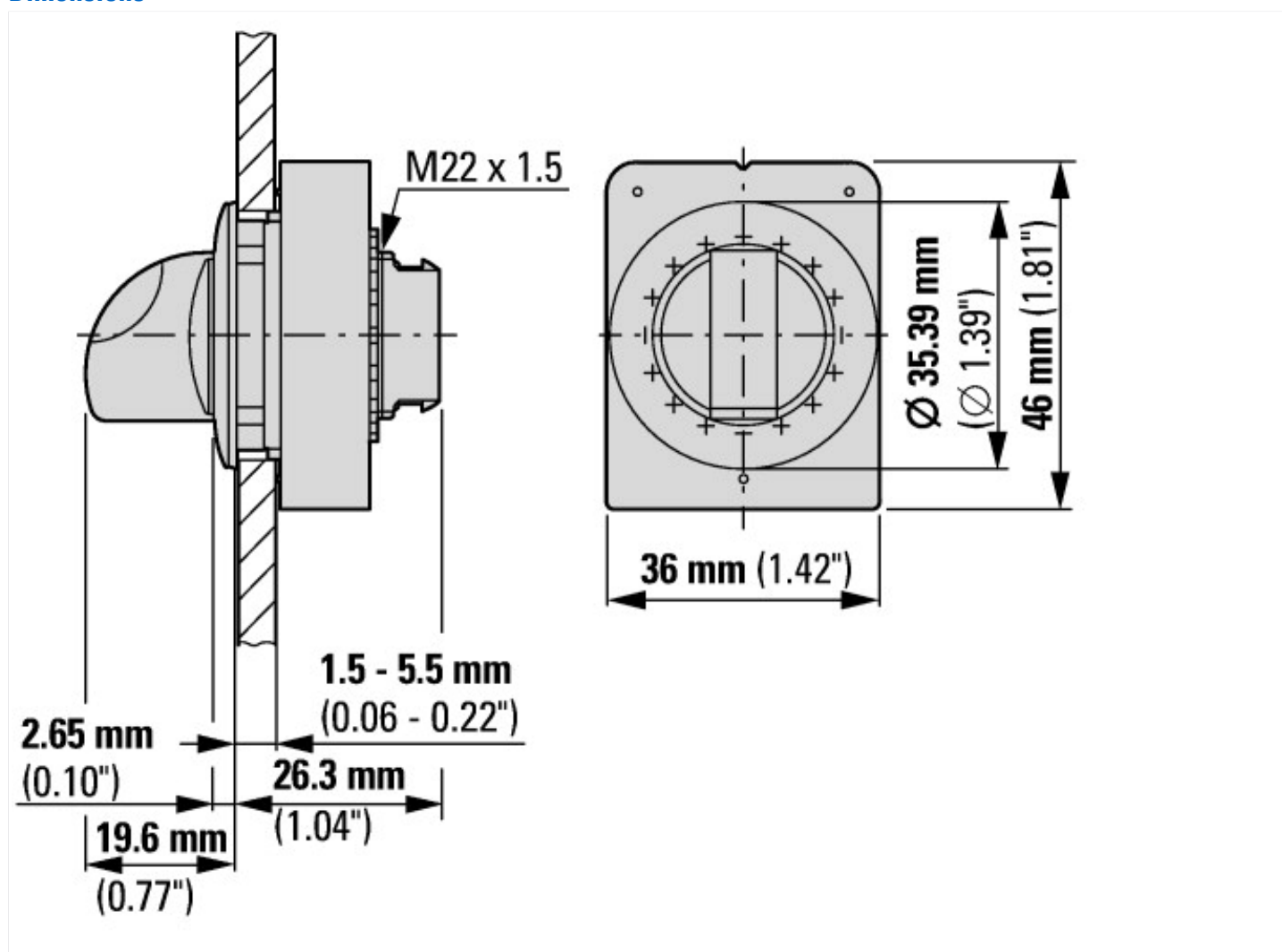
## Technical data ETIM 6.0

Low-voltage industrial components (EG000017) / Front element for selector switch (EC000222)

Electric engineering, automation, process control engineering / Low-voltage switch technology / Command and alarm device / Front element for selector switches (ecl@ss8.1-27-37-12-13 [AKF031011])

|                                       |    |  |        |
|---------------------------------------|----|--|--------|
| Number of switch positions            |    |  | 3      |
| Type of control element               |    |  | Toggle |
| Suitable for illumination             |    |  | Yes    |
| Colour control element                |    |  | Green  |
| Colour indicator light cap            |    |  | Green  |
| Construction type lens                |    |  | Round  |
| Hole diameter                         | mm |  | 30     |
| Width opening                         | mm |  | 0      |
| Height meter opening                  | mm |  | 0      |
| Switching function latching           |    |  | Yes    |
| Spring-return                         |    |  | No     |
| Degree of protection (IP), front side |    |  | IP66   |
| With front ring                       |    |  | Yes    |
| Material front ring                   |    |  | Metal  |
| Colour front ring                     |    |  | Chrome |

## Dimensions





with 2 M22-K... standard contact elements



with M22-FK... flat rear contact elements



### Additional product information (links)

IL047019ZU Flat Front

IL047019ZU Flat Front

[ftp://ftp.moeller.net/DOCUMENTATION/AWA\\_INSTRUCTIONS/IL047019ZU2017\\_02.pdf](ftp://ftp.moeller.net/DOCUMENTATION/AWA_INSTRUCTIONS/IL047019ZU2017_02.pdf)