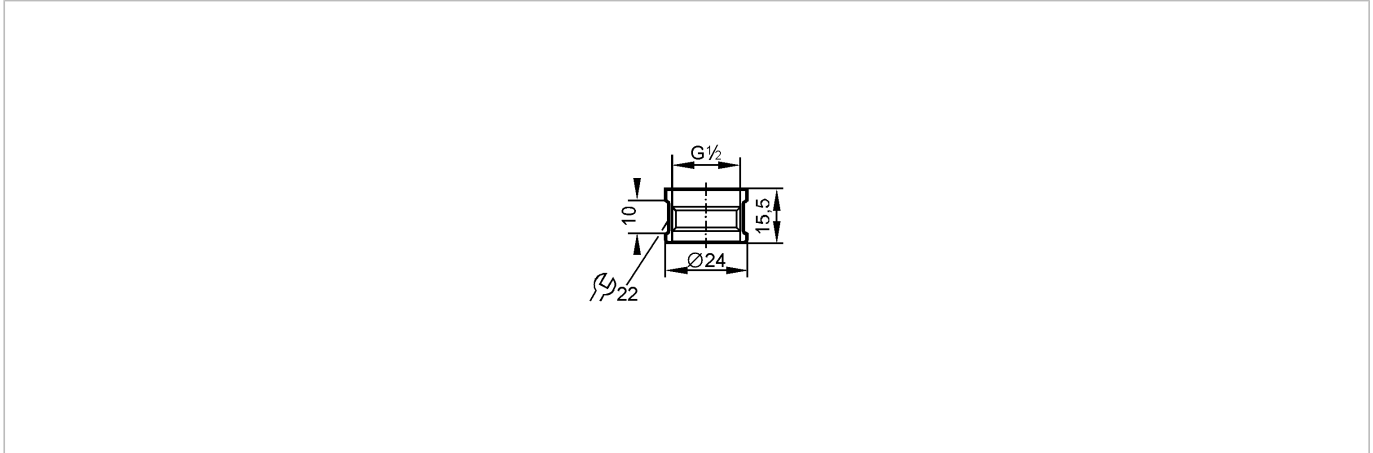




THREAD COVER TR

Accessories



Product characteristics

Thread cover

Ø 24 mm - G 1/2

Ø 24 mm

to cover the G 1/2 thread

for installation in hygienic areas

Mechanical data

for units with process connection

G 1/2

Design

for types TR

Housing materials

stainless steel (303S22)

Weight [kg]

0.02

Remarks

Pack quantity [piece]

1