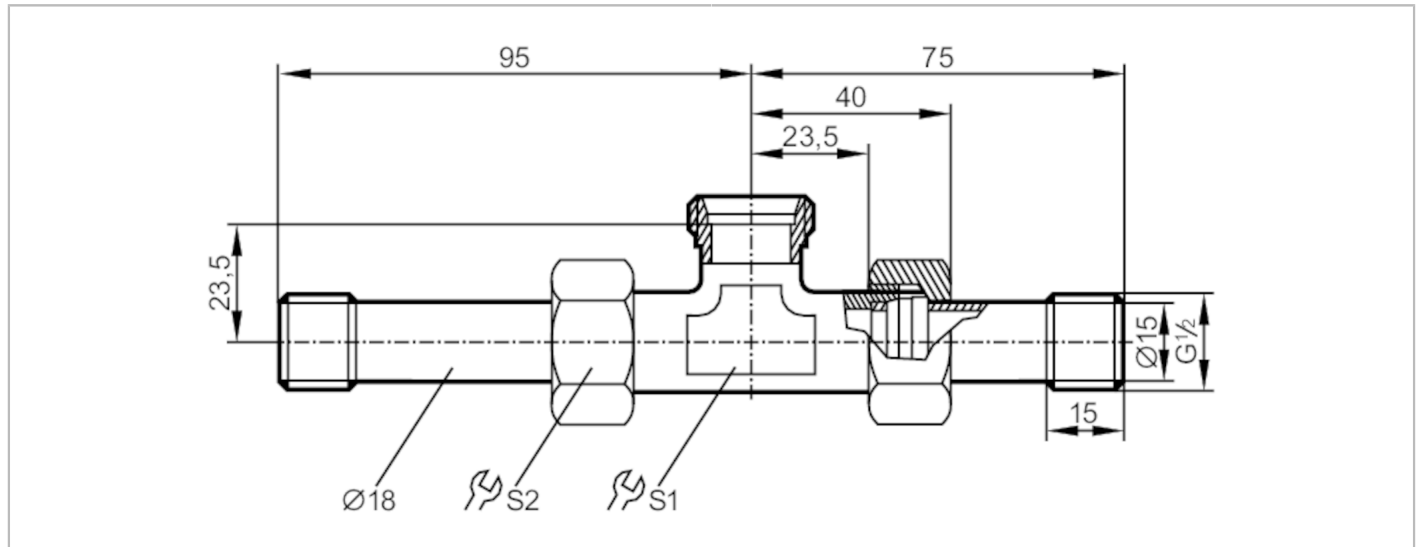


E40102



T-piece with progressive ring fitting

T-PIECE G1/2-18-G1/2



Application	
Design	for sensors and adapters with process connection M26x1,5
Application	for industrial applications
Media	liquids and gases
Pressure rating [bar]	300
Tests / approvals	
Pressure Equipment Directive	Sound engineering practice; can be used for group 2 fluids; group 1 fluids on request
Mechanical data	
Weight [g]	378.8
Materials	stainless steel (1.4571/316Ti)
Sensor connection	M18 x 1,5 internal thread
Accessories	
Accessories (optional)	Adapter: 1 x M18 x 1,5, for direct connection of flow sensors, E40104
Remarks	
Remarks	Use a lubricating paste which is suitable and approved for the application Observe the notes on the installation of progressive ring fittings
Pack quantity	1 pcs.