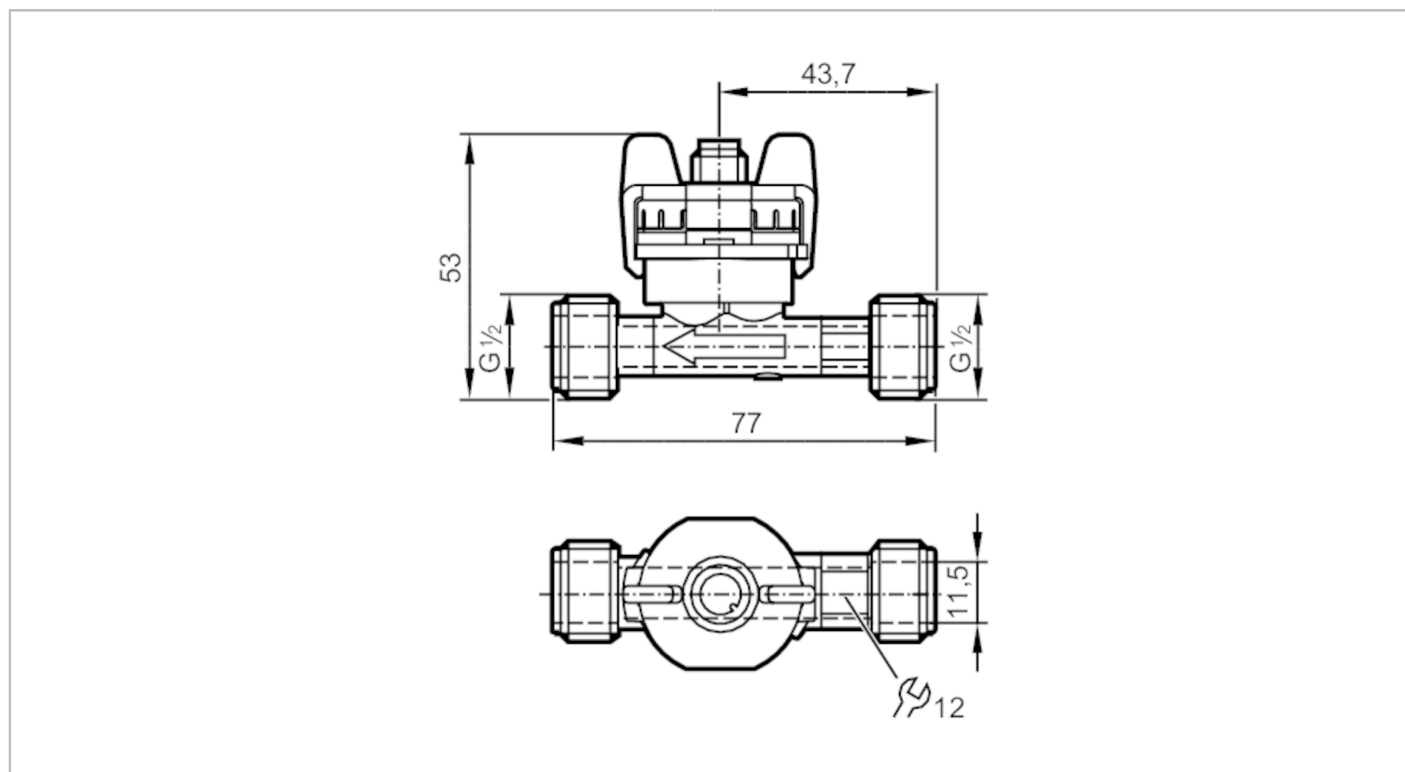


SV4050



Vortex flow meter

SVM12XXXD0KG/US-100



Product characteristics

Number of inputs and outputs	Number of analogue outputs: 1	
Measuring range	0.9...15 l/min	0.133...2.21 m/s
Process connection	threaded connection G 1/2 DN8	

Application

Special feature	Gold-plated contacts	
Measuring element	1 x Pt 1000; (to DIN EN 60751, class B)	
Application	for industrial applications	
Installation	connection to pipe by means of an adapter	
Media	water; glycol solutions; coolants	
Medium temperature [°C]	-40...100	
Min. bursting pressure [bar]	25	
Pressure rating [bar]	12	
Note on pressure rating	up to 40 °C	

Electrical data

Operating voltage [V]	8...33 DC	
Min. insulation resistance [MΩ]	100; (500 V DC)	
Protection class	III	
Power-on delay time [s]	< 2	

Inputs / outputs

Number of inputs and outputs	Number of analogue outputs: 1	
------------------------------	-------------------------------	--

SV4050



Vortex flow meter

SVM12XXXD0KG/US-100

Outputs		
Total number of outputs		1
Output signal		analogue signal
Number of analogue outputs		1
Analogue current output	[mA]	4...20; (Q [l/min] = 0,938 x (I - 4 mA))
Max. load	[Ω]	< (U _b - 8 V) / 20 mA; U _b = 24 V: 800
Measuring/setting range		
Measuring range		0.9...15 l/min 0.133...2.21 m/s
Temperature monitoring		
Internal heating temperature probe		1 K/mW
Measuring range	[°C]	-40...100
Accuracy / deviations		
Flow monitoring		
Accuracy (in the measuring range)		Q < 50 % MEW: < 1 % MEW / Q > 50 % MEW: < 2 % MW; (water)
Repeatability		0,2; (% of the final value)
Temperature monitoring		
Accuracy	[K]	± 0,3 ± 0,005 x T
Response times		
Flow monitoring		
Response time	[s]	0.5
Operating conditions		
Ambient temperature	[°C]	-15...85
Storage temperature	[°C]	-30...85
Protection		IP 65
Cavitation		P(absolute) discharge / P(difference) > 5.5 to avoid cavitation
Tests / approvals		
EMC		EN 61326-2-3
Shock resistance		DIN EN 60068-2-27 30 g (11 ms)
Vibration resistance		DIN EN 60068-2-6 with water / 10...61 Hz 1 mm with water / 61...2000 Hz 2 g
MTTF	[years]	380
Pressure Equipment Directive		Sound engineering practice; can be used for group 2 fluids; group 1 fluids on request
Mechanical data		
Weight	[g]	65
Materials		PA 6T
Materials (wetted parts)		ETFE; PA 6T; FKM
Tightening torque	[Nm]	12
Process connection		threaded connection G 1/2 DN8
Remarks		
Remarks		MW = measured value MEW = Final value of the measuring range
Pack quantity		1 pcs.

SV4050



Vortex flow meter

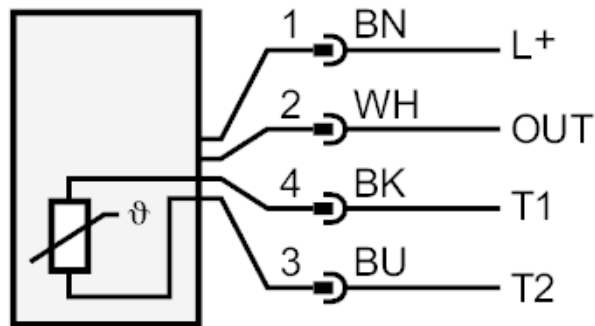
SVM12XXXD0KG/US-100

Electrical connection

Connector: 1 x M12; Contacts: gold-plated



Connection



OUT: analogue output

T1 / T2: Pt1000

colours to DIN EN 60947-5-2

Core colours :

BK = black

BN = brown

BU = blue

WH = white

SV4050

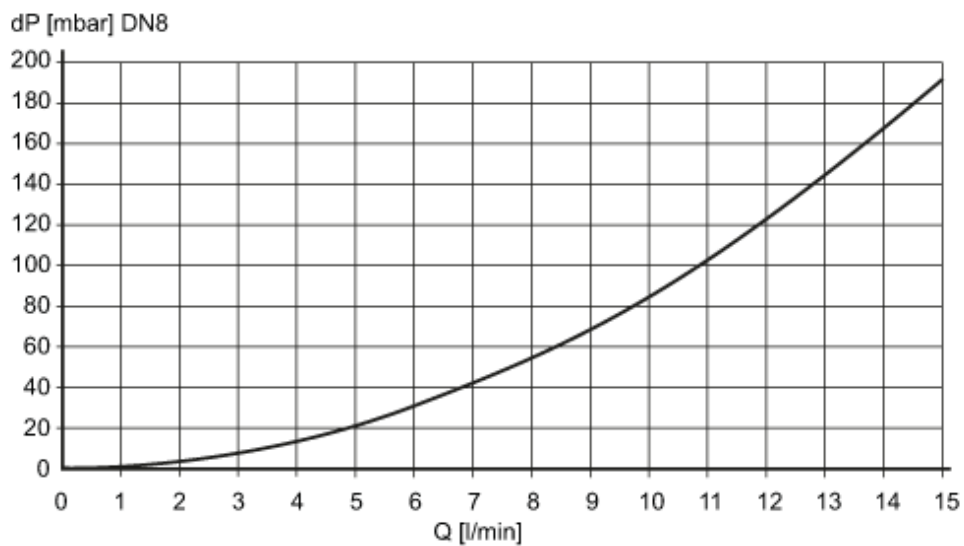


Vortex flow meter

SVM12XXXD0KG/US-100

Diagrams and graphs

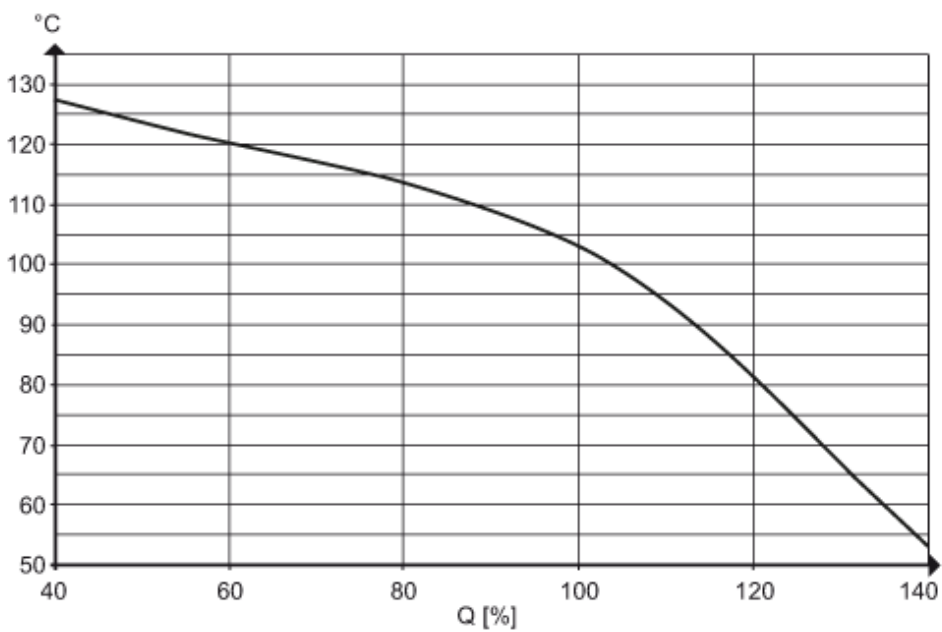
Pressure loss



dP Pressure loss

Q volumetric flow quantity

min. life 10 years referred to flow and high medium temperatures



pressure rating (bar)

