



Part no.: 50137477
OGS 600-140/D2-M12.8
Optical guidance sensor



Figure can vary



RS422



Contents

- . Technical data
- . Dimensioned drawings
- . Electrical connection
- . Diagrams
- . Notes
- . Accessories

Technical data

Basic data	
Series	OGS 600
Application	Optical guidance
Trace types	Dark trace on light background Light trace on dark background Retro-reflective trace
Optical data	
Working range	10 ... 70 mm
Light source	LED , Red
LED light wavelength	634 nm
Transmitted-signal shape	Pulsed
Detection width for complete trace	115 mm
Measurement data	
Measurement value resolution	1 mm , Working distance 35 mm
Linearity error	0 ... 5 mm , Working distance 35 mm
Output value for edges	170 ... 1,330
Maximum output value	0 ... 1,500
Electrical data	
Protective circuit	Polarity reversal protection Short circuit protected
Performance data	
Supply voltage U_B	18 ... 30 V , DC
Average power consumption	4 W
Outputs	
Number of digital switching outputs	1 Piece(s)
Switching outputs	
Type	Digital switching output
Voltage type	DC
Switching current, max.	100 mA
Switching voltage	High: $\geq(U_B-2V)$ Low: $\leq 2V$
Switching output 1	
Switching element	Transistor , PNP
Switching principle	Trace monitoring / contrast monitoring, adjustable
Inputs/outputs selectable	
Number of inputs/outputs selectable	1 Piece(s)
Voltage type, outputs	DC
Switching voltage, outputs	High: $\geq(U_B-2V)$ Low: $\leq 2V$
Voltage type, inputs	DC
Switching voltage, inputs	high: $\geq 8V$ Low: $\leq 2V$
Input/output 1	
Function	Activation input Deactivation input Trace monitoring / contrast monitoring, adjustable

Timing

Cycle time	10 ms
------------	-------

Interface

Type	RS 422
------	--------

RS 422

Function	Process
Transmission speed	19,200 ... 115,200 Bd
Start bit	1
Data bit	8
Stop bit	1
Parity	Uneven parity bit
Data encoding	Binary

Connection

Number of connections	1 Piece(s)
-----------------------	------------

Connection 1

Type of connection	Connector
Function	Data interface Signal IN Signal OUT Voltage supply
Thread size	M12
Type	Male
Material	Metal
No. of pins	8 -pin
Encoding	A-coded

Mechanical data

Design	Cubic
Dimension (W x H x L)	34.5 mm x 47.5 mm x 216 mm
Housing material	Aluminum
Lens cover material	Plastic
Net weight	245 g
Housing color	Red
Type of fastening	Supplied mounting bracket

Operation and display

Type of configuration	Software
-----------------------	----------

Environmental data

Ambient temperature, operation	-15 ... 50 °C
Ambient temperature, storage	-30 ... 60 °C

Certifications

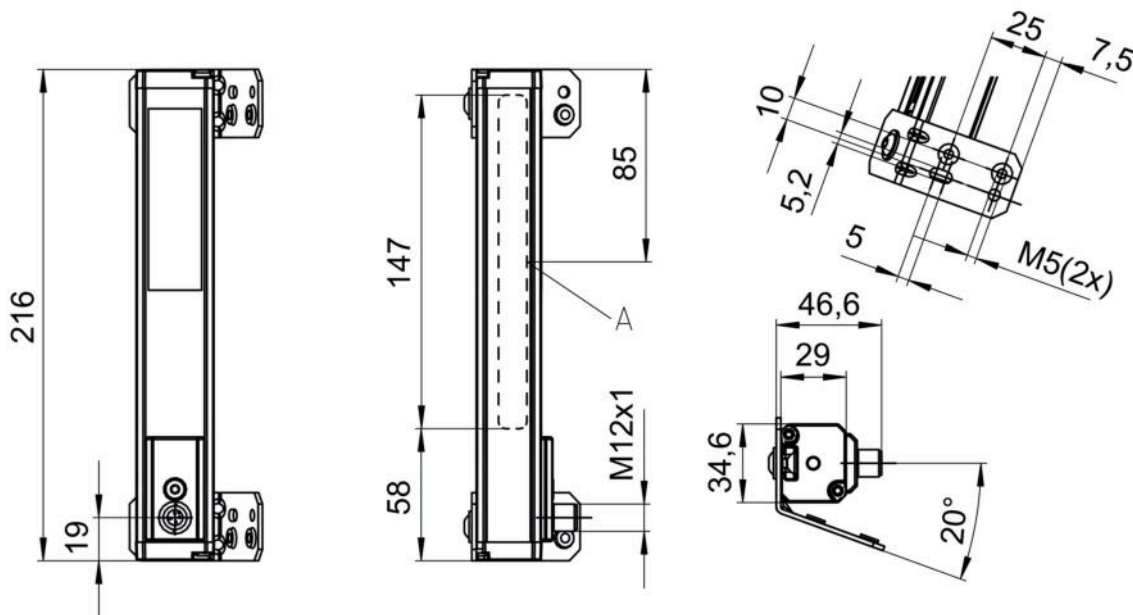
Degree of protection	IP 65
Protection class	III
Certifications	c UL US
Standards applied	EN 60947-5-2:2007+A1:2012

Classification

Customs tariff number	85365019
eCl@ss 8.0	27270906
eCl@ss 9.0	27270906
ETIM 5.0	EC001820

Dimensioned drawings

All dimensions in millimeters

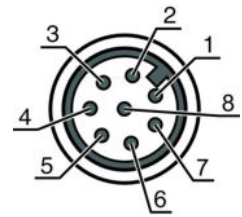


A Integrated illumination

Electrical connection

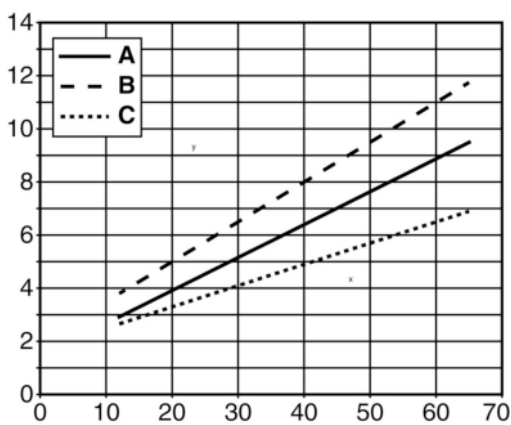
Connection 1	
Type of connection	Connector
Function	Data interface Signal IN Signal OUT Voltage supply
Thread size	M12
Type	Male
Material	Metal
No. of pins	8 -pin
Encoding	A-coded

Pin	Pin assignment
1	V+
2	SW IN/OUT
3	GND
4	OUT
5	Tx+
6	Tx-
7	Rx+
8	Rx-



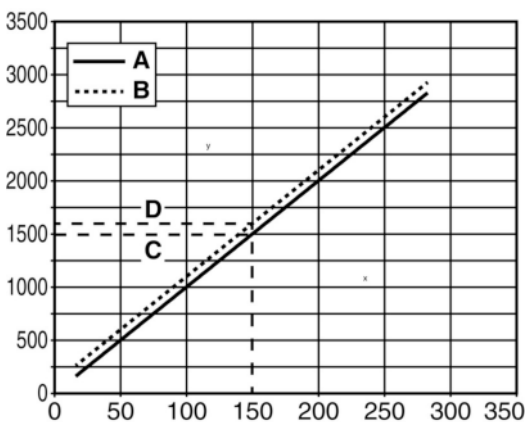
Diagrams

Typical value of characteristic curve: linearity error



x Floor-sensor distance [mm]
 y Linearity error [mm]
 A Typical value
 B max.
 C min.

Sensor characteristic curve with one trace



x Position of the trace's left edge below the sensor [mm]
 y Edge position
 A Measurement value of left edge
 B Measurement value of right edge

- C Position of left edge
D Position of right edge

Notes

Observe intended use!


- This product is not a safety sensor and is not intended as personnel protection.
- The product may only be put into operation by competent persons.
- Only use the product in accordance with its intended use.

For UL applications:

- For UL applications, use is only permitted in Class 2 circuits in accordance with the NEC (National Electric Code).
- Max. ambient temperature: 50°C
- "Only for use in NFPA 79 applications"
- "Only suitable for indoors"

Accessories

Connection technology - Connection cables

	Part no.	Designation	Article	Description
	50135121	KD U-M12-8A-P1-020	Connection cable	Connection 1: Connector, M12, Axial, Female, A-coded, 8 -pin Connection 2: Open end Shielded: No Cable length: 2,000 mm Sheathing material: PUR

Note

A list with all available accessories can be found on the Leuze electronic website in the Download tab of the article detailed page.