

## SIEMENS CONTACTOR SUPPRESSOR

RC, 230/400VAC

230 V AC/DC

400 V AC/DC

RC

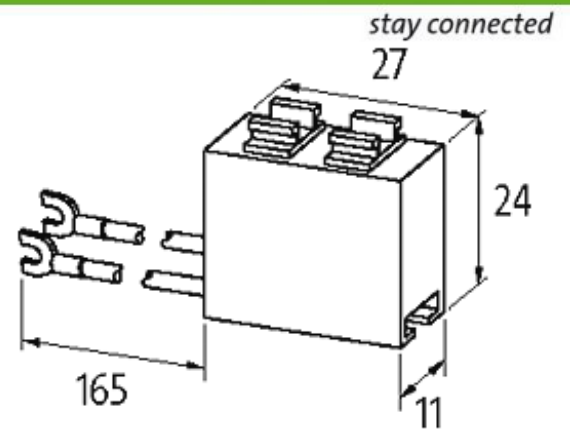
For other configurations and voltages, please inquire

### [Link to Product](#)

#### Illustration



RC



Product may differ from Image

### Approvals



### Appropriate contactors

3 TH 3/4/8; 3 TF 30...45; 3 TB 40...3 TB 44

### Technical Data

Damping factor	approx. 1.5 × UN
Material	Flame retardant plastic acc. to (UL 94)
Connection wires	self-securing cable forks

### General data

Temperature range	-20...+70 °C
Dimensions H × W × D	11×27×24 mm

### Commercial data

country of origin	CZ
customs tariff number	85363010
minimum order quantity	1