

SITOR FUSE-LINK 250A, AC 800V, FOR 6QG12



Figure similar

Model		
product brand name		SENTRON
Design of an identification indicator		others
Design of the fuse link		Fuses for special applications
General technical data		
Size of fuse system / acc. to DIN EN 60269-1		others
Operating class of the fuse link		aR
circuit-breaker / Design		3NE
Switching capacity		
<b>Switching capacity current</b>		
<ul style="list-style-type: none"> <li>acc. to IEC 60947-2 / Rated value</li> </ul>	kA	100
Dissipation		
<b>Active power loss</b>		
<ul style="list-style-type: none"> <li>for rated value of the current / with AC / in hot operating state / per pole</li> </ul>	W	105
Electricity		
rated current $I_n$ / IEC, DIN/VDE / at 40 Cel	A	250
Current / with AC / Rated value	A	250
Mechanical Design		
mounting position		Any, preferably vertical
Environmental conditions		
<b>Ambient temperature</b>		
<ul style="list-style-type: none"> <li>minimum</li> </ul>	°C	-20

• maximum

°C 50

## Certificates

### Equipment marking

- acc. to DIN EN 61346-2
- acc. to DIN EN 81346-2

F  
F

### General Product Approval

### Declaration of Conformity



## Further information

### Information- and Downloadcenter (Catalogs, Brochures,...)

<http://www.siemens.com/lowvoltage/catalogs>

### Industry Mall (Online ordering system)

<https://eb.automation.siemens.com/mall/en/WW/Catalog/Product/3NE43276B>

### Service&Support (Manuals, Certificates, Characteristics, FAQs,...)

<http://support.automation.siemens.com/WW/view/en/3NE43276B/all>

### Image database (product images, 2D dimension drawings, 3D models, device circuit diagrams, ...)

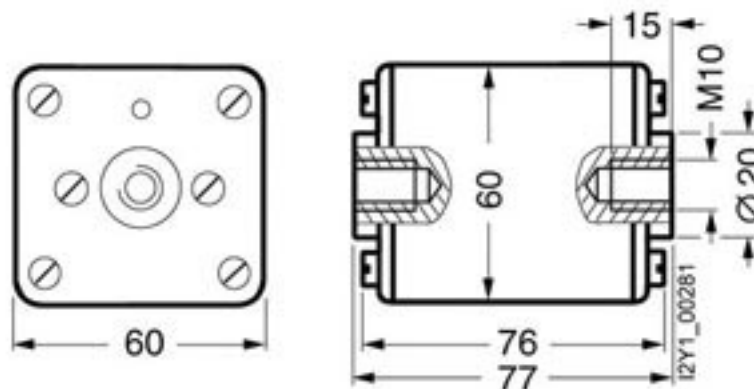
[http://www.automation.siemens.com/bilddb/cax\\_en.aspx?mlfb=3NE43276B](http://www.automation.siemens.com/bilddb/cax_en.aspx?mlfb=3NE43276B)

### CAX-Online-Generator

<http://www.siemens.com/cax>

### Tender specifications

<http://ausschreibungstexte.siemens.com/tiplv>



last modified:

11.03.2015