



REMOTE SWITCH WITH 1NO WITH CENTRAL ON-OFF FUNCTION CONTACT FOR AC 230,400V 16A CONTROL AC 230V

Figure similar

Model		
product brand name		SENTRON
Latching relay design		mechanical for central control
General technical data		
Electrical endurance (switching cycles)		50 000
Galvanic isolation / between magnet coil and contact		Yes
Switching voltage / of the contacts / with AC / minimum	V	10
Switching current / with AC / per contact / minimum	mA	100
Voltage		
Continuous voltage fuse version		Yes
Surge voltage resistance / Rated value	kV	4
Protection class		
Protection class IP		IP20, with connected conductors
Switching capacity		
<b>Switching capacity apparent power</b>		
• for fluorescent lamp load with DUO circuit	V·A	700
• for fluorescent lamp load with parallel compensation	V·A	300
• for uncompensated fluorescent lamp load	V·A	400
<b>Switching capacity current</b>		
• at cos phi 0.6	A	16
• Rated value	A	16

Switching capacity active power / with filament lamp load	W	2 000
<b>Control current</b>		
<b>Type of voltage</b>		
• of control voltage_1		AC
• of control voltage_2		AC
<b>Control voltage</b>		
• _1 / initial value	V	184
• _1 / Full-scale value	V	253
• _1 / setpoint	V	230
• _2 / initial value	V	184
• _2 / Full-scale value	V	253
• _2 / setpoint	V	230
<b>Control voltage frequency</b>		
• _1 / initial value	Hz	50
• _1 / Full-scale value	Hz	50
• _2 / initial value	Hz	50
• _2 / Full-scale value	Hz	50
<b>Operating range factor / of control voltage_2</b>		0.8
<b>Operating range factor control supply voltage rated value / with AC / at 50 Hz</b>		
• initial value		0.8
• Full-scale value		1.1
<b>Product details</b>		
Product component / Switch position indicator		Yes
<b>Product function</b>		
Product function / direct operation		Yes
<b>Number</b>		
Number of terminals		6
Number of NC contacts		0
Number of NO contacts		1
Number of CO contacts		0
<b>Mechanical Design</b>		
Width of opening / of the contacts	mm	1.2
Mounting height	mm	90
mounting position		any
Installation depth	mm	70
Number of width units		1.5
Mounting type		DIN rail
Required spacing / for live parts	mm	6

## Environmental conditions

### Ambient temperature

• minimum	°C	-10
• maximum	°C	40
• with relative humidity 95% / acc. to DIN 50015	°C	35

## Certificates

### General Product Approval



[other](#)

### Declaration of Conformity



EG-Konf.

### Test Certificates

[other](#)

## Further information

### Information- and Downloadcenter (Catalogs, Brochures,...)

<http://www.siemens.com/lowvoltage/catalogs>

### Industry Mall (Online ordering system)

<https://eb.automation.siemens.com/mall/en/WW/Catalog/Product/5TT41210>

### Service&Support (Manuals, Certificates, Characteristics, FAQs,...)

<http://support.automation.siemens.com/WW/view/en/5TT41210/all>

### Image database (product images, 2D dimension drawings, 3D models, device circuit diagrams, ...)

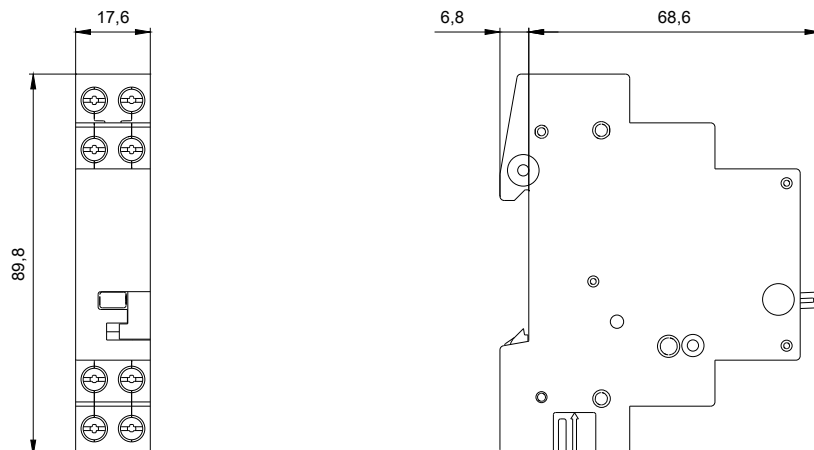
[http://www.automation.siemens.com/bilddb/cax\\_en.aspx?mlfb=5TT41210](http://www.automation.siemens.com/bilddb/cax_en.aspx?mlfb=5TT41210)

### CAX-Online-Generator

<http://www.siemens.com/cax>

### Tender specifications

<http://ausschreibungstexte.siemens.com/tiplv>



last modified:

11.03.2015