

CLIFF

METAL FEEDTHROUGH CONNECTORS

Construction is of rugged zinc/nickel metal XLR housings fitting the universally popular 23.6mm diameter XLR panel cutouts. These connectors can be mounted at rear or front of panel.



CP30116 - XLR HDMI A-A FT



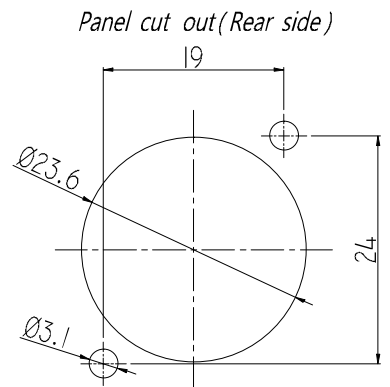
Part No. Description
CP30112 - Sealing Cover



CP30122 - XLR HDMI A-A FT BLACK METAL



CP30117 - XLR FIREWIRE FT



CP30118 - XLR 50 OHM BNC FT
Note: Black sealing cap is NOT available for BNC models.



CP30120 - XLR 50 OHM BNC FT BLACK METAL
Note: Black sealing cap is NOT available for BNC models.



CP30119 - XLR 75 OHM BNC FT
Note: Black sealing cap is NOT available for BNC models.



CP30121 - XLR 75 OHM BNC FT BLACK METAL
Note: Black sealing cap is NOT available for BNC models.