

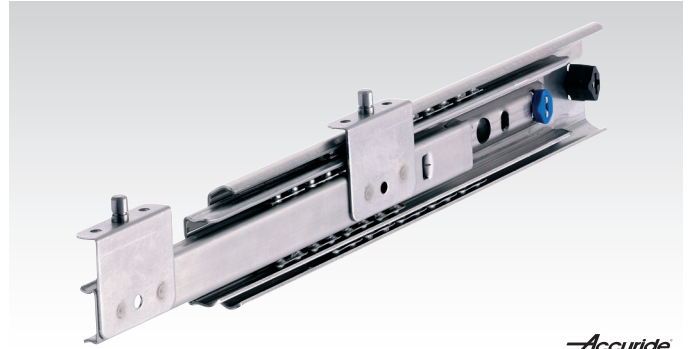
Slides DS 5322, Width 20.7 mm, to 120 kg, Stainless Steel, Over Extension

Material: Stainless steel 1.4301 (AISI 304).



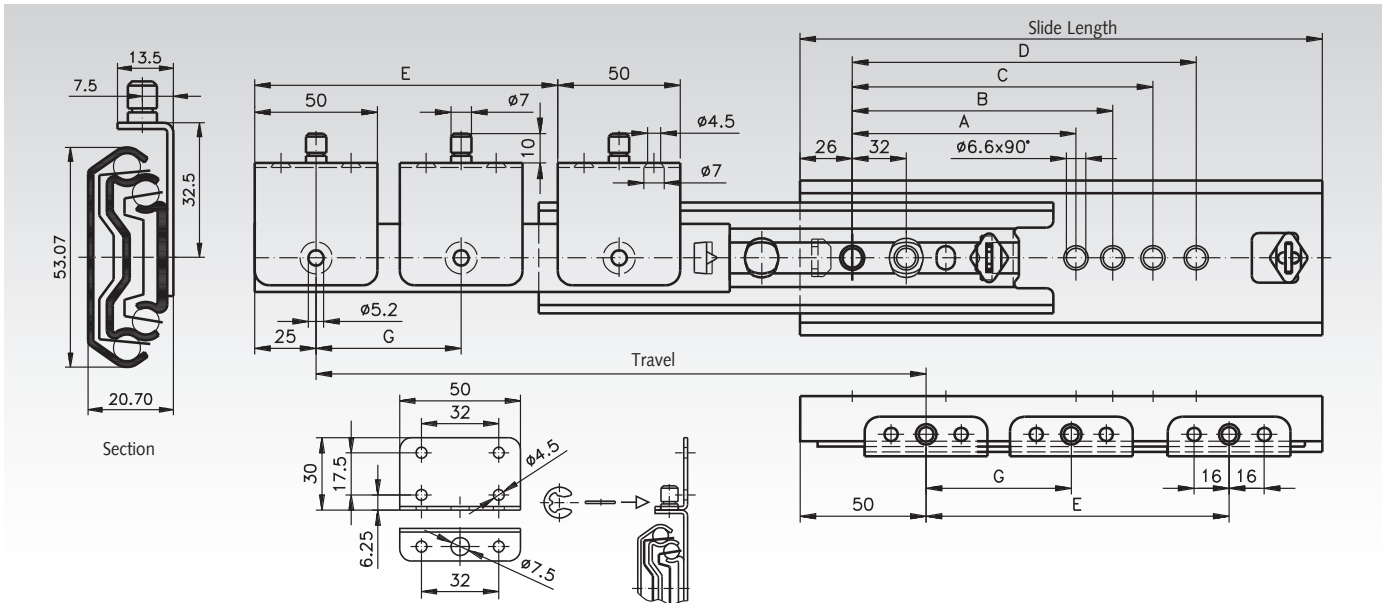
Telescopic ball bearing slides for applications in the industrial and electronics sector.

- Ideal for environments where mild steel might corrode.
- Hold-in in closed position.
- Easily mounted brackets with bolts.
- Especially long service life, up to 80,000 cycles.
- Temperature range: -20°C to +70°C.

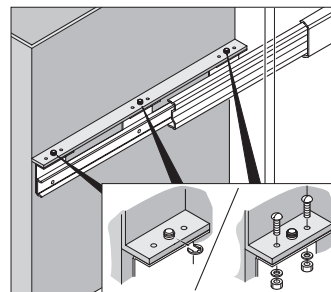
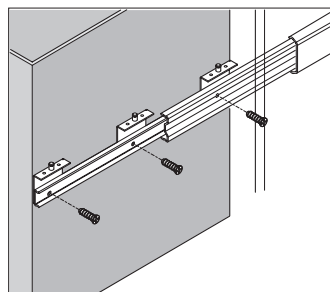
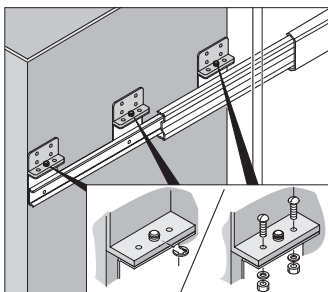


Accuride

Ordering details: e.g.: Prod. No. 649 048 30, Slides DS 5322



Product No. per Pair	Slide Length mm	Travel +/-3.2 mm	A mm	B mm	C mm	D mm	E mm	G mm	Load Rating per Pair kg	Weight per Pair kg
649 048 30	300	342	-	-	192	224	177	-	80	1,83
649 048 35	350	392	-	-	256	288	227	-	90	2,15
649 048 40	400	442	160	192	288	320	277	-	100	2,45
649 048 45	450	492	192	224	352	384	327	-	110	2,74
649 048 50	500	542	192	224	384	416	377	-	120	3,04
649 048 55	550	592	224	256	448	480	427	-	110	3,33
649 048 60	600	642	256	288	480	512	477	238,5	100	3,74
649 048 70	700	742	320	352	608	640	577	288,5	70	4,37
649 048 80	790	822	352	384	672	704	677	338,5	50	4,92



Note

Recommended mount: M5 countersunk / 6mm countersunk Euro screw.
Use all mounting positions to achieve the max. load rating.