

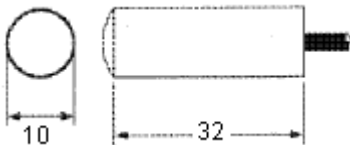
IED12-FEC
SPT3A-FEC



Features:

- Long range (20 m using IED12, SPT3A)
- Transmitters and Receivers sealed to IP67
- Small Photoelectrics (Ø10 × 30 mm long)
- Easy to install
- For doors, elevators and many other applications
- Automatic sensitivity setting amplifiers available
- Cylindrical, threaded or rectangular style sensors

Dimensions (Sensors)

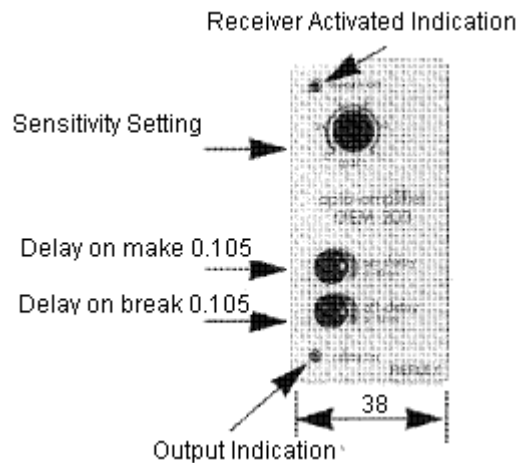
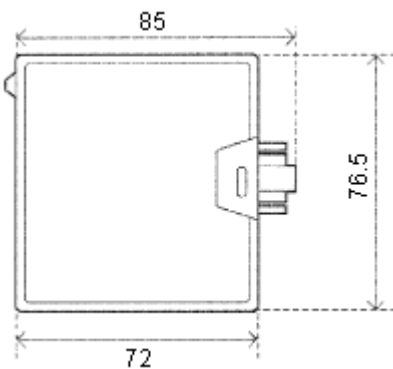


Dimensions : Millimetres

OEM203N-240A

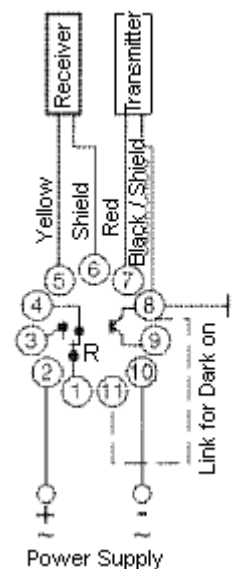


Dimensions and Front Panel Description (Amplifiers)



Dimensions : Millimetres

Wiring



Technical Specifications - Amplifiers

Type Number	OEM203N*
Power Supply	240 V ac $\pm 10\%$ (other voltages on request)
Power Consumption	2.8 VA
Output	Relay SPDT 250 V ac 8 A Resistive NPN 50 mA 30 V dc
Time Function	Delay on make 0 to 105 Delay on break 0 to 105
Response Time	<65 ms
Indication	LED
Sensitivity	Potentiometer
Operating Temperature	-20°C to +60°C
Housing	ABS
Light Source	Infrared modulated LED
Connection	11 - Pin Socket

*OEM203N are automatic sensitivity setting

Technical Specifications - Transmitters / Receivers (Cylindrical / Threaded Types)

	Transmitters	Receivers
Type Number	IED12	SPT3A
Range; Throughbeam Diffuse white A4 paper Diffuse black A4 paper Retro-Reflective using K2 Reflector	-	20 m 2 m 0.65 m
Light Source	Infrared LED Modulated	
Operating Temperature	-20°C to +60°C	
Housing	Noryl	
Protection	IP67	
Connection	Black PVC Cable 5 m long 2 x 0.22 mm ²	Black PVC Cable 5 m long 0.22 mm ² + Shield

* IED Transmitters are used for all SPT receivers

Part Number Table

Description	Part Number
Photoswitch, Transmitter	IED12-FEC
Photoswitch, Receiver	SPT3A-FEC
Amplifier, Beam Photoswitch	OEM203N-240A

Important Notice : This data sheet and its contents (the "Information") belong to the members of the Premier Farnell group of companies (the "Group") or are licensed to it. No licence is granted for the use of it other than for information purposes in connection with the products to which it relates. No licence of any intellectual property rights is granted. The Information is subject to change without notice and replaces all data sheets previously supplied. The Information supplied is believed to be accurate but the Group assumes no responsibility for its accuracy or completeness, any error in or omission from it or for any use made of it. Users of this data sheet should check for themselves the Information and the suitability of the products for their purpose and not make any assumptions based on information included or omitted. Liability for loss or damage resulting from any reliance on the Information or use of it (including liability resulting from negligence or where the Group was aware of the possibility of such loss or damage arising) is excluded. This will not operate to limit or restrict the Group's liability for death or personal injury resulting from its negligence. Multicomp is the registered trademark of the Group. © Premier Farnell plc 2012.