

# 3M™ D Sub EMI Junction Shell

Metalized Plastic



- Protection from EMI/ESD
- Easy assembly helps reduce time and labor to ensure low applied cost
- Light weight, compact design
- Strain relief compensates for multiple cable diameters
- Jackscrews provide positive retention
- For regulatory information about this product, visit [3M.com/regs](http://3M.com/regs) or contact your 3M representative

Date Modified: February 14, 2019

TS-0032-C  
Sheet 1 of 2

---

## Physical

### Shell:

Material: ABS

Plating: Nickel over Copper

### Compression Insert:

Material: Thermoplastic Elastometer

Flammability: UL 94V-0

Durometer: 75 ± 5

**Hardware:** (2) Jackscrews #4-40 × .438

(2) Saddle Washers

(2) Nuts 4-40 UNC for 9, 15 & 25 position

(3) Nuts 4-40 UNC for 37 position

(2) Screws 4-40 UNC for 9, 15 & 25 position

(3) Screws 4-40 UNC for the 37 position

Material: Steel

Plating: Zinc

**Mounting Hardware:** See Specification Sheet TS-0142

---

## Environmental

**Temperature Rating:** 0°C to +75°C

---

**3M**

Electronics Materials Solutions Division  
Interconnect Solutions  
<http://www.3M.com/interconnect/>

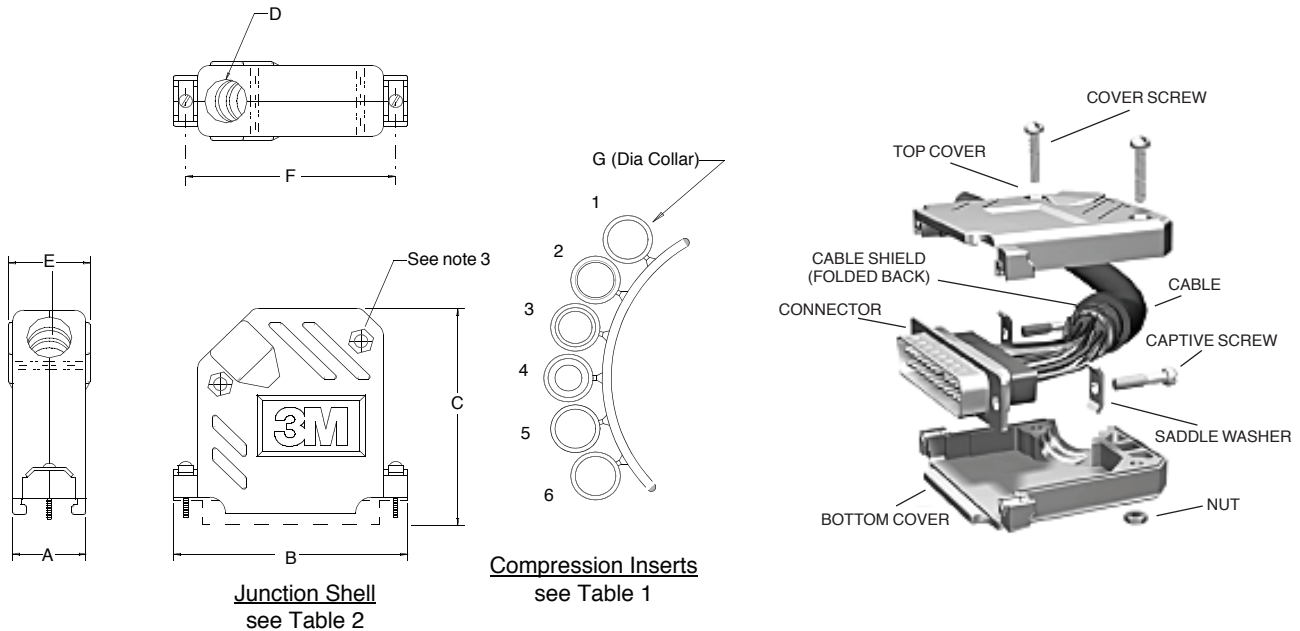
3M is a trademark of 3M Company.  
For technical, sales or ordering information call  
**800-225-5373**

# 3M™ D Sub EMI Junction Shell

Metalized Plastic

**Table 1 - Compression Insert Dimensions**

| Insert for | 1                  |                    | 2                  |                    | 3                  |                    | 4                  |                    | 5                  |                    | 6                  |                   | G                  |
|------------|--------------------|--------------------|--------------------|--------------------|--------------------|--------------------|--------------------|--------------------|--------------------|--------------------|--------------------|-------------------|--------------------|
|            | OD                 | ID                 | OD                 | ID                 | OD                 | ID                 | OD                 | ID                 | OD                 | ID                 | OD                 | ID                |                    |
| 3357-6509  | 0.475<br>[ 12.07 ] | 0.320<br>[ 8.13 ]  | 0.360<br>[ 9.14 ]  | 0.315<br>[ 8.00 ]  | 0.360<br>[ 9.14 ]  | 0.285<br>[ 7.24 ]  | 0.360<br>[ 9.14 ]  | 0.255<br>[ 6.48 ]  | 0.360<br>[ 9.14 ]  | 0.210<br>[ 5.33 ]  | N/A                | N/A               | 0.475<br>[ 12.07 ] |
| 3357-6515  |                    |                    |                    |                    |                    |                    |                    |                    |                    |                    |                    |                   |                    |
| 3357-6525  | 0.600<br>[ 15.24 ] | 0.450<br>[ 11.43 ] | 0.450<br>[ 11.43 ] | 0.410<br>[ 10.41 ] | 0.450<br>[ 11.43 ] | 0.370<br>[ 9.40 ]  | 0.450<br>[ 11.43 ] | 0.300<br>[ 7.62 ]  | 0.450<br>[ 11.43 ] | 0.230<br>[ 5.84 ]  | N/A                | N/A               | 0.600<br>[ 15.24 ] |
| 3357-6537  | 0.810<br>[ 20.57 ] | 0.650<br>[ 16.51 ] | 0.700<br>[ 17.78 ] | 0.620<br>[ 15.75 ] | 0.655<br>[ 16.64 ] | 0.570<br>[ 14.48 ] | 0.655<br>[ 16.64 ] | 0.500<br>[ 12.70 ] | 0.655<br>[ 16.64 ] | 0.425<br>[ 10.80 ] | 0.655<br>[ 16.64 ] | 0.350<br>[ 8.89 ] | 0.810<br>[ 20.57 ] |



**Table 2 - Junction Shell**

| 3M Part Number | Dimensions       |                  |                   |                  |                   |                    | Cable O.D. Range  |                   |
|----------------|------------------|------------------|-------------------|------------------|-------------------|--------------------|-------------------|-------------------|
|                | A                | B                | C                 | D                | E                 | F                  | Min               | Max               |
| 3357-6509      | 0.64<br>[ 16.3 ] | 1.22<br>[ 31.0 ] | 1.58<br>[ 40.13 ] | 0.40<br>[ 10.2 ] | 0.64<br>[ 16.3 ]  | 0.984<br>[ 24.99 ] | 0.210<br>[ 5.33 ] | 0.320<br>[ 8.13 ] |
| 3357-6515      |                  | 1.54<br>[ 39.1 ] | 1.88<br>[ 47.75 ] |                  |                   | 1.312<br>[ 33.32 ] |                   |                   |
| 3357-6525      |                  | 2.09<br>[ 53.1 ] | 1.71<br>[ 47.75 ] | 0.52<br>[ 13.2 ] | 0.71<br>[ 18.0 ]  | 1.857<br>[ 47.17 ] | 0.23<br>[ 5.84 ]  | 0.45<br>[ 11.43 ] |
| 3357-6537      |                  | 2.73<br>[ 69.3 ] | 2.12<br>[ 53.85 ] | 0.73<br>[ 18.5 ] | 0.91<br>[ 23.11 ] | 2.500<br>[ 63.50 ] | 0.35<br>[ 8.89 ]  | 0.65<br>[ 16.51 ] |

Inch  
[mm]

Tolerance Unless Noted

|      | .0  | .00  | .000  |
|------|-----|------|-------|
| Inch | ±.1 | ±.01 | ±.005 |

[ ] Dimensions for Reference Only

Note:

1. Compression inserts cannot be ordered separately.
2. Use applicable Jack Screw or Jack Socket Kit mounting hardware.
3. The 37 position shell has 3 cover screw holes.

## Ordering Information

**3357 - 65XX - 1C**

Connector Size  
09 = 9 Position  
15 = 15 Position  
25 = 25 Position  
37 = 37 Position

TS-0032-C  
Sheet 2 of 2

**Safety Data Sheet:** Consult Safety Data Sheet before use.

**Regulatory:** For regulatory information about this product, contact your 3M representative.

**Technical Information:** The technical information, recommendations and other statements contained in this document are based upon tests or experience that 3M believes are reliable, but the accuracy or completeness of such information is not guaranteed.

**Product Use:** Many factors beyond 3M's control and uniquely within user's control can affect the use and performance of a 3M product in a particular application. Given the variety of factors that can affect the use and performance of a 3M product, user is solely responsible for evaluating the 3M product and determining whether it is fit for a particular purpose and suitable for user's method of application.

**Warranty, Limited Remedy, and Disclaimer:** Unless an additional warranty is specifically stated on the applicable 3M product packaging or product literature, 3M warrants that each 3M product meets the applicable 3M product specification at the time 3M ships the product. 3M MAKES NO OTHER WARRANTIES OR CONDITIONS, EXPRESS OR IMPLIED, INCLUDING, BUT NOT LIMITED TO, ANY IMPLIED WARRANTY OR CONDITION OF MERCHANTABILITY OR FITNESS FOR A PARTICULAR PURPOSE OR ANY IMPLIED WARRANTY OR CONDITION ARISING OUT OF A COURSE OF DEALING, CUSTOM OR USAGE OR TRADE. If the 3M product does not conform to this warranty, then the sole and exclusive remedy is, at 3M's option, replacement of the 3M product or refund of the purchase price.

**Limitation of Liability:** Except where prohibited by law, 3M will not be liable for any loss or damage arising from the 3M product, whether direct, indirect, special, incidental or consequential, regardless of the legal theory asserted, including warranty, contract, negligence or strict liability.



**3M Electronics Materials Solutions Division**

6801 River Place Blvd.  
Austin, TX 78726-9000  
U.S.A.  
1-800-225-5373  
[www.3m.com/interconnect/](http://www.3m.com/interconnect/)

Please recycle. Printed in USA.  
© 3M 2019.  
All rights reserved.

3M is a trademark of 3M Company.