

# 60W AC-DC Installation Power Supply

## 12V DC, 5A

**multicomp** PRO

**RoHS  
Compliant**



### Features

- Level VI
- Universal / Full range AC input
- Fixed AC mains lead (Bare Ends)
- Class II power (no earth)
- Small & Compact design

### Description

This of 60 Watt AC/DC Installation Power supplies are offered in a low profile compact enclosure with 4 mounting tabs, a fixed AC Input Cable and DC Output Cable, Single output voltage between 5V DC – 24V DC. These highly reliable power supplies can be used in many indoor applications such as CCTV, Access control and Building Management Systems.

### Specifications

Voltage	12V DC
Current Max	5A
Power	60W
Line Regulation	±1%
Ripple & Noise	150mV
Protections	Over Voltage, Short Circuit, Temperature
Case Size	114mm (L) × 51mm (W) × 32mm (H)
Weight	370g
DC Cord	1.5m
DC Plug	2.1 × 5.5 × 12 C+ve - Right Angle
Rated Input Voltage	100V AC 240V AC
Full Input Voltage Range	90V AC to 264V AC
Full Frequency Range	47Hz to 63Hz
Efficiency	88% Min
Input Current RMS Max	1.5A Max. @ 100V AC to 240V AC
Inrush Current	40A Max. @ 264V AC
Leakage Current	<0.25mA
AC Mains Lead	2m Bare Ends
Hi-Pot	3000V AC 10mA 1Min.
Operating Temperature	0°C to +40°C
Storage Temperature	-20°C to +80°C
Operating Humidity	10% to 90%
Storage Humidity	5% to 95%
Safety Approvals	CE
EMI Standards	EN55032, EN61000-3-2
MTBF	50K

Newark.com/multicomp-pro  
Farnell.com/multicomp-pro  
Element14.com/multicomp-pro

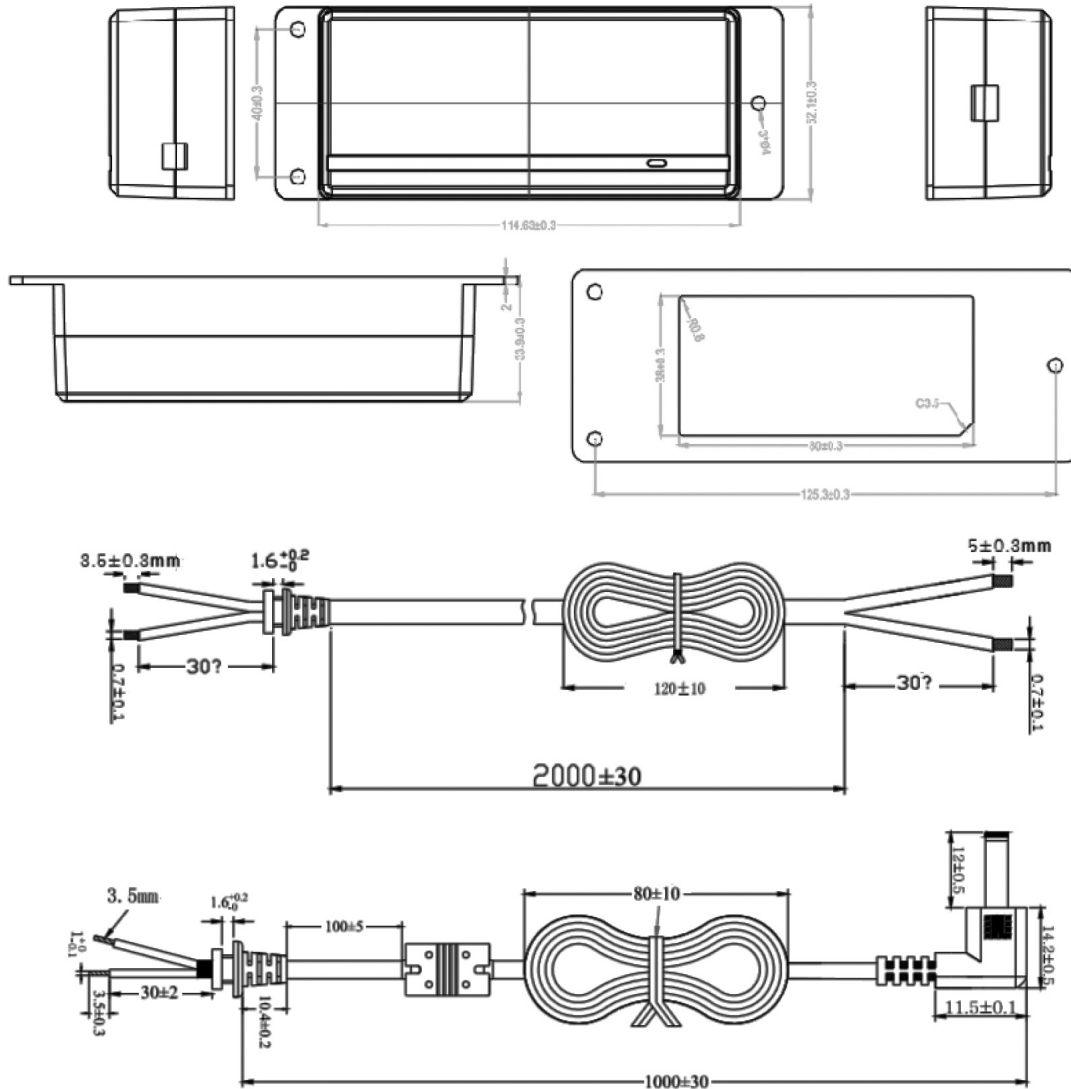
**multicomp** PRO

# 60W AC-DC Installation Power Supply

## 12V DC, 5A

**multicomp** PRO

### Diagram



Dimensions : Millimetres

### Part Number Table

Description	Part Number
Installation Power Supply, 60W, 12V DC, 5A, Free End	MP001989

**Important Notice :** This data sheet and its contents (the "Information") belong to the members of the AVNET group of companies (the "Group") or are licensed to it. No licence is granted for the use of it other than for information purposes in connection with the products to which it relates. No licence of any intellectual property rights is granted. The Information is subject to change without notice and replaces all data sheets previously supplied. The Information supplied is believed to be accurate but the Group assumes no responsibility for its accuracy or completeness, any error in or omission from it or for any use made of it. Users of this data sheet should check for themselves the Information and the suitability of the products for their purpose and not make any assumptions based on information included or omitted. Liability for loss or damage resulting from any reliance on the Information or use of it (including liability resulting from negligence or where the Group was aware of the possibility of such loss or damage arising) is excluded. This will not operate to limit or restrict the Group's liability for death or personal injury resulting from its negligence. Multicomp Pro is the registered trademark of Premier Farnell Limited 2019.

Newark.com/multicomp-pro  
 Farnell.com/multicomp-pro  
 Element14.com/multicomp-pro

**multicomp** PRO