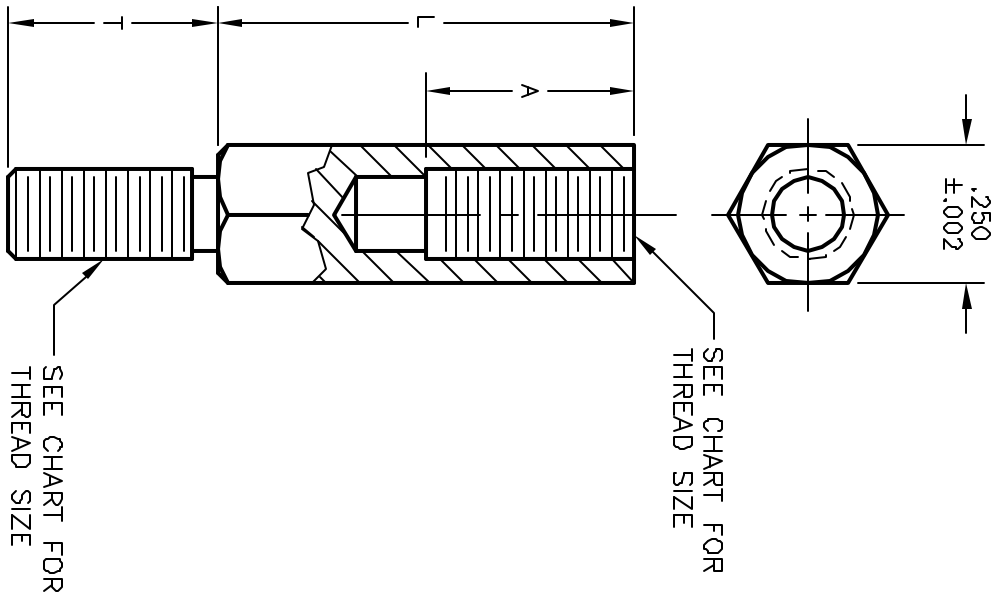


ALL RIGHTS RESERVED. NO PORTION OF THIS PUBLICATION, WHETHER IN WHOLE OR IN PART CAN BE REPRODUCED WITHOUT THE EXPRESS WRITTEN CONSENT OF SPC TECHNOLOGY.

REVISONS		DOC. NO.	DATE	CHECKED	DATE	APPROVD	DATE
DGP #	REV	DESCRIPTION	DRAWN	DATE	CHECKD	DATE	DATE
1963	A	RELEASED	JJM	10/09/08	JJM	10/09/08	JJM



SPC TYPE NO.	LENGTH (L)	INTERNAL LENGTH (A)	EXTERNAL LENGTH (T)	THREAD SIZE
SPC21573	1/4 (.250)	.130/.150		
SPC21575	3/8 (.375)	1/4 (.250)		
SPC21572	1/2 (.500)			
SPC21576	5/8 (.625)		3/16 (.187)	4-40
SPC21574	3/4 (.750)	1/4 (.250)		
SPC21571	1 (1.000)			
SPC21579	1/4 (.250)	.130/.150		
SPC21581	3/8 (.375)	1/4 (.250)		
SPC21578	1/2 (.500)			
SPC21582	5/8 (.625)		1/4 (.250)	6-32
SPC21580	3/4 (.750)	3/8 (.375)		
SPC21583	7/8 (.875)			
SPC21577	1 (1.000)			
SPC21587	3/8 (.375)	1/4 (.250)		
SPC21585	1/2 (.500)			
SPC21586	3/4 (.750)	3/8 (.375)	3/8 (.375)	8-32
SPC21588	7/8 (.875)			
SPC21584	1 (1.000)			

**SPECIFICATIONS:**

1. MATERIAL: ALUMINUM
2. FINISH: CLEAR IRIDITE

**DISCLAIMER:**  
 ALL STATEMENTS AND TECHNICAL INFORMATION CONTAINED HEREIN ARE BASED UPON INFORMATION AND/OR TESTS WE BELIEVE TO BE ACCURATE AND RELIABLE. SINCE CONDITIONS OF USE ARE BEYOND OUR CONTROL, THE USER SHALL DETERMINE THE SUITABILITY OF THE PRODUCT FOR THE INTENDED USE AND ASSUME ALL RISK AND LIABILITY WHATSOEVER IN CONNECTION THEREWITH.

DRAWN BY:	DATE:
Jason Nash	10/08/08
CHECKED BY:	DATE:
JJM	10/08/08
APPROVED BY:	DATE:
JJM	10/08/08

**SPC TECHNOLOGY**

DRAWING TITLE: **HEX MALE FEMALE STANDOFF**

SIZE	DWG. NO.	ELECTRONIC FILE	REV
A	TA-952	TA-952.DWG	A
SCALE:	NTS	U.O.M.: INCHES	SHEET: 1 OF 1