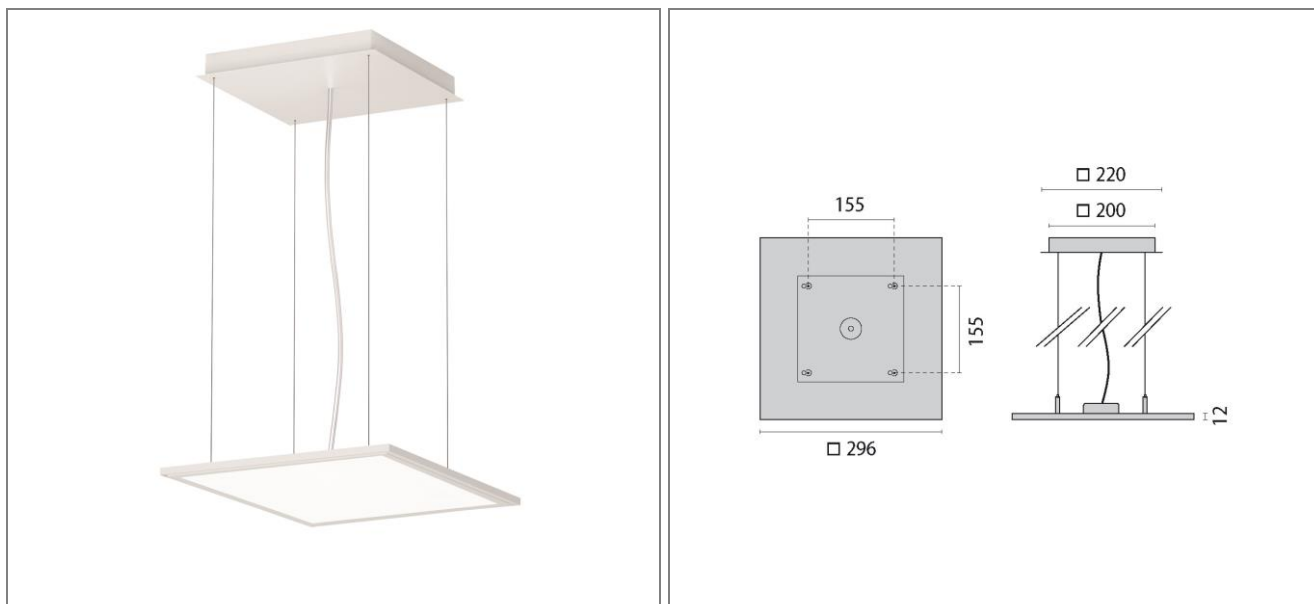


ART.: 8300291236300

FL300PL LED OPAL COVER



Art.: 8300291236300, FL300 PL LED, Opal-white pmma diffuser, 27W, 3000K, Driver dali, Direct, White, Inlayed LED luminaire for indoors, comprising: Housing made of extruded aluminium profile, powder-coated, LED Sidelight-Technology and light orienting plastic optic for a homogenous light distribution over the entire area of the cover Direct light distribution, Colour rendering index Ra > 80, Colour tolerance according to MacAdam ≤ 3 SDCM Also dimmable via TouchDIM®, Complete with steel suspension cable (1.5 m), transparent power cord and ceiling rose, Complete with electric converter

Connected load	27 W
Luminous flux	2250 lm
Efficiency	83 lm/W
Colour temperature	3000K
Colour rendering (CRI)	80
IP class	20
Nominal voltage	220 – 240 V
Colour	WH1
UGR	21,1

