

MSR Gold™ MiniFastFit (Touring/Stage)

MSR Gold™ 700/2 MiniFastFit 1CT



Thanks to the specially designed lamp base, the MSR Gold™ MiniFastFit takes just seconds to replace, to help ensure non-stop clubbing entertainment. In addition, the innovative gold plated pins ensure excellent current transfer to prolong lamp and lamp holder lifetimes and thereby reduce lamp replacement costs. Easy handling and small compact fixture designs are allowed by the lamps compact size, while the very short arc provides a high perceived brightness and high beam intensity.

Product data

• General Characteristics

System Description	MiniFastFit
Cap-Base	PGJX28
Cap-Base Information	PGJX28
Execution	-
Operating Position	any
Main Application	Entertainment
Life to 50% failures EM	750 hr

• Light Technical Characteristics

Color Code	2
Color Rendering Index	75 Ra8
Color Temperature	7200 K
Color Temperature Technical	7200 K
Chromaticity Coordinate X	300 -
Chromaticity Coordinate Y	324 -
Luminous Flux Lamp EM	44000 (min), 47000 (nom) Lm
Luminous Efficacy Lamp EM	69 Lm/W

• Electrical Characteristics

Lamp Wattage	700 W
Lamp Wattage Technical	700 W
Lamp Current	10.2 A
Ignition Supply Voltage	198 (min) V

Dimmable Yes

• Luminaire Design Requirements

Pinch Temperature	500 (max) C
Bulb Temperature	950 (max) C

• Product Dimensions

Overall Length C	112 (max) mm
Diameter D	23.2 (max) mm
Width F	35.3 (min), 36 (nom), 36.5 (max) mm
Light Center Length L	55 (min), 56 (nom), 57 (max) mm
Arc Length O	3.8 mm

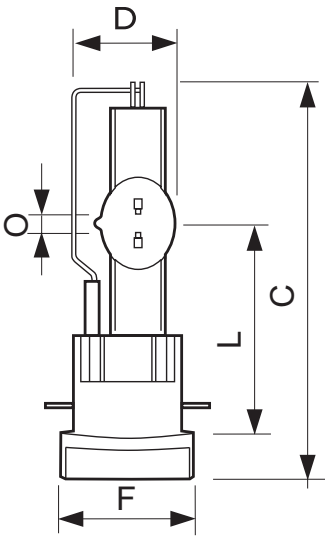
• Product Data

Order code	928199905115
Full product code	928199905115
Full product name	MSR Gold™ 700/2 MiniFastFit 1CT
Order product name	MSR Gold 700/2 MiniFastFit 1CT/4
Pieces per pack	1
Packing configuration	4
Packs per outerbox	4
Bar code on pack - EAN1	8718291221173
Bar code on outerbox - EAN3	8718291221180
Logistic code(s) - 12NC	928199905115
Net weight per piece	0.052 kg

PHILIPS

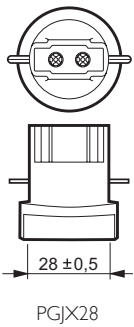
MSR Gold™ MiniFastFit (Touring/Stage)

Dimensional drawing

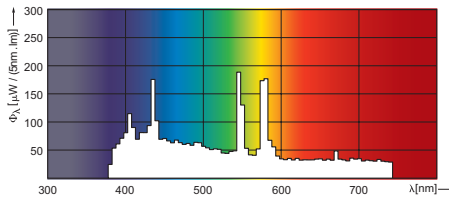
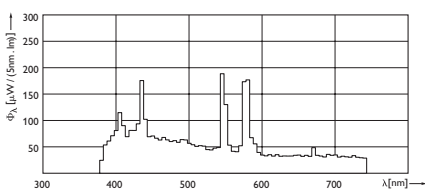


MSR Gold™ 700/2 MiniFastFit 1CT

Product	A (Min)	A (Norm)	A (Max)	C (Max)	D (Max)	D1 (Norm)	F (Min)	F (Norm)	F (Max)	L (Min)	L (Norm)	L (Max)	O (Norm)
MSR GOLD 700/2 MiniFastFit	-	-	-	112	23.2	-	35.3	36	36.5	55	56	57	3.8



Photometric data



MSR Gold™ 575/2 MiniFastFit, MSR Gold™ 700/2 MiniFastFit MSR Gold™ 575/2 MiniFastFit, MSR Gold™ 700/2 MiniFastFit



© 2014 Koninklijke Philips N.V. (Royal Philips)
All rights reserved.

Specifications are subject to change without notice. Trademarks are the property of Koninklijke Philips N.V. (Royal Philips) or their respective owners.

www.philips.com/lighting

2014, October 31
data subject to change