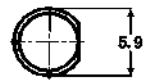
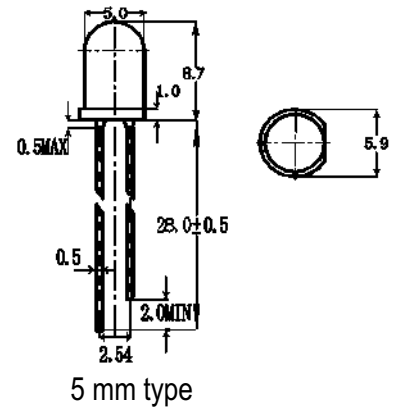
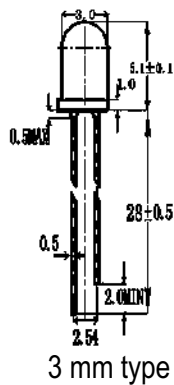


## Round LED 3 mm / 5 mm Tinted Diffused Package No.: 2111O151 ... 2111O160



This round LED is perfect for standard applications with semiconductor light. Please note that LEDs always need to be driven with current-limitation (pre-resistor or constant-current-source) to avoid any damages of the component. Anode = positive / Cathode = negative voltage. LEDs are not shock-sensitive and have a low power consumption.

**Technical data:** Viewing angle: 30° • Operating temp.: -25 ... +80°C • Reverse voltage: max. 5 V • Reverse current: max. 1.1 µA • Lead soldering temp. max. 270°C (5 s).

Part No.	Diameter	Color	Wavelength (typ)	Package-type	I <sub>F</sub> (typ)	U <sub>F</sub> (typ)	I <sub>v</sub> (typ)
2111O151	3 mm	Blue	460 nm	Diffused-Blue	20 mA	3.0 V	1300 mcd
2111O152	3 mm	Green	520 nm	Diffused-Green	20 mA	3.0 V	2500 mcd
2111O153	3 mm	Yellow-Green	569 nm	Diffused-Green	20 mA	2.0 V	700 mcd
2111O154	3 mm	Yellow	590 nm	Diffused-Yellow	20 mA	2.0 V	700 mcd
2111O155	3 mm	Red	625 nm	Diffused-Red	20 mA	2.0 V	700 mcd
2111O156	5 mm	Blue	460 nm	Diffused-Blue	20 mA	3.0 V	1300 mcd
2111O157	5 mm	Green	520 nm	Diffused-Green	20 mA	3.0 V	2500 mcd
2111O158	5 mm	Yellow-Green	569 nm	Diffused-Green	20 mA	2.0 V	700 mcd
2111O159	5 mm	Yellow	590 nm	Diffused-Yellow	20 mA	2.0 V	700 mcd
2111O160	5 mm	Red	625 nm	Diffused-Red	20 mA	2.0 V	700 mcd