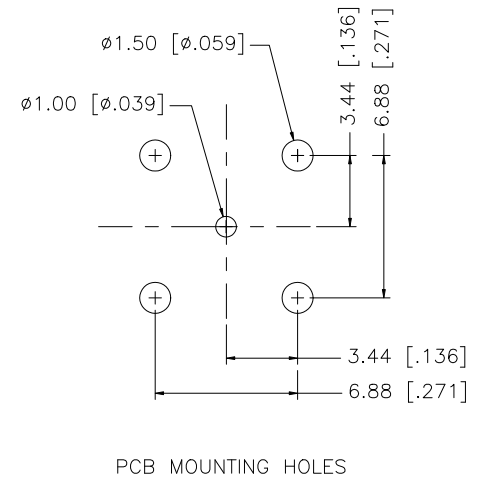
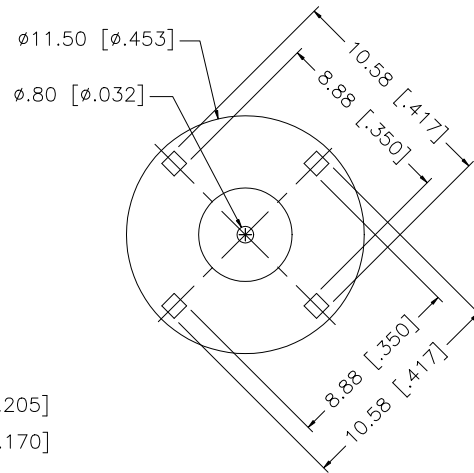
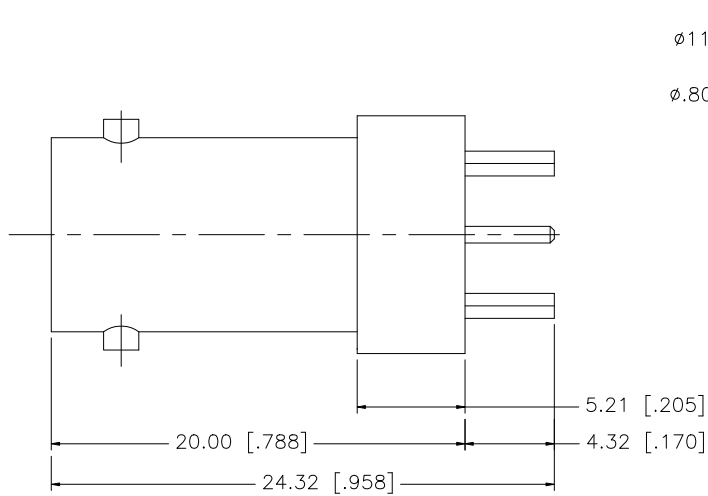


REV.	DATE	ECR NO.	DESCRIPTION
NC	03/20/03	-	INITIAL RELEASE
A	01/21/09	100076	REVISE BODY PLATING TO NICKEL
B	02/05/09	-	ADD NOTE 1.



NOTES:

1. VSWR 1.15 MAX @ 3GHz.

DESCRIPTION	MATERIAL	FINISH	QTY	DO NOT SCALE DRAWING	CAD FILE	DWG. NO.	REV.	SIZE	SCALE
8									
7									
6									
5									
4									
3	CONTACT PIN	PHOS. BRONZE	GOLD	1					
2	INSULATOR	PTFE	NATURAL	1					
1	BODY	BRASS	NICKEL	1					
<small>UNLESS OTHERWISE SPECIFIED DIMENSIONS ARE IN MILLIMETERS. DIMENSIONS IN [ ] ARE IN INCHES AND FOR CUSTOMER REFERENCE ONLY.</small> <small>UNLESS OTHERWISE SPECIFIED TOLERANCES FOR MILLIMETERS ARE:  0.5 - 8mm ± 0.20mm  8 - 30mm ± 0.40mm  30 - 120mm ± 0.50mm</small> <small>UNLESS OTHERWISE SPECIFIED TOLERANCES FOR INCHES ARE:  .020 - .315 = ± 0.007"  .315 - 1.180 = ± 0.015"  1.180 - 4.724 = ± 0.020"</small>					APPROVALS DRAWN GRS CHECKED ISSUED SHEET 1 OF 1	DATE 02/05/09	<h1 style="color: blue;">Amphenol Connex</h1>		
					PART DESCRIPTION BNC P.C. MOUNT RECEPTACLE JACK (75 ohm)				
					PART NO. 112515-75				
					DWG. NO. 112515-75.DWG		REV. B	SIZE A	SCALE NA