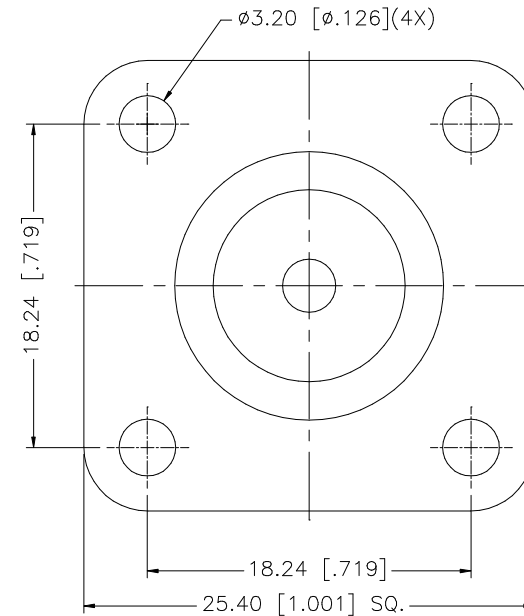
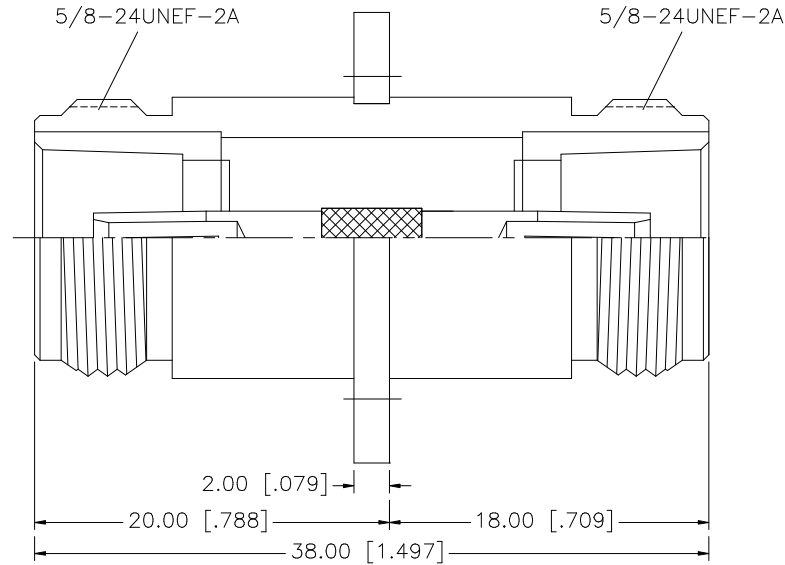


REV.	DATE	DESCRIPTION
NC	08/28/00	INITIAL RELEASE
A	12/17/06	UPDATE DRAWING FORMAT
B	01/17/07	REVISE BODY PLATING TO NEXCOTE



8					<small>UNLESS OTHERWISE SPECIFIED DIMENSIONS ARE IN MILLIMETERS. DIMENSIONS IN [ ] ARE IN INCHES AND FOR CUSTOMER REFERENCE ONLY.</small> <small>UNLESS OTHERWISE SPECIFIED TOLERANCES FOR MILLIMETERS ARE:</small> 0.5 - 8mm ± 0.20mm 8 - 30mm ± 0.40mm 30 - 120mm ± 0.50mm <small>UNLESS OTHERWISE SPECIFIED TOLERANCES FOR INCHES ARE:</small> .020 - .315 ± 0.007" .315 - 1.180 ± 0.015" 1.180 - 4.724 ± 0.020"	APPROVALS	DATE	<h1 style="color: blue; text-align: center;">Amphenol Connex</h1>		
7				DRAWN		G.R.S.	01/17/07			
6				CHECKED				PART DESCRIPTION		
5				ISSUED				N PANEL JACK TO JACK ADAPTER		
4				SHEET	1 OF 1		PART NO.			
3	CONTACT PIN	PHOS. BRONZE	GOLD	1			172278			
2	INSULATOR	TEFLON	NATURAL	1			DWG. NO. 172278.DWG			
1	BODY	BRASS	NEXCOTE	1			REV. B	SIZE A	SCALE NA	
	DESCRIPTION	MATERIAL	FINISH	QTY	DO NOT SCALE DRAWING	CAD FILE C:/172/172278.DWG				