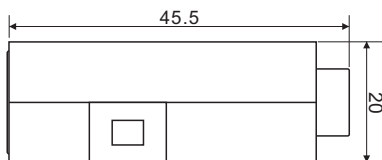
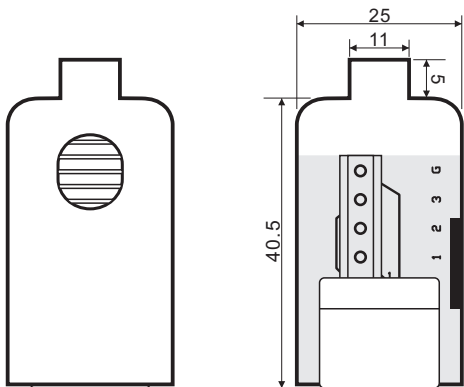
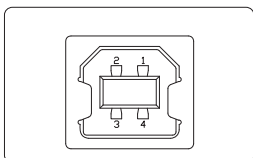


USB B type, 2.0 Female Connector Modular

Item No. 2001C203



mm±0.2



PIN NUMBER	SIGNAL NAME
1	VBUS
2	D-
3	D+
4	GND



Screwdriver Included



Material:
Housing: PP
Insulator: PBT+25%GF
Connector shell: SPCC with plated Ni 40µ min.
Contact: Brass with plated Au1µ
Technical:
Voltage rating: 5V max.
Current rating: 2A max.
Contact resistance: 20mΩ max.
Insulation resistance: 1000MΩ min.
Dielectric withstanding voltage: 500V/AC(R.M.S)
Operation temperature: -20 ~85°C