



Connectors > PCB Connectors > Backplane Connectors > Rack & Panel Backplane > Rack & Panel Contacts



Contact Type: **Socket**

Rack & Panel Connector Contact Size: **15**

Rack & Panel Connector Contact Style: **Coax**

Contact Mating Area Plating Material: **Gold**

Connector & Contact Terminates To: **Wire & Cable**

## Features

### Product Type Features

Compatible With RF Cable Type	RG 178, RG 196
Connector & Contact Terminates To	Wire & Cable

### Electrical Characteristics

Impedance	50 Ω
-----------	------

### Body Features

Contact Shell Base Material	Beryllium Copper
Contact Removal Style	Rear Release
Shell Plating Material	Gold

### Contact Features

Contact Mating Area Plating Material Thickness	1.27 μm[50 μin]
Contact Orientation	Straight
Ferrule Plating Material	Tin
Crimp Type	O Crimp
Contact Base Material	Beryllium Copper
Contact Type	Socket
Rack & Panel Connector Contact Size	15
Rack & Panel Connector Contact Style	Coax
Contact Mating Area Plating Material	Gold

### Termination Features



Termination Method to Wire &amp; Cable

Crimp

### Mechanical Attachment

Contact Retention Type Within Housing

Snap-In

### Packaging Features

Packaging Method

Package

## Product Compliance

[For compliance documentation, visit the product page on TE.com>](#)

EU RoHS Directive 2011/65/EU

Not Compliant

EU ELV Directive 2000/53/EC

Not Yet Reviewed

China RoHS 2 Directive MIIT Order No 32, 2016

Restricted Materials Above Threshold

EU REACH Regulation (EC) No. 1907/2006

Current ECHA Candidate List: JAN 2021 (211)  
 Candidate List Declared Against: JUL 2017 (174)  
 SVHC > Threshold:  
 Not Yet Reviewed

Halogen Content

Not Yet Reviewed for halogen content

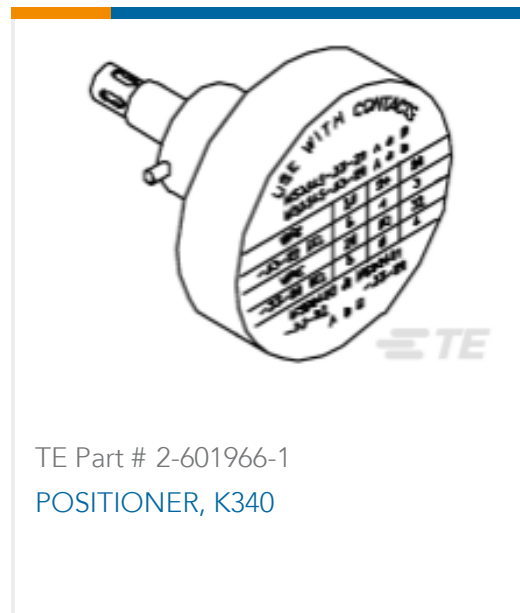
Solder Process Capability

Not applicable for solder process capability

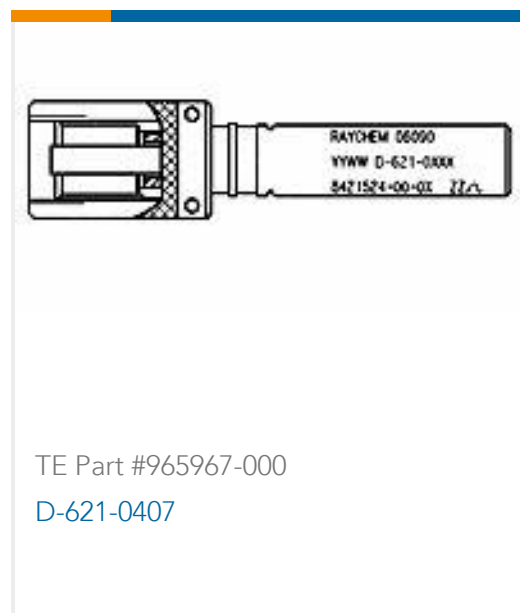
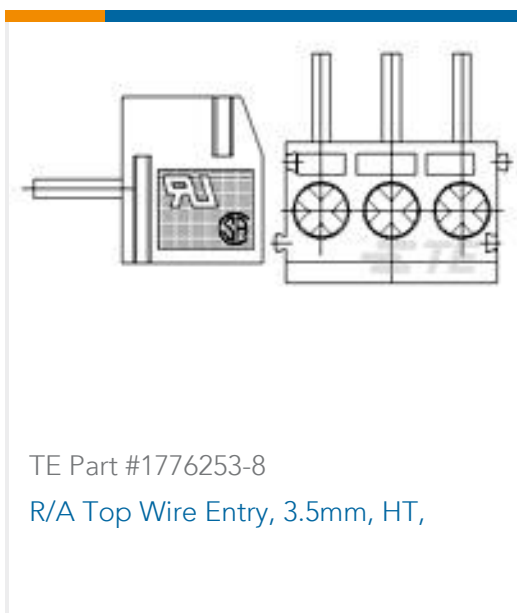
#### Product Compliance Disclaimer

This information is provided based on reasonable inquiry of our suppliers and represents our current actual knowledge based on the information they provided. This information is subject to change. The part numbers that TE has identified as EU RoHS compliant have a maximum concentration of 0.1% by weight in homogenous materials for lead, hexavalent chromium, mercury, PBB, PBDE, DBP, BBP, DEHP, DIBP, and 0.01% for cadmium, or qualify for an exemption to these limits as defined in the Annexes of Directive 2011/65/EU (RoHS2). Finished electrical and electronic equipment products will be CE marked as required by Directive 2011/65/EU. Components may not be CE marked. Additionally, the part numbers that TE has identified as EU ELV compliant have a maximum concentration of 0.1% by weight in homogenous materials for lead, hexavalent chromium, and mercury, and 0.01% for cadmium, or qualify for an exemption to these limits as defined in the Annexes of Directive 2000/53/EC (ELV). Regarding the REACH Regulations, TE's information on SVHC in articles for this part number is still based on the European Chemical Agency (ECHA) 'Guidance on requirements for substances in articles' (Version: 2, April 2011), applying the 0.1% weight on weight concentration threshold at the finished product level. TE is aware of the European Court of Justice ruling of September 10th, 2015 also known as O5A (Once An Article Always An Article) stating that, in case of 'complex object', the threshold for a SVHC must be applied to both the product as a whole and simultaneously to each of the articles forming part of its composition. TE has evaluated this ruling based on the new ECHA "Guidance on requirements for substances in articles" (June 2017, version 4.0) and will be updating its statements accordingly.

## Compatible Parts



## Customers Also Bought



## Documents

**Product Drawings**  
**ARINC SIZE 15 SOCKET**  
English

**CAD Files**  
**3D PDF**  
3D  
Customer View Model  
**ENG\_CVM\_CVM\_226781-3\_F.2d\_dxf.zip**



English

Customer View Model

[ENG\\_CVM\\_CVM\\_226781-3\\_F.3d\\_igs.zip](#)

English

Customer View Model

[ENG\\_CVM\\_CVM\\_226781-3\\_F.3d\\_stp.zip](#)

English

By downloading the CAD file I accept and agree to the [Terms and Conditions](#) of use.

---

### Datasheets & Catalog Pages

[ARINC 600 Next Generation Receptacle Connector](#)

English

---

### Instruction Sheets

[Instruction Sheet \(U.S.\)](#)

English

[ARINC 404 RACK-AND-PANEL CONNECTORS SERIES R, RM, RME, M, MM, MME](#)

English

[Instruction Sheet \(U.S.\)](#)

English

[AMP\\* COAXICON\\* CONTACTS FOR USE IN RM \(ARINC SPEC. 404\) OR RME \(MIL-C-](#)

English