



Alcoswitch

TE Internal #: 7-1437621-3

Switch Knobs, Knob, 5056 Aluminum Alloy, Diamond Knurl Knob Design, .125in [3.17mm] Shaft Size, .5in [12.7mm] Switch Knob Diameter, Black, Line

[View on TE.com >](#)

Relays, Contactors & Switches > Switches > Switch Knobs



Switch Knob Product Type: **Knob**

Switch Knob Material: **5056 Aluminum Alloy**

Knob Design: **Diamond Knurl**

Shaft Size: **3.17 mm [ .125 in ]**

Switch Knob Diameter: **12.7 mm [ .5 in ]**

**Features**

**Product Type Features**

Switch Knob Product Type	Knob
--------------------------	------

**Configuration Features**

Skirt	Without
Spinner	Without
Spin Plate	Without
Knob Design	Diamond Knurl

**Body Features**

Switch Knob Material	5056 Aluminum Alloy
Switch Knob Color	Black

**Dimensions**

Shaft Size	3.17 mm[.125 in]
Switch Knob Diameter	12.7 mm[.5 in]

**Identification Marking**

Indicator Style	Line
Indicator Location	Side

**Product Compliance**

[For compliance documentation, visit the product page on TE.com>](#)



EU RoHS Directive 2011/65/EU	Not Compliant
EU ELV Directive 2000/53/EC	Not Compliant
China RoHS 2 Directive MIIT Order No 32, 2016	Restricted Materials Above Threshold
EU REACH Regulation (EC) No. 1907/2006	<p>Current ECHA Candidate List: JAN 2021 (211)                  Candidate List Declared Against: JUN 2020 (209)                  SVHC &gt; Threshold:                  Pb (.6% in Component Part)</p> <p><b>Article Safe Usage Statements:</b>                  Do not eat, drink or smoke when using this product. Wash thoroughly after handling. Recycle if possible and dispose of the article by following all applicable governmental regulations relevant to your geographic location.</p>
Halogen Content	Low Halogen - Br, Cl, F, I < 900 ppm per homogenous material. Also BFR/CFR/PVC Free
Solder Process Capability	Not applicable for solder process capability

Product Compliance Disclaimer

This information is provided based on reasonable inquiry of our suppliers and represents our current actual knowledge based on the information they provided. This information is subject to change. The part numbers that TE has identified as EU RoHS compliant have a maximum concentration of 0.1% by weight in homogenous materials for lead, hexavalent chromium, mercury, PBB, PBDE, DBP, BBP, DEHP, DIBP, and 0.01% for cadmium, or qualify for an exemption to these limits as defined in the Annexes of Directive 2011/65/EU (RoHS2). Finished electrical and electronic equipment products will be CE marked as required by Directive 2011/65/EU. Components may not be CE marked. Additionally, the part numbers that TE has identified as EU ELV compliant have a maximum concentration of 0.1% by weight in homogenous materials for lead, hexavalent chromium, and mercury, and 0.01% for cadmium, or qualify for an exemption to these limits as defined in the Annexes of Directive 2000/53/EC (ELV). Regarding the REACH Regulation, the information TE provides on SVHC in articles for this part number is based on the latest European Chemicals Agency (ECHA) 'Guidance on requirements for substances in articles' posted at this URL: <https://echa.europa.eu/guidance-documents/guidance-on-reach>

## Compatible Parts



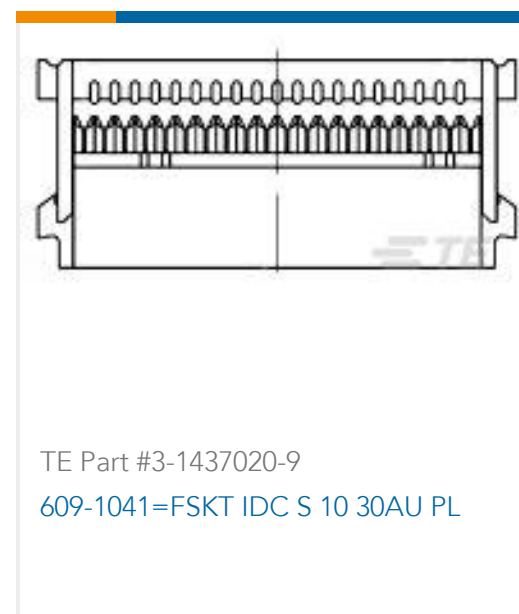
## Customers Also Bought



TE Part #1445022-4  
MICRO MNL RFECEPT HSG SINGLE R



TE Part #2311403-1  
CAP, SQ, ILLUMINATED TACT SWITCH, GREEN



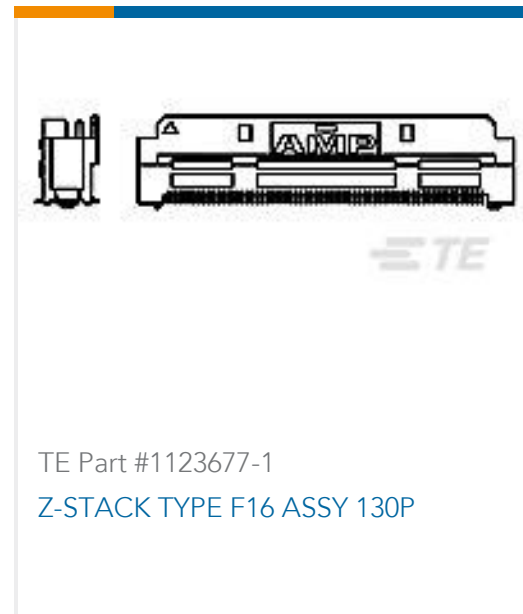
TE Part #3-1437020-9  
609-1041=FSKT IDC S 10 30AU PL



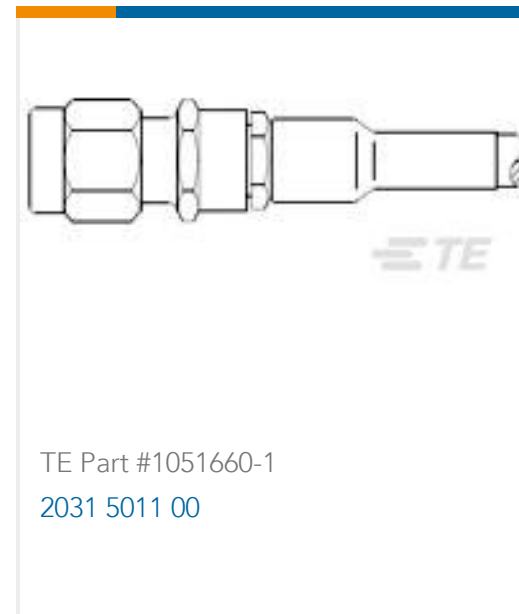
TE Part #1-331414-1  
TERM,SOLIS, R, HD, 8, 5/16



TE Part #2-6609104-2  
CORCOM P SERIES MULTI-FUNCTION INLET FIL



TE Part #1123677-1  
Z-STACK TYPE F16 ASSY 130P



TE Part #1051660-1  
2031 5011 00



TE Part #2-1437622-7  
KN1250B1/4=KNOB BLACK KNURL 1/



TE Part #YDTS20W13-04PNV001  
D38999: Square Flange, 13-04 insert



TE Part #1-2213818-8  
6X6 ILL TACT THT 160GF LI PURE GREEN

## Documents

### CAD Files

3D PDF

3D

Customer View Model

[ENG\\_CVM\\_CVM\\_7-1437621-3\\_A\\_c-7-1437621-3-a.2d\\_dxf.zip](#)

English

Customer View Model

[ENG\\_CVM\\_CVM\\_7-1437621-3\\_A\\_c-7-1437621-3-a.3d\\_igs.zip](#)

English

Customer View Model

[ENG\\_CVM\\_CVM\\_7-1437621-3\\_A\\_c-7-1437621-3-a.3d\\_stp.zip](#)

English

By downloading the CAD file I accept and agree to the [Terms and Conditions](#) of use.

### Datasheets & Catalog Pages

[Alcoswitch Products](#)

English