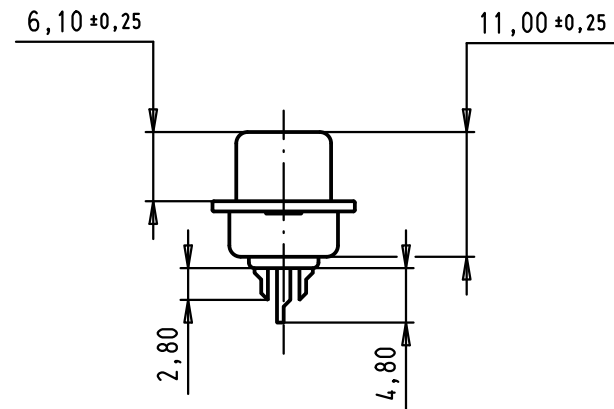
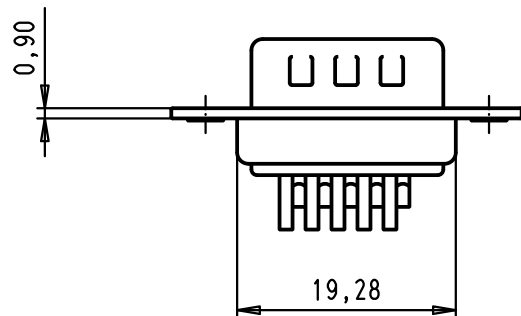



Entry hole type : stamped contact



				Dot.	Name	 All Dim. in mm Orig. Size DIN A 4	D-Sub, High Density, black, male, straight, 15 poles, solder pins and solder cups, tin plated shell with dimples and holes	Maßstab/ Scale 1,5:1
			Detail.	14/02/07	PK			
			Insp.					
			Stand.					
09 56 100 5615.050	Golg plating: 0,76 $\mu$ m	33938	14/02/07	PK	HARTING EURL F-95972 Paris		TB 09 56 100 5615	
Part number	Index designation	Mod.	Dot.	Name				

