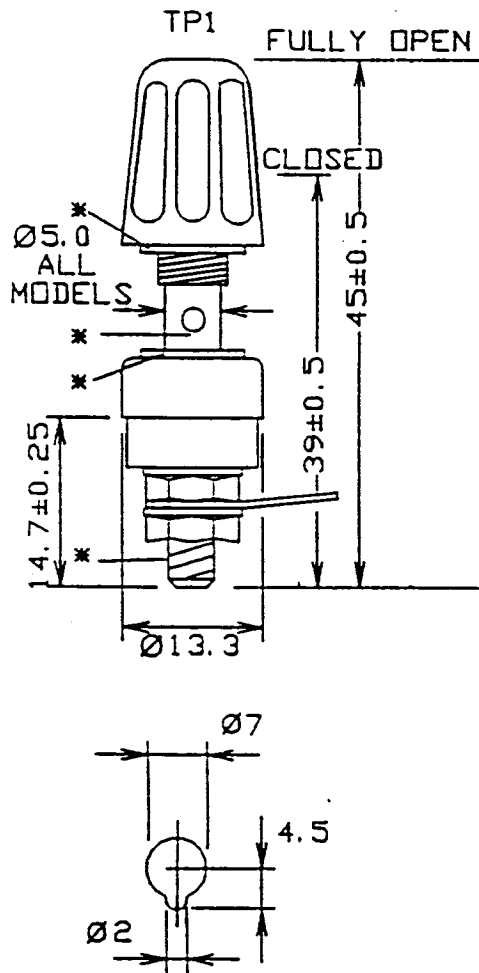


4mm connectors

Order code	Manufacturer code	Description
17-0230	CL1506	RED 4MM TERMINAL (RC)
17-0235	CL1508	GREEN 4MM TERMINAL (RC)
17-0240	CL1507	BLUE 4MM TERMINAL (RC)
17-0245	CL1505	BLACK 4MM TERMINAL (RC)
17-0255	CL1509	WHITE 4MM TERMINAL (RC)
17-0260	CL1512	YELLOW 4MM TERMINAL (RC)

4mm connectors	Page 1 of 2
The enclosed information is believed to be correct, Information may change 'without notice' due to product improvement. Users should ensure that the product is suitable for their use. E. & O. E.	Revision A 04/07/2003



TOLERANCE	
NO DEC. PLACE ±	0.2
1 DEC PLACE ±	0.1
2 DEC PLACE ±	
DIA OF HOLE ±	0.1
ANGLES ±	
UNLESS OTHERWISE STATED	
WHERE USED F.R.	
SCALE N.T.S.	

ITEM	MATERIAL / FINISH	QTY
1	*POLYPROP / MATT	1
2	BRASS / Ni PLATED	1
3	BRASS / Ni PLATED	1
4	BRASS / Ni PLATED	1
5	* POLYPROP / MATT	1
6	POLYPROP BLACK	1
7	BRASS / Ag PLATED	1
8	BRASS / Ni PLATED	2
9	BRASS / Ni PLATED	2

DIMENSIONS IN MILLIMETRES UNLESS OTHERWISE STATED. WORK TO DIMENSIONS. DO NOT SCALE DRAWING. 1st.ANGLE PROJECTION. REMOVE BURRS.