



CURRENT MEASURING MODULE; SET CURRENT 2,4...25A; OVERALL WIDTH 45MM; STRAIGHT-THROUGH CT

Figure similar

product brand name		SIRIUS
Product designation		current measuring module

General technical data:

<b>Insulation voltage</b>		
• Rated value	V	690
<b>Vibration resistance</b>		1-6 Hz / 15 mm; 6-500 Hz / 2 g
<b>Surge voltage resistance Rated value</b>	V	6 000
<b>Protection class IP</b>		IP20
<b>Equipment marking</b>		
• acc. to DIN EN 61346-2		F
• acc. to DIN EN 81346-2		F

Electromagnetic compatibility:

<b>EMC emitted interference</b>		
• acc. to IEC 60947-1		class A
<b>EMI immunity acc. to IEC 60947-1</b>		corresponds to degree of severity 3
<b>Conducted interference due to burst acc. to IEC 61000-4-4</b>		2 kV
<b>Conducted interference due to conductor-earth surge acc. to IEC 61000-4-5</b>		2 kV
<b>Conducted interference due to conductor-conductor surge acc. to IEC 61000-4-5</b>		1 kV
<b>Field-bound parasitic coupling acc. to IEC 61000-4-3</b>		10 V/m

Inputs/ Outputs:

<b>Number of outputs as contact-affected switching element</b>		0
--	--	---

Communication/ Protocol:		
<b>Product function Bus communication</b>		No
Installation/ mounting/ dimensions:		
<b>mounting position</b>		any
<b>Mounting type</b>		screw and snap-on mounting
<b>Height</b>	mm	84
<b>Width</b>	mm	45
<b>Depth</b>	mm	45
Connections/ Terminals:		
<b>Type of electrical connection</b>		straight-through transformers
<ul style="list-style-type: none"> <li>• for main current circuit</li> </ul>		
<b>Product function</b>		No
<ul style="list-style-type: none"> <li>• removable terminal for auxiliary and control circuit</li> </ul>		
Ambient conditions:		
<b>Installation altitude at height above sea level maximum</b>	m	4 000
<b>Ambient temperature</b>		
<ul style="list-style-type: none"> <li>• during operation</li> </ul>	°C	-25 ... +60
<ul style="list-style-type: none"> <li>• during storage</li> </ul>	°C	-40 ... +80
<ul style="list-style-type: none"> <li>• during transport</li> </ul>	°C	-40 ... +80
<b>Relative humidity during operation</b>	%	5 ... 95
Safety related data:		
<b>Protection against electrical shock</b>		finger-safe
Main circuit:		
<b>Number of poles for main current circuit</b>		3
<b>Adjustable response value current of the current-dependent overload release</b>	A	2.4 ... 25
<b>Operating voltage</b>		
<ul style="list-style-type: none"> <li>• with AC</li> </ul>		
<ul style="list-style-type: none"> <li>— at 50 Hz Rated value</li> </ul>	V	110 ... 690
<ul style="list-style-type: none"> <li>— at 60 Hz Rated value</li> </ul>	V	110 ... 690
<b>Operating frequency Rated value</b>	Hz	50 ... 60
Control circuit/ Control:		
<b>Type of voltage of the control supply voltage</b>		AC
Certificates/ approvals:		

General Product Approval	EMC	For use in hazardous locations
--------------------------	-----	--------------------------------



For use in hazardous locations	Test Certificates	Shipping Approval	other
--------------------------------	-------------------	-------------------	-------

[Explosion Protection Certificate](#)

[Special Test Certificate](#)

[Type Test Certificates/Test Report](#)



[Confirmation](#)

other
-------

[Declaration of Conformity](#)



Profibus

[PROFINET-Certification](#)

[PROFISafe-Certification](#)

#### Further information

##### Information- and Downloadcenter (Catalogs, Brochures,...)

<http://www.siemens.com/industrial-controls/catalogs>

##### Industry Mall (Online ordering system)

<http://www.siemens.com/industrymall>

##### Cax online generator

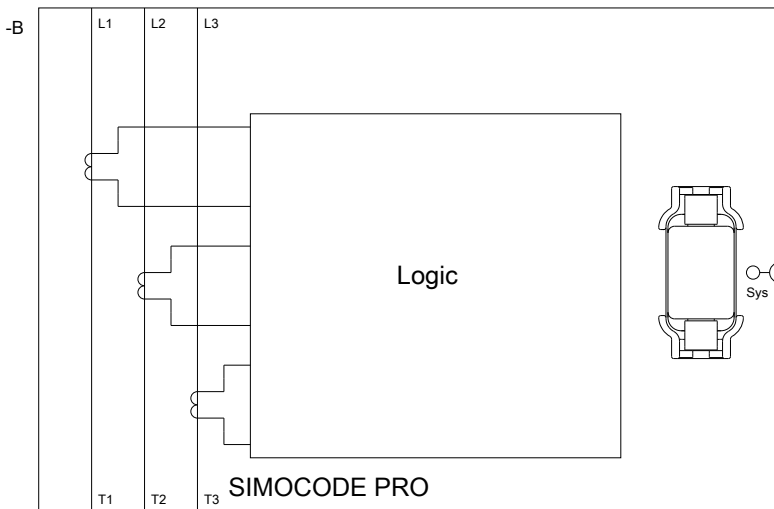
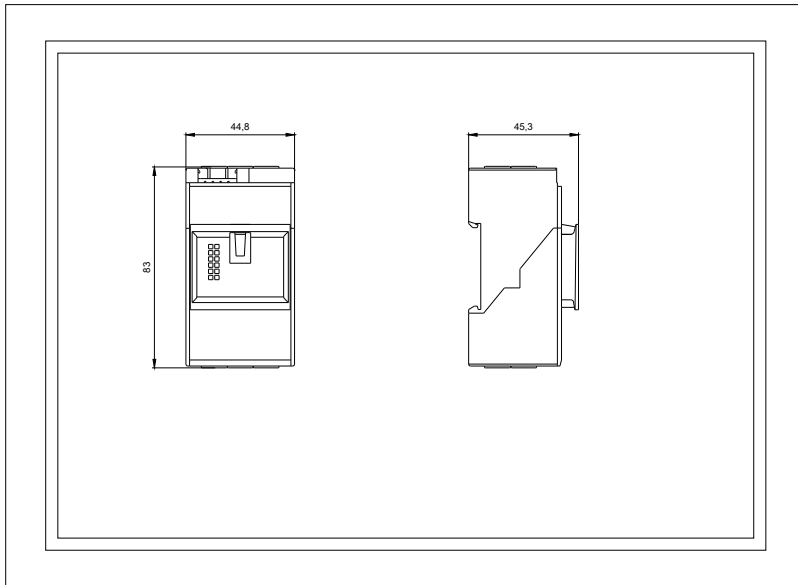
<http://support.automation.siemens.com/WW/CAXorder/default.aspx?lang=en&mfb=3UF71011AA000>

##### Service&Support (Manuals, Certificates, Characteristics, FAQs,...)

<http://support.automation.siemens.com/WW/view/en/3UF71011AA000/all>

##### Image database (product images, 2D dimension drawings, 3D models, device circuit diagrams, EPLAN macros, ...)

[http://www.automation.siemens.com/bilddb/cax\\_de.aspx?mfb=3UF71011AA000&lang=en](http://www.automation.siemens.com/bilddb/cax_de.aspx?mfb=3UF71011AA000&lang=en)



last modified:

09.03.2015