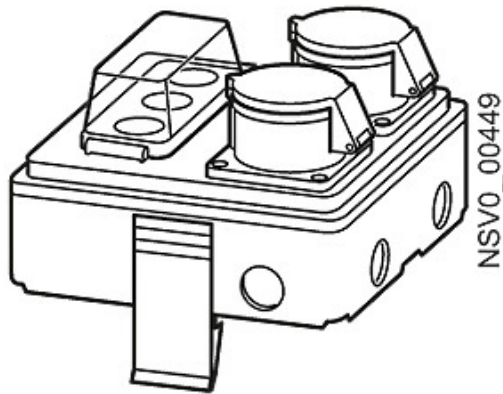


BD2-AK1/2CEE163S14 TAP-OFF UNIT 16A / 2X1POL
D01+2 X3P.CEE



Model

Product designation	tap-off unit for BD2 busbar trunking system
---------------------	---

Protection class

Protection class IP	IP54
---------------------	------

Main circuit

Operating frequency / Rated value		
• minimum	Hz	50
• maximum	Hz	60
Operating voltage / with AC		
• at 50 Hz / Rated value / maximum	V	230
• at 60 Hz / Rated value / maximum	V	230
Operating current		
• for circuit 1 / with AC / at 50 Hz / Rated value / maximum	A	16
• for circuit 1 / with AC / at 60 Hz / Rated value / maximum	A	16

Tap-off points

Outgoing unit version	socket
Design of short-circuit and overloading protection / in the outgoing unit	1-pole D01 fuse base
Size of the outgoing feeder	1
Number of poles / of the outgoing feeder	5

Mechanical Design

Height	mm	180
--------	----	-----

Width	mm	170
Length	mm	190
Number of width units		4
Product component / Locking mechanism		Yes

General Product Approval



Further information

Information- and Downloadcenter (Catalogs, Brochures,...)

<http://www.siemens.com/lowvoltage/catalogs>

Industry Mall (Online ordering system)

<https://eb.automation.siemens.com/mall/en/WW/Catalog/Product/BVP:047167>

Service&Support (Manuals, Certificates, Characteristics, FAQs,...)

<http://support.automation.siemens.com/WW/view/en/BVP:047167/all>

Image database (product images, 2D dimension drawings, 3D models, device circuit diagrams, ...)

http://www.automation.siemens.com/bilddb/cax_en.aspx?mlfb=BVP:047167

CAX-Online-Generator

<http://www.siemens.com/cax>

Tender specifications

<http://ausschreibungstexte.siemens.com/tiplv>

last modified:

11.03.2015