

R130 – R130/2" Aluminium

Aluminium pressure regulator,
for compressed air, gas and liquid



FEATURES

Pressure regulator for inlet pressure up to 30 bar (435 psi).

Connections by flanges screwed to the body.

R130 1 ½"-F

R130/2" 2"-F

Outlet pressure is controlled by an aluminium piston.

The product complies with the directive 2014/68/EU PED.

Available the EAC TP TC 032/2013 or EAC-EX TP TC 012/2011 versions for the russian market.

Gauge for outlet pressure (accuracy class 1.6)

SPECIFICATIONS

Weight: ~7,7 Kg (~16,7lb)

Standard version operating temperature: -20°C ÷ +60°C (-4°F ÷ +140°F)

Main valve leakage classification: VI (bubble tight)

Flow coefficient: Kv= 12.6 Nm³/h Cv = 14,7 US gal/min

Degree of protection: IP25

G1/4 port for gauge on both sides

MATERIALS

Body: aluminium machined from solid bar

Bonnet: cast aluminium

Internal parts: brass

Main valve spring: stainless steel AISI 302

Adjusting spring: C85 (not in contact with the fluid)

Piston: aluminium

O-Rings: NBR (other compounds available on request)

Main valve gasket: NBR (other compounds available on request)

ACCESSORIES

Pilot operated version, pressure setpoint to be controlled by a pilot regulator

Bracket kit

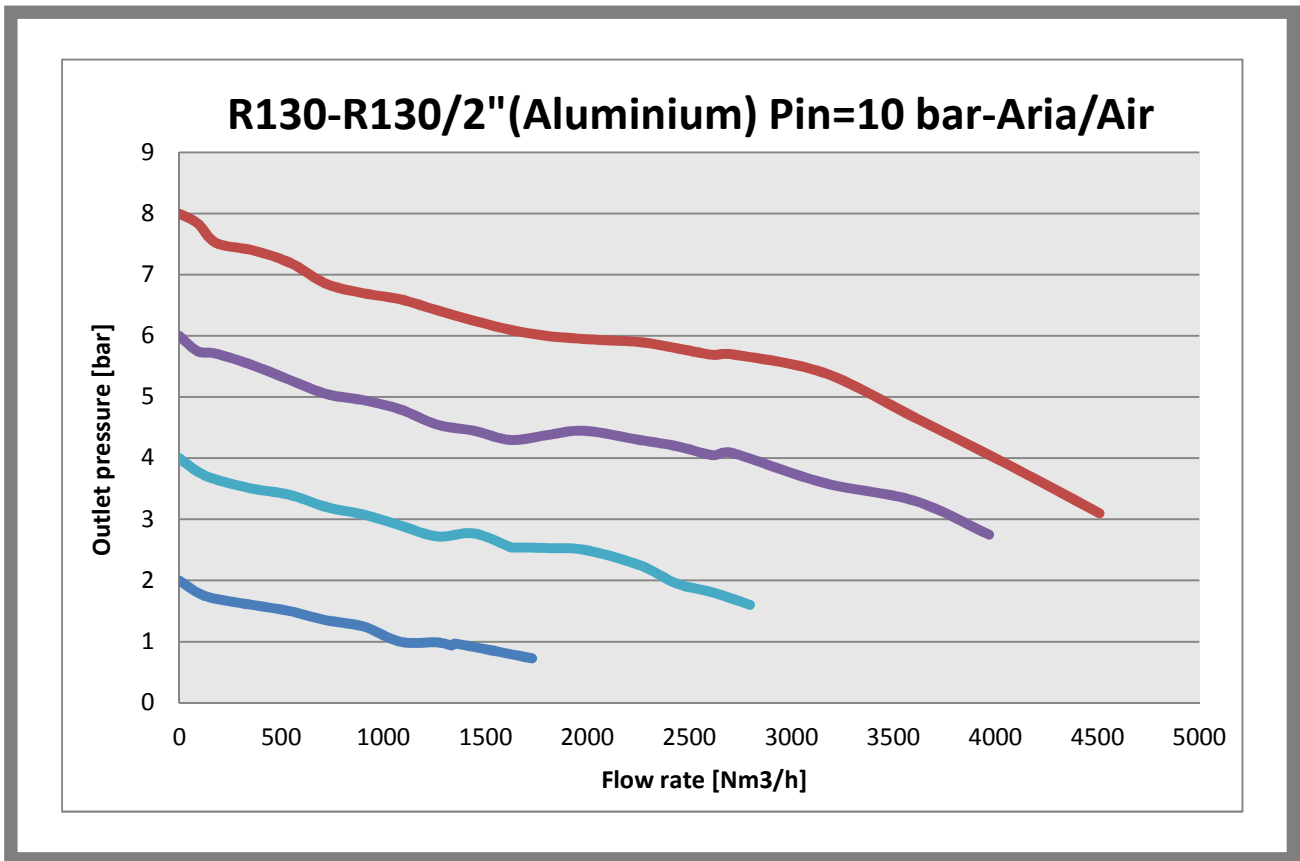
Overpressure relieving function, only for compressed air version

SPARE PARTS

Gauge

Complete kit: net filter, complete main valve, O-rings.

flow charts



generating the product code

R130 LL			
AA BB CC DD E F GG			
AA	Attacchi / Connections	S0	G 1"1/2-F
		T0	G 2-F
BB	Pressione ingresso / Inlet pressure	D0	30 bar
CC	Intervallo uscita / Outlet range	A0	MOD A Pout 0,2 - 1,5 bar
		B0	MOD B Pout 0,3 - 3 bar
		D0	MOD C Pout 0,8 - 8 bar
		E0	MOD E Pout 1,5 - 15 bar
DD	Tipologia di fluido / Fluid type	97	NBR CAT I
E	Pilotato / Pilot operated	N	Non pilotato
		P	Pilotato
F	Marchiato / Marked	I	ID
GG	Accessori / Accessories	00	Nessun accessorio

CODE COMPOSITION EXAMPLE

2130#T0 D0 D0 97 N I 00

2130#: Regulator R130 LL

T0: Connection G2-F

D0: Maximum inlet pressure 30 bar

D0: Outlet pressure range 0,8-8 bar

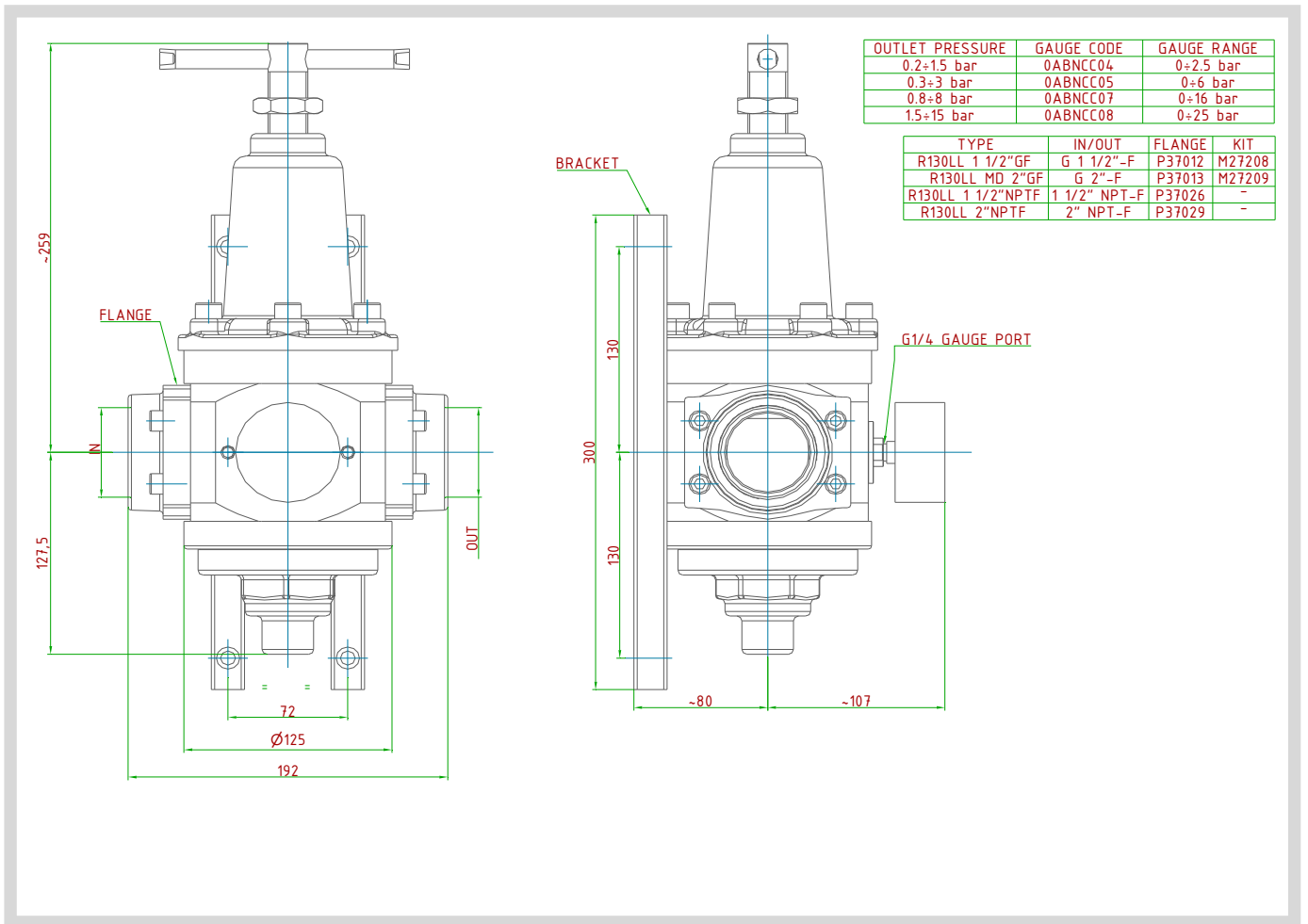
97: NBR O-rings

N: Not pilot operated

I: ID

00: No accessories

technical drawings (all dimensions in mm)



ID Insert Deal Srl

Strada dei Boschi, 40
20852 Villasanta (MB) Italia
tel. +39 039 302035
info@idinsertdeal.com
www.idinsertdeal.com

ID Insert Deal si riserva il diritto di cambiare le specifiche del prodotto senza preavviso.
ID Insert Deal reserves the right to change and/or modify product specifications without prior notice.

Insert Deal non si assume alcuna responsabilità per la scelta, uso e manutenzione di qualsiasi prodotto. La responsabilità per l'ideale scelta, uso e manutenzione di qualsiasi prodotto ID rimane interamente a carico dell'acquirente.

Insert Deal does not assume responsibility for selection, use and maintenance of any products. Responsibility for proper selection, use and maintenance of any ID products remains entirely to the purchaser.

Riproduzione vietata. Tutti i diritti riservati; nessuna parte del presente documento può essere riprodotta senza autorizzazione di ID Insert Deal Srl.
Reproduction forbidden. All rights reserved; the hereby document can't be reproduced, also partially, without the authorization of ID Insert Deal Srl.

PRESSURE REGULATOR_2130(R130-R130.2)_EN_02



Azienda con sistema di gestione qualità certificato.
certificato N° 50 100 9191
Company with certificated quality management system.
certificate N° 50 100 9191