



Sample image

## Datasheet

**Article number:** 70019205

**Designation:** KG315.T104/05.E

**Description:** Switch Global Disconnecter

### IEC 60947-3 EN 60947-3, VDE 0660 Teil 107

#### Rated insulation voltage Ui

Voltage (V) AC / DC  
1000 AC

#### Rated uninterrupted current Iu/Ith

Current (A)	Ambient temperature (°C)	Peak temperature (°C)	additional requirements
315	50	55	Ambient temperature +50°C during 24 hours with peaks up to +55°C

#### Rated operational power

Utilization category	Voltage (V)	No. of phases	No. of poles	Power (kW)
AC-3	220 - 240	3	3	45
AC-3	380 - 440	3	3	75
AC-3	660 - 690	3	3	45
AC-23A	220 - 240	3	3	55
AC-23A	380 - 440	3	3	110
AC-23A	660 - 690	3	3	45

#### Max Fuse Rating IEC

Fuse characteristic	No. of Fuses	Current (A)
gG	1	315

### UL60947-4-1, UL508

#### Nominal Voltage

Voltage (V) AC / DC  
600 AC

#### Rated insulation voltage Ui

Voltage (V) AC / DC  
600 AC

#### Rated thermal current

Current (A)	Ambient temperature (°C)	Additional Text
300	0 - 40	--

#### Horsepower rating

Across-the-Line Motor Starting	Voltage (V)	No. of phases	No. of poles	Power (HP)	Ambient temperature [°C]
DOL	110 - 120	1	2	20	40
DOL	220 - 240	1	2	35	40
DOL	277 - 277	1	2	35	40
DOL	440 - 480	1	2	50	40
DOL	550 - 600	1	2	60	40
DOL	110 - 120	3	3	40	40
DOL	220 - 240	3	3	75	40
DOL	440 - 480	3	3	100	40
DOL	550 - 600	3	3	100	40

#### SCCR / Max. fuse rating

##### Conditions of acceptability

This device is suitable for use on circuits capable of delivering not more than 10kA rms symmetrical amperes, 600V ac max. when protected by Type RK1 fuses.

Suitable for use on a circuit capable of delivering not more than 65000 rms symmetrical amperes at 600V max., when protected by 400A Class J fuses.

#### Temp. rating of wire

Temperature rating (°C)	Current (A)	Text
75	--	--

#### General Use

AC / DC	Voltage (V)	Current (A)	No. of phases	No. of poles	No. of contacts in series
AC	277	300	1	1	1
AC	600	300	1	2	1
AC	600	300	3	3	1

#### General Information

##### Text

- The operating handle and position indicating means to be used with these manual motor controllers should be provided from the manufacturer, or the operating handle and position indicating means to be used should have been previously evaluated in combination with the manual motor controllers.

### CSA

#### Nominal Voltage

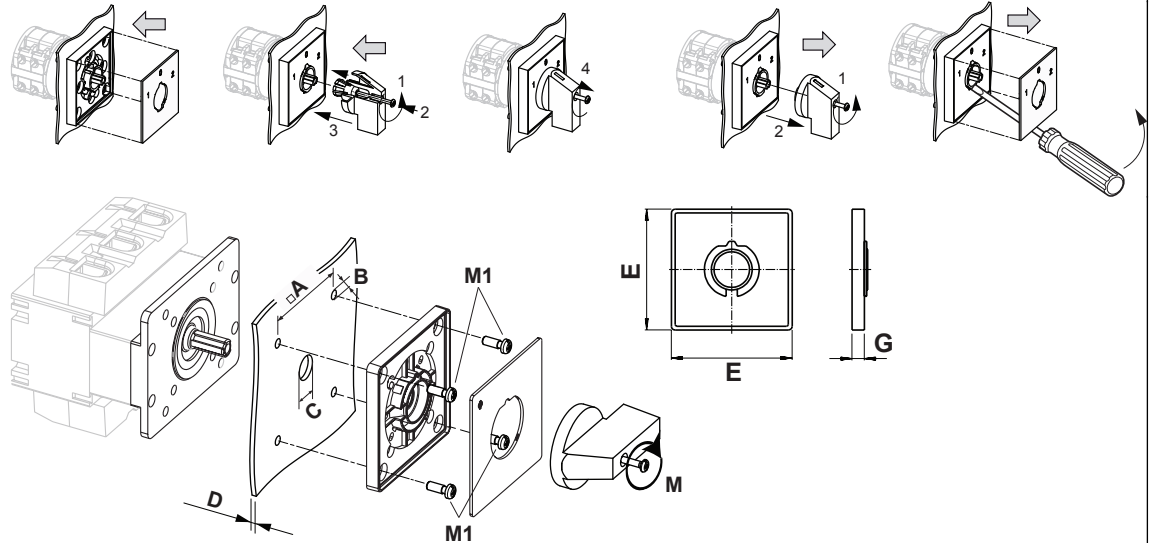
Voltage (V) AC / DC  
600 AC

#### Rated insulation voltage Ui

Voltage (V) AC / DC  
600 AC

Rated thermal current		Current (A)	Ambient temperature (°C)	Additional Text		
		300	0 - 40	--		
Horsepower rating						
Across-the-Line Motor Starting		Voltage (V)	No. of phases	No. of poles	Power (HP)	Ambient temperature [°C]
DOL		110 - 120	1	2	20	40
DOL		220 - 240	1	2	35	40
DOL		277 - 277	1	2	35	40
DOL		440 - 480	1	2	50	40
DOL		550 - 600	1	2	60	40
DOL		110 - 120	3	3	40	40
DOL		220 - 240	3	3	75	40
DOL		440 - 480	3	3	100	40
DOL		550 - 600	3	3	100	40
Temp. rating of wire						
		Temperature rating (°C)	Current (A)	Text		
		75	--	--		
General Use						
AC / DC	Voltage (V)	Current (A)	No. of phases	No. of poles	No. of contacts in series	
AC	277	300	1	1	1	
AC	600	300	1	2	1	
AC	600	300	3	3	1	
GENERAL TECHNICAL INFORMATION						
Size of conductor						
composition of conductor	Min. / Max. value	No. of conductor per terminal	Cross section (mm <sup>2</sup> ) or (AWG/kcmil)	Material of the wire		
solid wire	Min.	1	16mm <sup>2</sup>	Copper		
flexible wire	Max.	1	MCM 300	Copper		
flexible wire	Max.	1	150mm <sup>2</sup>	Copper		
flexible wire	Min.	1	25mm <sup>2</sup>	Copper		
Single-core or stranded wire	Max.	1	185mm <sup>2</sup>	Copper		
Single-core or stranded wire	Max.	1	MCM 350	Copper		
flexible wire with sleeve	Max.	1	120mm <sup>2</sup>	Copper		
flexible wire with ferrule according to DIN 46228	Min.	1	16mm <sup>2</sup>	Copper		
Stripping length						
Length (mm) --						
						
Recommended screw driver						
Type of screw driver	Value					
Hex key	6					
Tightening torque of screws						
			tightening torque (Nm)	tightening torque (lb-in)		
			16	140		
Approbations						
Specification					Marking	
EAC						
CE marking						
UK Directives						
CSA C.22.2 No.14						
GB/T14048.3						
General Information						
Text						
- Do not lubricate or treat contacts.						
- Switches may only be mounted, connected and set into operation by qualified persons according to the accepted rules of technology.						
- Use copper wire only. Do not coat the wire end with tin.						
- Terminals with factory fitted jumper links are tightened during production. Take care during installation to ensure factory fitted links are not lost by undoing both sides of linked terminals. After wiring, all terminal screws must be tightened to recommended torque specifications.						
Waste Electrical & Electronic Equipment (WEEE)						
Picture name	Description					
	Do not throw in the trash as care must be taken to ensure environmentally sound disposal and recycling. Please either use an environmentally friendly waste disposal company, return to the supplier for disposal, or return direct to the manufacturer, Kraus & Naimer. You can find local Kraus & Naimer offices at <a href="http://www.krausnaimer.com">www.krausnaimer.com</a>					
Proposition 65						
Picture name	Description					
	WARNING: This product can expose you to chemicals including nickel and lead, which is known to the State of California to cause cancer. For more information go to <a href="http://www.P65Warnings.ca.gov">www.P65Warnings.ca.gov</a> .					
Classification Contact: Rigid contact bridge						
Classification Contact Mat: Silver						
Classification Terminal: Screw terminal						

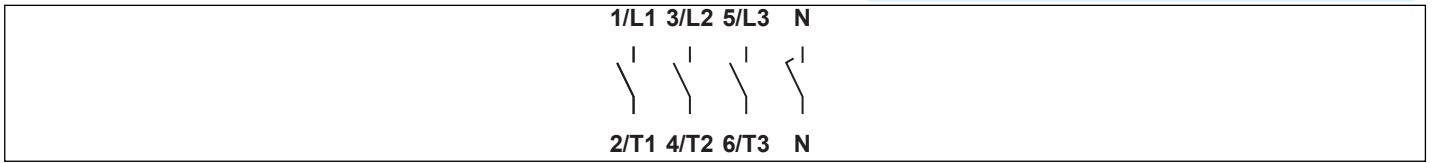
Mounting-E



IP - Code front side		IP66, IP67
Stages		1,00 - 5,00
A	□	68,00 mm
B	∅	6,00 mm
C	∅	13,00 - 17,00 mm
D	H	<= 5,50 mm
E	H	88,00 mm
G	H	8,50 mm
M	⌘	1,20 Nm
M1	⌘	1,50 Nm


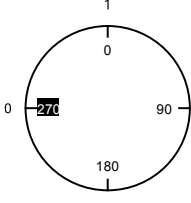
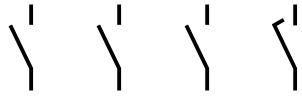
## Wiring diagram

KG315.T304.E



**Switch program**

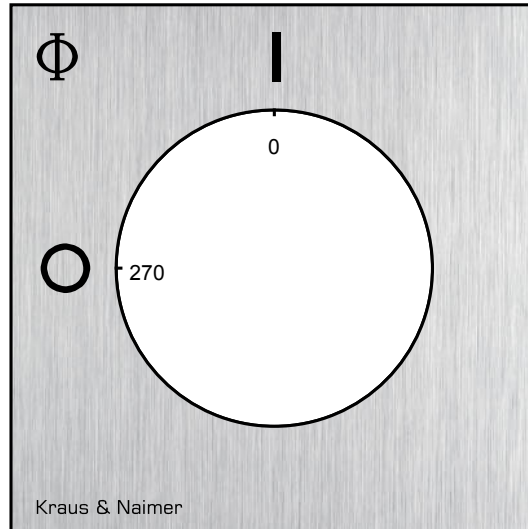
KG315.T304.E

 Kraus & Naimer		KG315	T304	Page 1 of 1				
<b>Face Plate</b>								
	1/L1	3/L2	5/L3	N				
	1	3	5	7	9	11	13	15
								
Switching Angle	90	2	4	6	8	10	12	14
Total switching Angle	90	2/T1	4/T2	6/T3	N			16
0	270							
1	0	█	█	█	█			
	90							
	180							

Version: 84

**Face plate**

S1.F456/A10.M1H



## PADLOCK DEVICE

**Designation:** S2.V845/A11/A12

**Face plate and handle unit:** "A" face plate/alu, frame/black, handle/black, locking push rod/red

**Locking position:** "1" at 270°+90° - knockouts every 45°

**Angular displacement:** "1" 1 x 90°

**Type of mounting:** "A" for type of mounting E

**Type of version:** "1" for same switch size

**Switch type:** "2" for KA-, KG- and KH(R)-switches

