

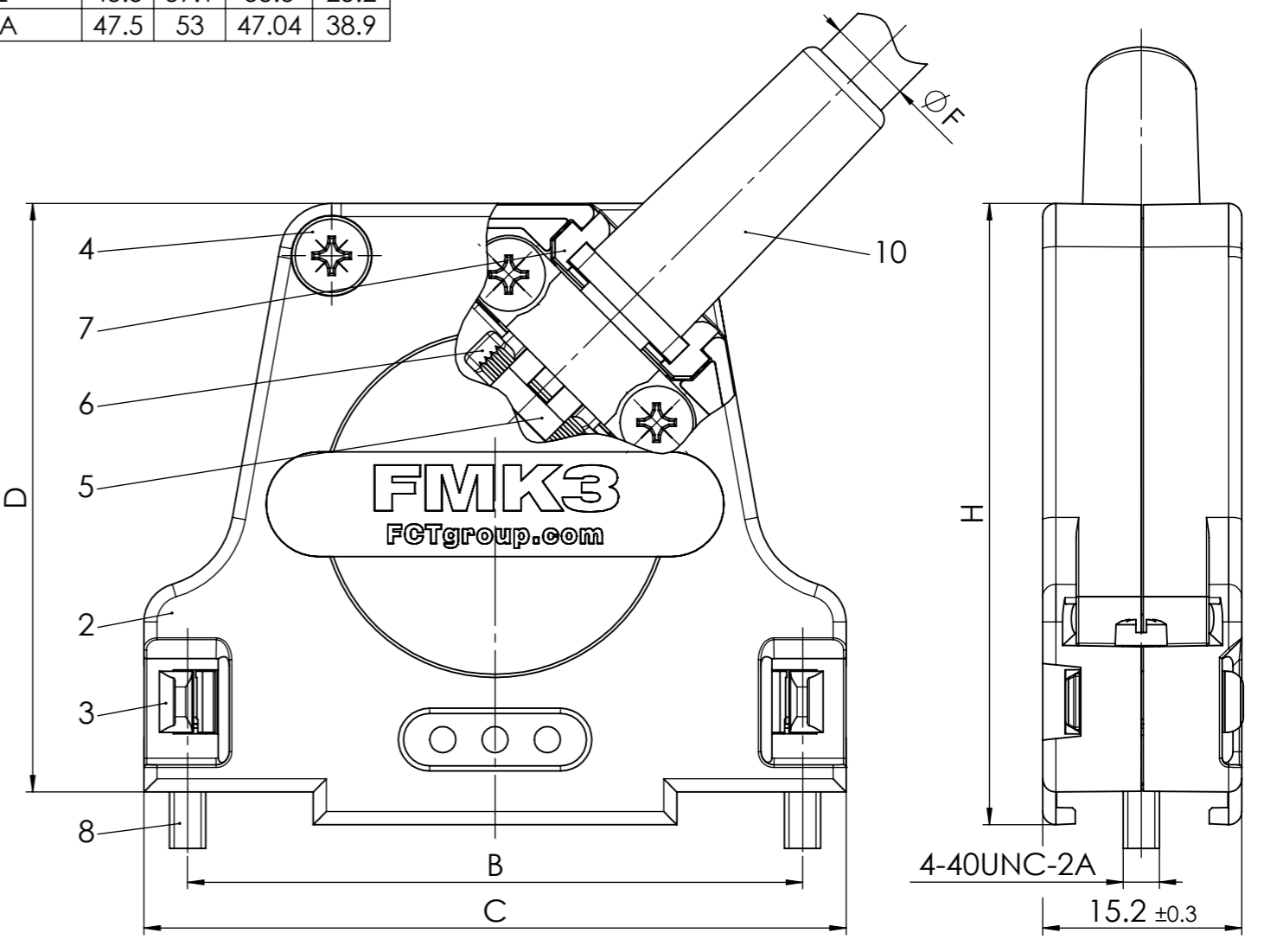
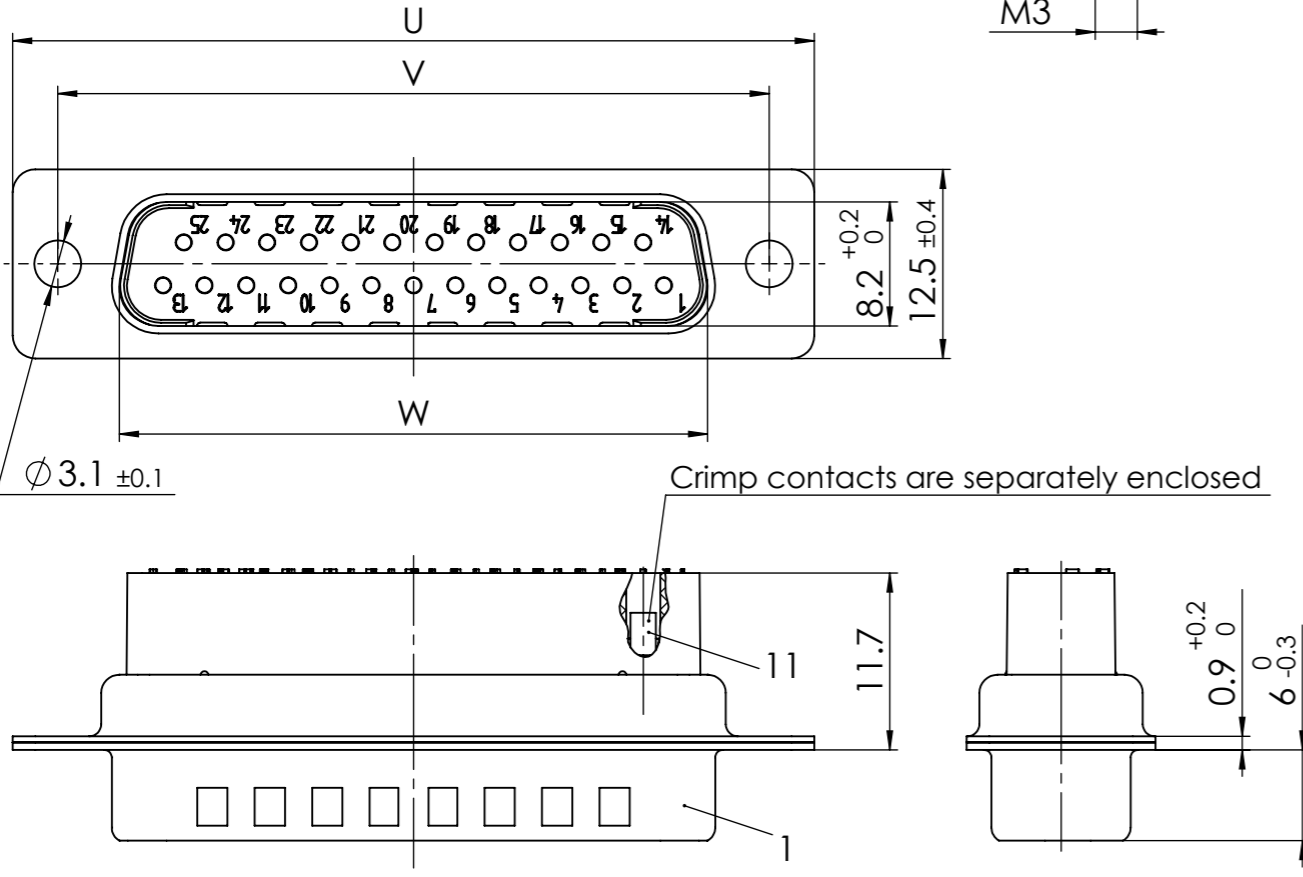
1	2	3	4		5			6		7		8
Material-No.	Order-No.	Shell Size / for No. of Contacts	B ±0.1	C ±0.3	D ±0.3	∅F1 min - max	∅F2 max l Rubber bushing	H ±0.3	U ±0.4	V ±0.15	W +0.2	
1731140959	FMK1-09P7-6191	1 / 9	25	31.6	39.5	3 - 9.5	6.5	FKT1-2	42	30.8	25	16.9
1731140967	FMK2-15P7-6191	2 / 15	33.3	40	41	3 - 8.5	6.5	FKT1-2	43.5	39.1	33.3	25.2
1731140975	FMK3-25P7-6191	3 / 25	47.04	53.7	45	3 - 8.5	8	FKT1-2A	47.5	53	47.04	38.9

∅F1 = Cable diameter without rubber bushing  
∅F2 = Cable diameter with rubber bushing

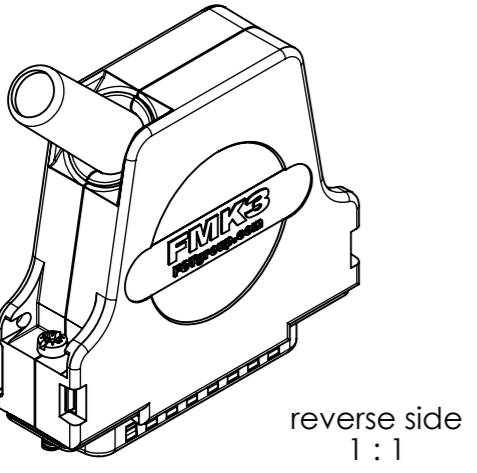
# FMKy-xxP7-6191

\*1) \*2)  
e.g. FMK3-25P7-6191

\*1) y for hood size 1, 2 or 3  
\*2) xx No. of contacts 09, 15 or 25



No.	St.	Part	Type Description/Material	Surface plating/Colour/Class
11	xx	Crimp contact	FK20PL-02V	0.2µm Au / AWG 20-24
10	1	Rubber bushing	TPE	black
9	2	Locking screw	FVS1/5-K1163 M3 / Steel	nickel plated
8	2	Locking screw	FVS1/5-K1163 4-40 / Steel	nickel plated
7	0/2	Cable reduction plate	Zinc die-cast	nickel plated
6	1	Strain relief	ABS	nickel plated
5	1	Cable clamp	Steel	tin plated
4	3	Screw	Case hardened steel	zinc plated
3	2	Catch spring	PEI	black
2	1	Hood	FMKy / Zinc die-cast	nickel plated
1	1	D-Sub Crimp connector	FLxxP7-K120	



reverse side  
1:1

RoHS compliant  
by exemption

Packing unit on supplement AM0665  
max. torque are 40 Ncm  
Part-No. 4, 5, 10 and 11 not mounted  
FMK1-09P7-6191 with Part-No. 6 alternatively  
in Zinc die-cast, tin plated  
FMK1-09P7-6191 without Part-No. 7

THIS DRAWING CONTAINS INFORMATION THAT IS PROPRIETARY TO MOLEX ELECTRONIC TECHNOLOGIES, LLC AND SHOULD NOT BE USED WITHOUT WRITTEN PERMISSION

SYMBOLS	DIMENSION UNITS mm	SCALE 2:1	MEASUREMENTS WITHOUT TOLERANCE ACC. TO ISO 2768-m		
▽ = 0 ▽ = 0 ▽ = 0 ▽ = 0 ▽ = 0 ▽ = 0 ▽ = 0 ▽ = 0 ▽ = 0 ▽ = 0 ▽ = 0	1	REV.	CH.-NO.		
REPLACEMENT FOR:	THIRD ANGLE PROJECTION	DRAWING	A3-SIZE	CUSTOMER	REVISION
				GENERAL MARKET	1

COMMENT: ALL RIGHTS ARE RESERVED BY US FOR THIS DRAWING. WITHOUT OUR PRIOR CONSENT, IT MAY NEITHER BE DUPLICATED NOR MADE AVAILABLE TO A THIRD PARTY. AND IT ALSO MAY NOT BE IMPROPERLY USED BY THE RECEIVER, OR A THIRD PARTY.