



**CONNECT AND PROTECT**

# Plug-in Units

03/2022

  
nvent

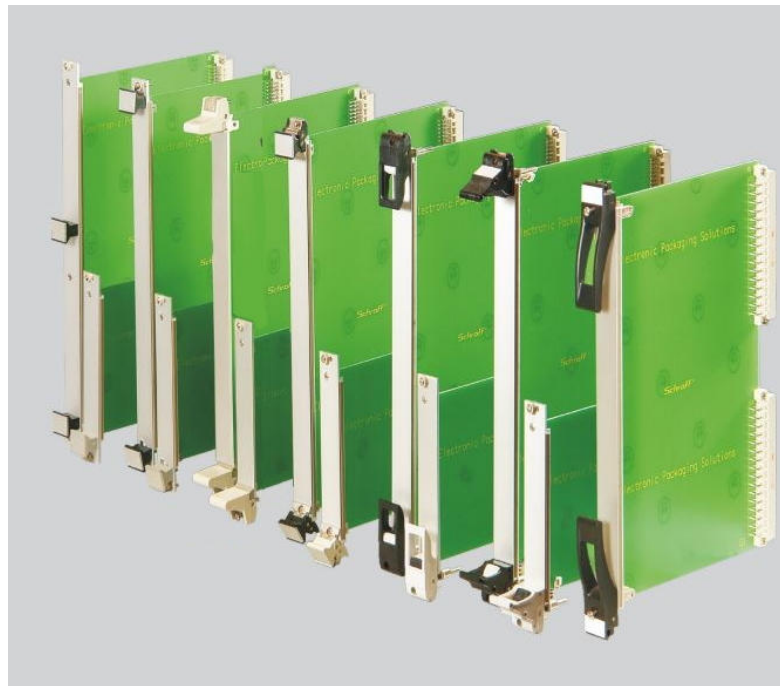
**SCHROFF**

# Plug-in units – Plug-in units

## OVERVIEW

### MAIN KATALOG

- Cabinets ..... 1
- Wall mounted cases ..... 2
- Accessories for cabinets and wall mounted cases .. 3
- Climate control .. 4
- Electronics cases ..... 5
- Subracks/ 19" chassis ..... 6
- Front panels, plug-in units ..... 7
- Systems ..... 8
- Power supply units ..... 9
- Backplanes .... 10
- Connectors, front panel component system ..... 11
- Appendix ..... 12



## PLUG-IN UNITS AS KITS OR FROM INDIVIDUAL PARTS

- Handles in different designs for various applications
- Inserter/extractor handles for forces up to 1500 N
- Upgradable EMC shielding

## STANDARDS

- IEC 60297-3-101 / IEEE 1101.1/11
- IEC 60297-3-102 / IEEE 1101.10
- IEC 60297-3-103
- IEC 1296

## WHICH HANDLE FOR WHICH OPEN STANDARD / CONNECTOR?

Standard	Connector	Picture of the connector	Qty of pins	Force	Picture handle	Suggested handle (PIU with handle)
VME	DIN connector conform with IEC 60603-2 (DIN 41612)		192	~ 180N		Static trapezoid handle, Type 1 and Type2
VME64x	DIN connector conform with IEC 60603-2 (DIN 41612)		415	~ 420N		Type IEL / IET
CompactPCI	Connector conform with IEC 61076-4-101 (Hard metric)		535	~ 610N		Type IEL / IET
CompactPCI Serial (CPCI-S.0)	Connector conform with CPCI-S.0 (Airmax VS)		1.128	~ 550N		Type IEL / IET
VXS	Connector conform with VITA 41 (Tyco MultiGig RT)		1.664	~ 1.250N		Type IEL / IET or XL
VPX	Connector conform with VITA 46 (Tyco MultiGig RT)		1.664	~ 1.250N		Type IEL / IET or XL

Remark: 6U board with two handles

## SERVICEPLUS

- e.g. individual configuration and assembly
- e.g. modifications (special colours or sizes)
- e.g. custom solutions with modification to the plug-in units



# Plug-in units – for CompactPCI, VME64x

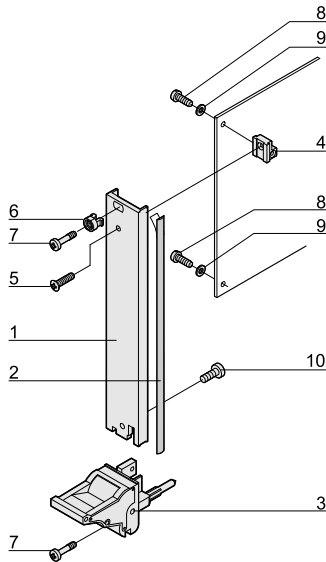
**KITS**
**PLUG-IN UNITS WITH IEL INSERTER/EXTRACTOR HANDLE FOR COMPACTPCI/VME64X APPLICATIONS**


3U, Front Assembly

3U, Rear I / O

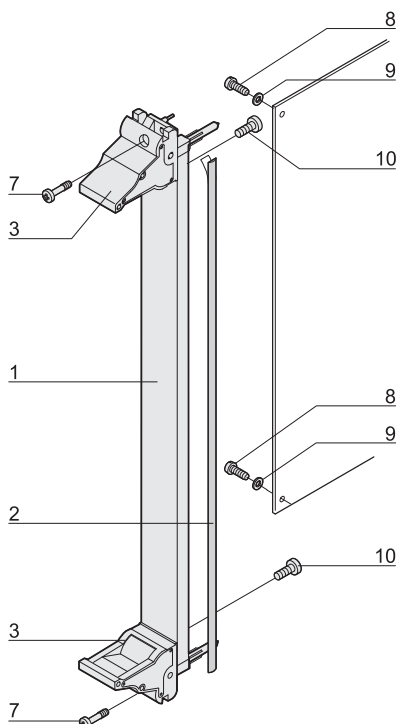
Remark: Delivery do not include the PCB

3U



04602073

6 U



04602074

- In accordance with IEEE 1101.10 and IEC 60297-3-102
- Codable to IEC 60297-3-103/ IEEE 1101.10
- Front panel shielded
- Suitable for insertion and extraction forces up to 700 N (per pair)
- Suitable for fitting microswitches
- **Plastic Material:**  
UL 94 V0, EN 45545-2, R22 - R24, HL3

**DELIVERY COMPRISES (kit)**

Item	Qty				Description
	3 U		6 U		
	<8HP	≥8HP	<8HP	≥8HP	
1	1	1	1	1	Front panel (U profile), Al, front anodised, rear conductive
2	1	1	1	1	EMC sealing (textile), core: foam, sleeve: textile cladding, CuNi coated
3	1	1	2	2	Handle with integrated alignment pin for perforated strips and guide rails, lever: plastic, PC, black, RAL 9005 key: plastic, PC, light grey, RAL 7035
4	1	1	-	-	Board support, die-cast zinc
5	1	1	-	-	Raised Pozidrive countersunk screw M2.5 × 8, St, nickel-plated
6	1	3	-	2	Sleeve, PA, grey
7	2	4	2	4	Pozidrive collar screw, M2.5 × 12.3, St, nickel-plated
8	2	2	2	2	Panhead screw with Torx/slot, M2.5 × 6, St, zinc-plated, self-locking
9	2	2	2	2	Washer A2.7, DIN 125, St, nickel-plated
10	1	1	2	2	Panhead screw with Torx, M2.5 × 7, St, nickel-plated

**ORDER INFORMATION**

Width	Part no.	Part no.
HP	Rear I/O	Front assembly

**3 U Height**

4	<b>20848-751</b>	<b>20848-585</b>
6	-	<b>20848-587</b>
8	<b>20848-752</b>	<b>20848-589</b>
10	-	<b>20848-590</b>
12	-	<b>20848-591</b>

**6 U Height**

4	-	<b>20848-592</b>
6	-	<b>20848-594</b>
8	-	<b>20848-596</b>
10	-	<b>20848-597</b>
12	-	<b>20848-598</b>

**Accessories**

Microswitch for handles, CompactPCI/VME64x application PU 10 pieces	<b>20817-606</b>
--	------------------

- Dimension drawing of front profile see page 7.30
- Description of microswitch see page 7.35

# Plug-in units – for CompactPCI, VME64x

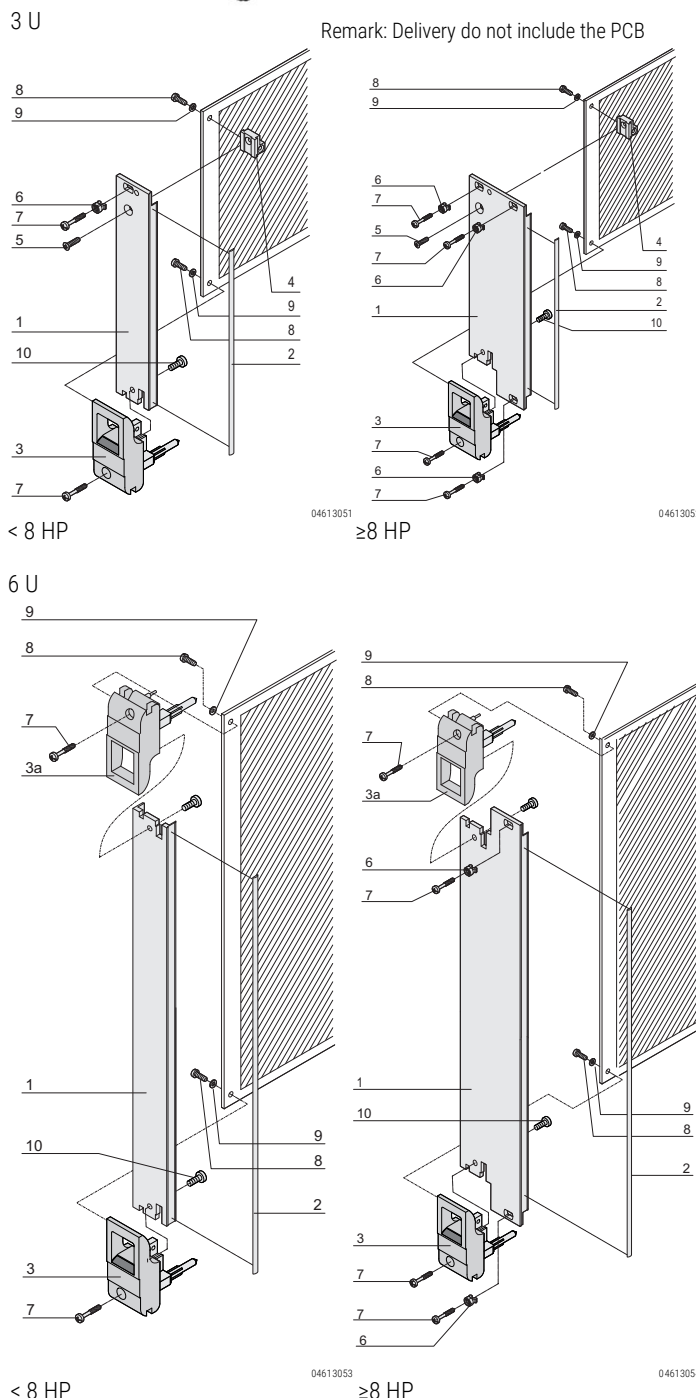
**KITS**
**PLUG-IN UNITS WITH IET INSERTION/EXTRACTOR HANDLE FOR COMPACTPCI/VME64X APPLICATIONS**


3U, Front

- Suitable for insertion and extraction forces up to 700 N (per pair)
- Version for telecoms applications
- To IEEE 1101.10 and IEC 60297-3-102
- Codable to IEC 60297-3-103/ IEEE 1101.10
- Front panel, shielded (3 U, 6 HP)
- designed for fitting of microswitches
- Online download of 3D CAD data
- **Plastic Material:**  
UL 94 V0, EN 45545-2, R22 - R24, HL3

**DELIVERY INCLUDES (Kit)**

Item	3 U		6 U		Description
	<8 HP	≥8 HP	<8 HP	≥8 HP	
1	1	1	1	1	Front panel (U profile), Al, front anodized, rear conductive
2	1	1	1	1	EMC sealing (textile), core: foam, sleeve: textile cladding, CuNi coated
3	1	1	2	2	Handle with integrated alignment pin for perforated strips and guide rails, lever: plastic, PC, black, RAL 9005 Key: Plastic, PC, light gray, RAL 7035
4	1	1	-	-	Board support, die-cast zinc
5	1	1	-	-	Raised Pozidrive countersunk screw M2.5 × 8, St, nickel-plated
6	1	3	-	2	Sleeve, PA, gray
7	2	4	2	4	Pozidrive collar screw, M2.5 × 12.3, St, nickel-plated
8	2	2	2	2	Panhead screw with Torx/slot, M2.5 × 6, St, zinc-plated, self-locking
9	2	2	2	2	Washer A2.7, DIN 125, St, nickel-plated
10	1	1	2	2	Panhead screw with Torx, M2.5 × 7, St, nickel-plated

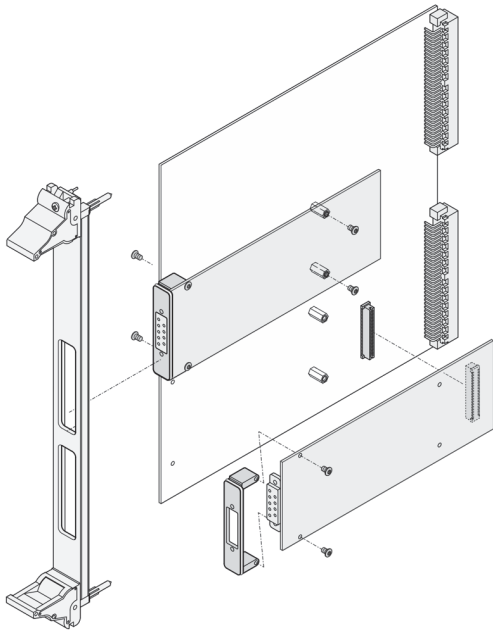

**ORDER INFORMATION**

Width HP	Part no.
<b>3 U Height</b>	
4	<b>20848-763</b>
8	<b>20848-764</b>
12	<b>20848-765</b>
<b>6 U Height</b>	
4	<b>20848-766</b>
8	<b>20848-767</b>
12	<b>20848-768</b>
<b>Accessories</b>	
Coding peg, PC, UL 94 V-0, grey, RAL 7035 PU 100 pieces	<b>20817-501</b>
Microswitch for handles, CompactPCI/VME64x application PU 10 pieces	<b>20817-606</b>

- For description of coding peg and microswitch see page 7.23
- Description of microswitch see page 7.31

# Assemblies – for CompactPCI, VME64x

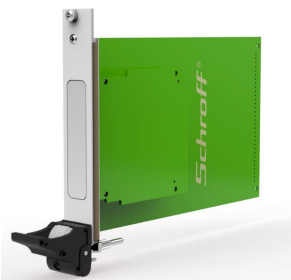
## PMC MEZZANINE FRONT PANELS



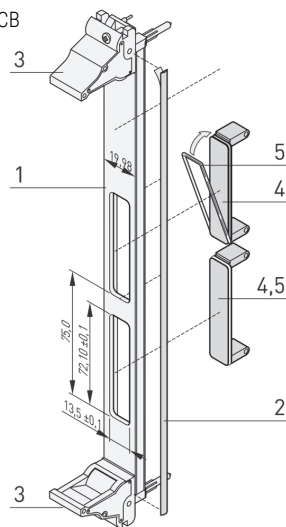
04621050

- PMC = PCI Mezzanine Card
- For standard defined I/O mezzanine modules which connect to carrier cards
- For Single-Module 69.0 x 76.5 mm or Double-Module 139.0 x 76.5 mm modules
- In accordance with IEEE 1386.1 Spezification

## PMC MEZZANINE FRONT PANEL KIT, SHIELDED, WITH IEL HANDLE



Remark: Delivery do not include the PCB



- 3 U or 6 U, 4 HP, U-shaped front panels with textile gasketing
- 1 or 2 PMC cutouts (depending on height)
- 1 or 2 IEL-handle (depending on height)
- EMC shielded, both the front panel and the FMC bezels
- **Plastic Material:**  
UL 94 V0, EN 45545-2, R22 - R24, HL3

### DELIVERY INCLUDES (assembled)

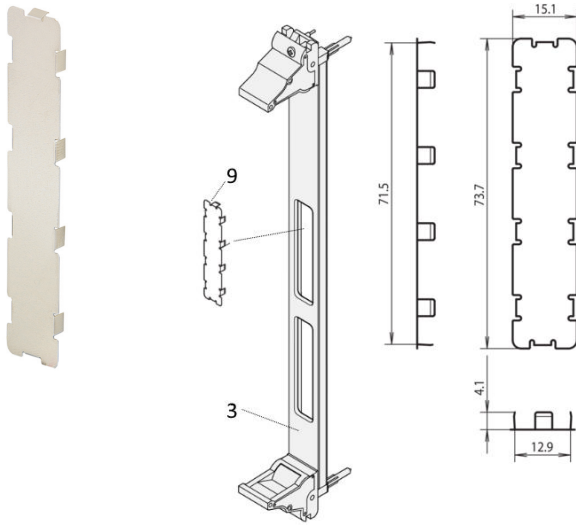
Item	Qty	Description	
	3 HE	6 HE	
1	1	1	PMC front panel, U profile, Al, 4 HP, front anodized, rear conductive, 3 U has 1 cut out, 6 U has 2 cut outs
2	1	1	EMC textile gasket for front panel
3	1	2	IEL handle (handel, black, RAL 9005; button, light grey, RAL 7035)
4	1	2	PMC bezel for front panel cut outs
5	1	2	EMC gasket (O-ring)
6	1	1	Assembly kit

### ORDER INFORMATION

Height	Part no.
U	
3	<b>20836-460</b>
6	<b>20836-461</b>
Accessories	
Spacer to mount PMC mezzanine boards	see page 7.23

# Modules – for CompactPCI, VME64x

## PMC CUTOUT COVER FOR EMC PROTECTION



04610028

Item 9: EMC cover; Item 3: front panel

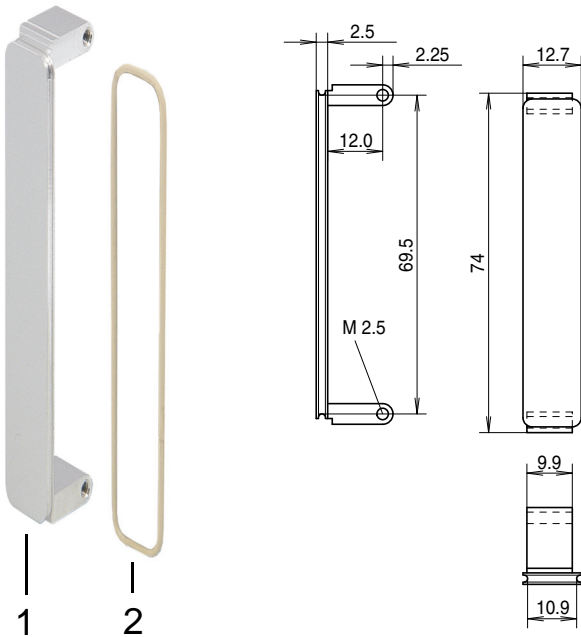
- EMC cover to close unused cut-outs in the PMC mezzanine front panels
- Material stainless steel, 0.2 mm
- Colour: black or bright

### ORDER INFORMATION

Colour	Qty	Part no.
Black	1 piece (SPQ 10)	<b>60835-024</b>
Bright	1 piece (SPQ 10)	<b>60835-022</b>

Delivery is exclusively made in Standard Pack Quantity (SPQ): Please order at least 10 pieces or a multiple.  
Pricing is per individual item.

## PMC BEZEL FOR MEZZANINE FRONT PANELS



04610029

mpa44846

- Mezzanine front panel is fitted into PMC front panel cut-outs; EMC shielding with conductive O-ring
- Material:
  - Aluminium extrusion (anodised, contact surfaces conductive)

### DELIVERY COMPRISES (kit)

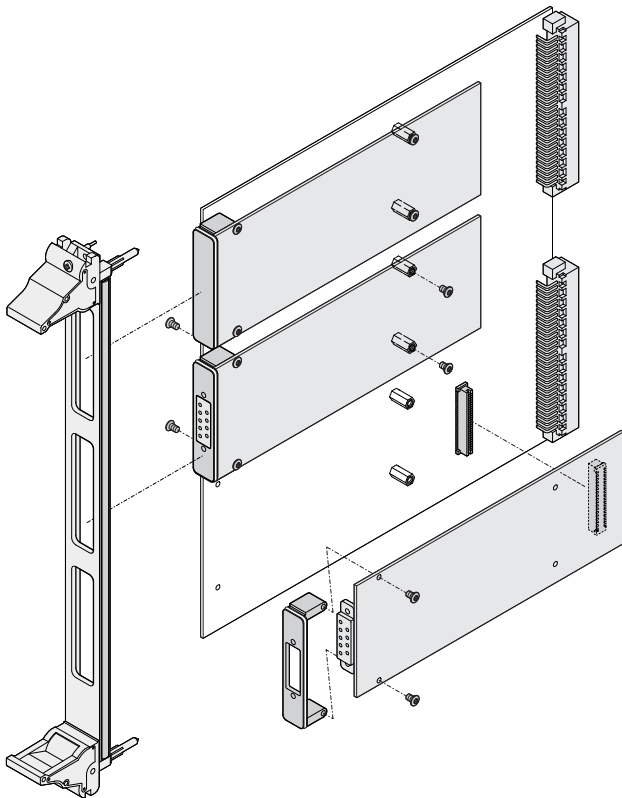
Item	Qty	Description
1	1	PMC bezel for mezzanine front panel, Al extrusion
2	1	EMC gasket (O-ring), Cho-Seal

### ORDER INFORMATION

PMC mezzanine front panel	Qty/PU	with EMC gasket	without EMC gasket
Material		Part no.	Part no.
Al extrusion, anodised, contact surfaces conductive	1	<b>20835-598</b>	-
Al extrusion, anodised, contact surfaces conductive	10	<b>20835-889</b>	<b>20835-899</b>
EMC gasket O-ring, 1 piece (Standard Pack Quantity 10 pieces)			<b>60835-021</b>
Cheese head screw M2.5 × 5 mm, PU 100 pieces			<b>21100-624</b>

# Assemblies – for CompactPCI, VME64x

## FMC MEZZANINE FRONT PANELS



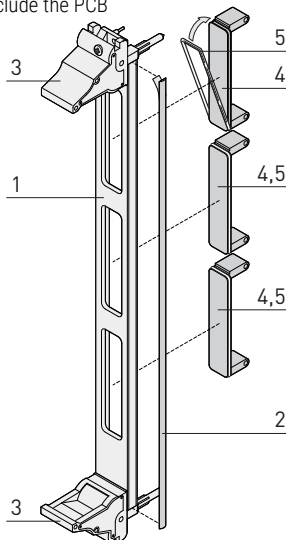
04615052

- FMC = FPGA mezzanine card
- For standard defined I/O mezzanine modules which connect to carrier cards
- For single 69.0 x 76.5 mm or double 139.0 x 76.5 mm modules
- In accordance with Vita 57.1 specification

## FMC MEZZANINE FRONT PANEL KIT, SHIELDED, WITH IEL HANDLE



Remark: Delivery do not include the PCB



04615050

- 3 U or 6 U, 4 HP, U-shaped front panels with textile gasketing
- 1 or 3 FMC cutouts (depending on height)
- 1 or 2 IEL front handles (depending on height)
- EMC shielded, both the front panel and the FMC bezels
- **Plastic Material:**  
UL 94 V0, EN 45545-2, R22 - R24, HL3

### DELIVERY INCLUDES (assembled)

Item	Qty	Description	
	3 U	6 U	
1	1	1	FMC front panel, U profile, Al, 4 HP, front anodized, rear conductive, 3 U has 1 cut out, 6 U has 3 cut outs
2	1	1	EMC textile gasket for front panel
3	1	2	IEL handle (handel, black, RAL 9005; button, light grey, RAL 7035)
4	1	3	FMC bezel for front panel cut outs
5	1	3	EMC gasket (O-ring)
6	1	1	Assembly kit

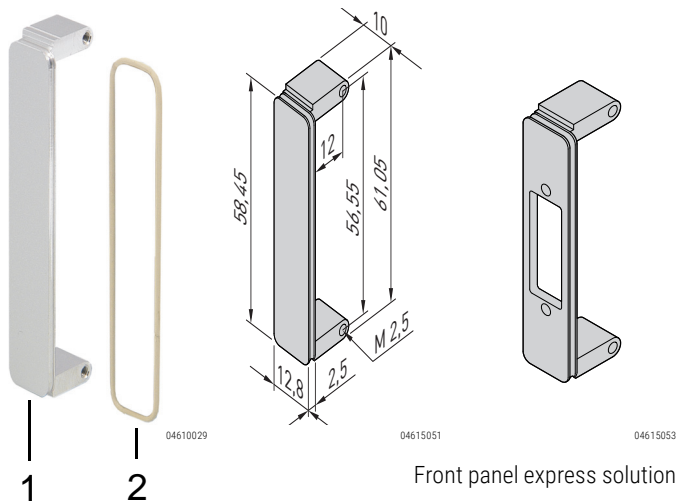
### ORDER INFORMATION

Height	Part no.
U	
3	20836-253
6	20836-254
Accessories	
Spacer to mount PMC mezzanine boards	see page 7.23



# Assemblies – for CompactPCI, VME64x

## EMC BEZEL FOR FMC MEZZANINE FRONT PANEL CUT-OUTS

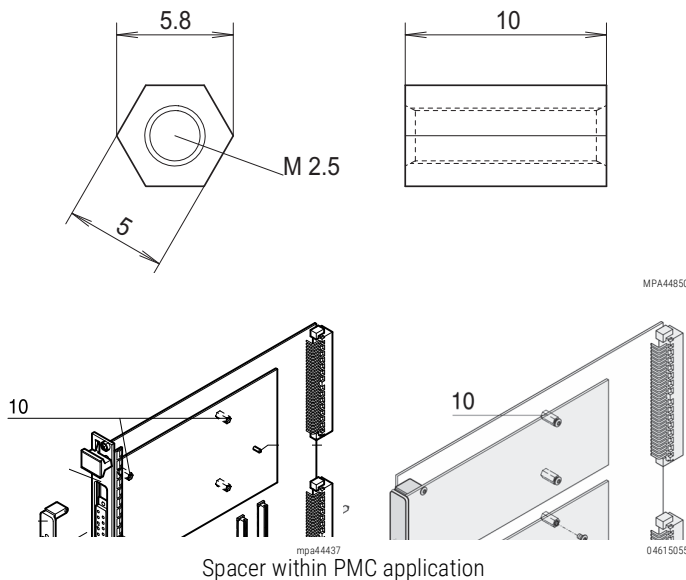


- FMC bezel is fitted into FMC Mezzanine front panel cut-outs
- Material, Al extrusion (anodised, contact surface conductive)
- Shielding for FMC bezels with an optional conductive O-ring, please order separately

### ORDER INFORMATION

Description	Item	Qty/PU piece	Part no.
EMC bezel for FMC Mezzanine front panel cut outs	1	10	20835-849
<b>Accessories</b>			
EMC gasket for mezzanine front panel item 2, O-ring, (VITA 57.1), (standard pack quantity 10 pieces)	2	1	<b>60835-077</b>
Cheese head screw M2.5 x 5 mm, PU 100 pieces			<b>21100-624</b>

## SPACER TO MOUNT PMC AND FMC MEZZANINE BOARDS



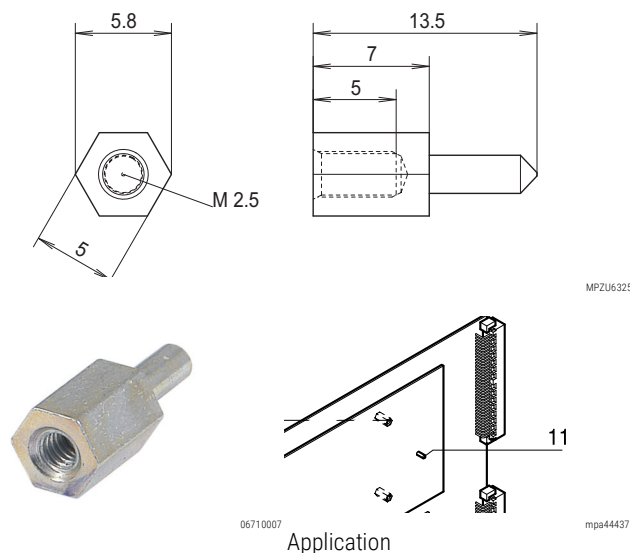
- To provide a standoff between mezzanine boards per the IEEE P1386 or VITA 57.1 specification and the carrier card

### ORDER INFORMATION

Description	Item	Material	Qty	Part no.
Spacer	10	St, Stainless	1 piece (SPQ 10)	<b>60897-278</b>

Delivery is exclusively made in Standard Pack Quantity (SPQ): Please order at least 10 pieces or a multiple.  
Pricing is per individual item.

## VOLTAGE KEYING/CODING PIN FOR PMC MEZZANINE BOARDS



- To prevent accidental damage when fitting mezzanine boards, keying/coding pins are bolted to the VMEbus boards to distinguish between 3.3 V and 5 V operation. The mezzanine boards have a hole drilled in the appropriate position. The keying/coding pin thus ensures that only mezzanine boards with the same operating voltage can be inserted. For double-height euroboards 2 pieces are required.

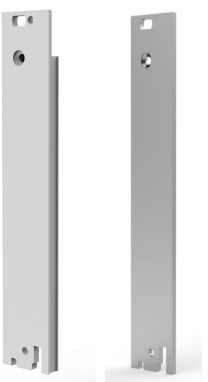
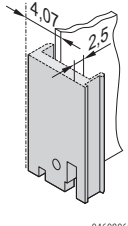
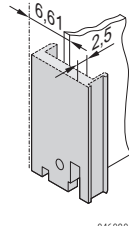
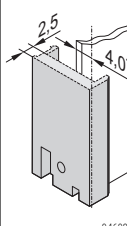
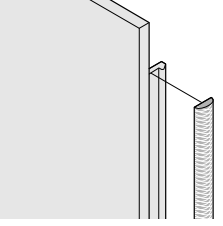
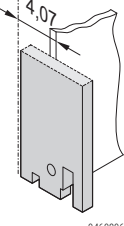
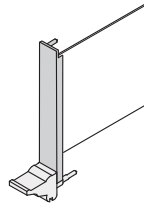
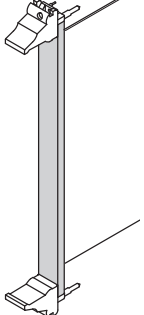
### ORDER INFORMATION

Description	Item	Material	Qty	Part no.
Keying/coding pin 5 V/3.3 V	11	St, Stainless	1 piece (SPQ 10)	<b>60827-026</b>

Delivery is exclusively made in Standard Pack Quantity (SPQ): Please order at least 10 pieces or a multiple.  
Pricing is per individual item.

# Modules – for CompactPCI, VME64x

**INDIVIDUAL COMPONENTS**
**FRONT PANELS, U-PROFILES, FOR EXTRACTOR HANDLES, TYPE IEL, IET**
**ORDER INFORMATION**

	Front panel, U profile, shieldable			Textile EMC gasket		Front panel, flat, unshielded, front mounting	
	Front mounting	Front mounting, PCB fixing with 0.1" offset	Rear I/O mounting				
 <p>U-Profile Front panel   Flat Front panel</p>	 <p>04608060</p>	 <p>04608062</p>	 <p>04608061</p>	 <p>BGA45760</p>	 <p>04608063</p>		
	Al extrusion, 2.5 mm, front anodised, rear conductive; alignment pin pressed-in (3 U only), stainless steel; manufacturing process causes various surface structures to appear between 4 to 12 HP and 14 to 16 HP			always fixed laterally on the front panel, in the groove of the profile, textile gasket, core: foam, sleeve: textile cladding with CuNi coating, UL 94 V-0, temperature range -40 ... 70 °C		front panel, Al, 2.5 mm, front anodised, rear iridescent green chromated	
	1 piece (SPQ 5) <sup>1)</sup>	1 piece (SPQ 5) <sup>1)</sup>	1 piece (SPQ 5) <sup>1)</sup>	PU 10 pieces	PU 100 pieces	1 piece (SPQ 5) <sup>1)</sup>	
<b>3 U Height</b>							
 <p>04608067</p>	4	<b>30848-312</b>	<b>30848-426</b>	<b>30848-867</b>		<b>30848-327</b>	
	5	<b>30848-300</b>	<b>30848-427</b>	–		<b>30848-328</b>	
	6	<b>30848-313</b>	<b>30848-428</b>	–		<b>30848-329</b>	
	7	<b>30848-301</b>	<b>30848-429</b>	–		<b>30848-330</b>	
	8	<b>30848-314</b>	<b>30848-430</b>	<b>30848-869</b>		<b>30848-331</b>	
	9	<b>30848-299</b>	–	–	<b>21101-853</b>	<b>21101-854</b>	–
	10	<b>30848-315</b>	<b>30848-431</b>	–		<b>30848-333</b>	
	11	<b>20848-228</b>	–	–		–	
	12	<b>30848-316</b>	<b>30848-432</b>	<b>30848-985</b>		<b>30848-335</b>	
	14	<b>20848-230</b>	–	–		–	
16	<b>20848-232</b>	–	–		–		
<b>6 U Height</b>							
 <p>04608066</p>	4	<b>30848-317</b>	<b>30848-317</b>	<b>30848-317</b>		<b>30848-336</b>	
	5	<b>30848-304</b>	<b>30848-304</b>	<b>30848-304</b>		<b>30848-337</b>	
	6	<b>30848-318</b>	<b>30848-318</b>	<b>30848-318</b>		<b>30848-338</b>	
	7	<b>30848-305</b>	<b>30848-305</b>	<b>30848-305</b>		<b>30848-339</b>	
	8	<b>30848-319</b>	<b>30848-319</b>	<b>30848-319</b>		<b>30848-340</b>	
	9	<b>30848-999</b>	<b>30848-999</b>	<b>30848-999</b>	<b>21101-855</b>	<b>21101-856</b>	–
	10	<b>30848-320</b>	<b>30848-320</b>	<b>30848-320</b>		<b>30848-342</b>	
	11	<b>20848-244</b>	<b>20848-244</b>	<b>20848-244</b>		–	
	12	<b>30848-321</b>	<b>30848-321</b>	<b>30848-321</b>		<b>30848-344</b>	
	14	<b>20848-246</b>	<b>20848-246</b>	<b>20848-246</b>		–	
16	<b>20848-248</b>	<b>20848-248</b>	<b>20848-248</b>		–		
Fixing material see page	7.27	7.27	7.27			7.27	
Dimensions see page	7.30	7.30	7.29			7.31	

1) SPQ (standard pack quantity): Part number includes 1 piece, but delivery is exclusively made in standard pack quantity (SPQ); please order at least the SPQ quantity or a multiple

Part no. includes one packing unit (PU); delivery is exclusively made in PU

# Modules – for CompactPCI, VME64x

**INDIVIDUAL COMPONENTS**
**INSERTER/EXTRACTOR HANDLE, TYPE IEL**
**ORDER INFORMATION**

	Inserter/extractor handle, type IEL, board fixing without offset				Inserter/extractor handle, type IEL, board fixing with 0.1" offset						
	lever: light grey, RAL 7035 key: black, RAL 9005		lever: black, RAL 9005 key: lightgrey, RAL 7035		lever: light grey, RAL 7035 key: black, RAL 9005		lever: black, RAL 9005 key: lightgrey, RAL 7035				
	<p>04608050</p> <p>in accordance with IEEE 1101.10 and IEC 60297-3-102, with locking, suitable for insertion and extraction forces up to 700 N (per pair), suitable for fitting of microswitches; block die-cast zinc, nickel-plated, with integrated alignment pin for perforated strip, codable to IEEE 1101.10 and IEC 60297-3-103, lever/key UL 94 V0, EN 45545-2, R22 - R24, HL 3, slotted Pozidrive collar screw, M2.5 x 12.3, St, nickel-plated, panhead screw with Torx, M2.5 x 7, St, nickel-plated</p>				<p>04608052</p> <p>in accordance with IEEE 1101.10 and IEC 60297-3-102, with locking, suitable for insertion and extraction forces up to 700 N (per pair), suitable for fitting of microswitches; 0.1" offset is used for PSUs with SMD Plus, block die-cast zinc, nickel plated; with integrated alignment pin for perforated strip, codable to IEEE 1101.10 and IEC 60297-3-103, lever/key UL 94V0, EN 45545-2, R22 - R24, HL 3, slotted Pozidrive collar screw, M2.5 x 12.3, St, nickel-plated, panhead screw with Torx, M2.5 x 7, St, nickel-plated</p>						
<b>Assembly</b>	PU 10 pieces	PU 100 pieces	PU 10 pieces	PU 100 pieces	PU 10 pieces	PU 100 pieces	PU 10 pieces	PU 100 pieces			
	<b>3 U Height bottom</b>										
	<b>Front side</b>	<b>20817-620</b>	<b>20817-621</b>	<b>20817-612</b>	<b>20817-613</b>	<b>20817-690</b>	<b>20817-691</b>	<b>20817-682</b>	<b>20817-683</b>		
	<b>Rear I/O</b>	<b>20817-622</b>	<b>20817-623</b>	<b>20817-614</b>	<b>20817-615</b>	-	-	-	-		
	<b>6 U Height top</b>										
	<b>Front side</b>	<b>20817-622</b>	<b>20817-623</b>	<b>20817-614</b>	<b>20817-615</b>	<b>20817-692</b>	<b>20817-693</b>	<b>20817-684</b>	<b>20817-685</b>		
	<b>Rear I/O</b>	<b>20817-620</b>	<b>20817-621</b>	<b>20817-612</b>	<b>20817-613</b>	-	-	-	-		
	<b>bottom</b>										
	<b>Front side</b>	<b>20817-620</b>	<b>20817-621</b>	<b>20817-612</b>	<b>20817-613</b>	<b>20817-690</b>	<b>20817-691</b>	<b>20817-682</b>	<b>20817-683</b>		
	<b>Rear I/O</b>	<b>20817-622</b>	<b>20817-623</b>	<b>20817-614</b>	<b>20817-615</b>	-	-	-	-		
Dimensions see page				7.32				7.32			

# Plug-in units – for CompactPCI, VME64x

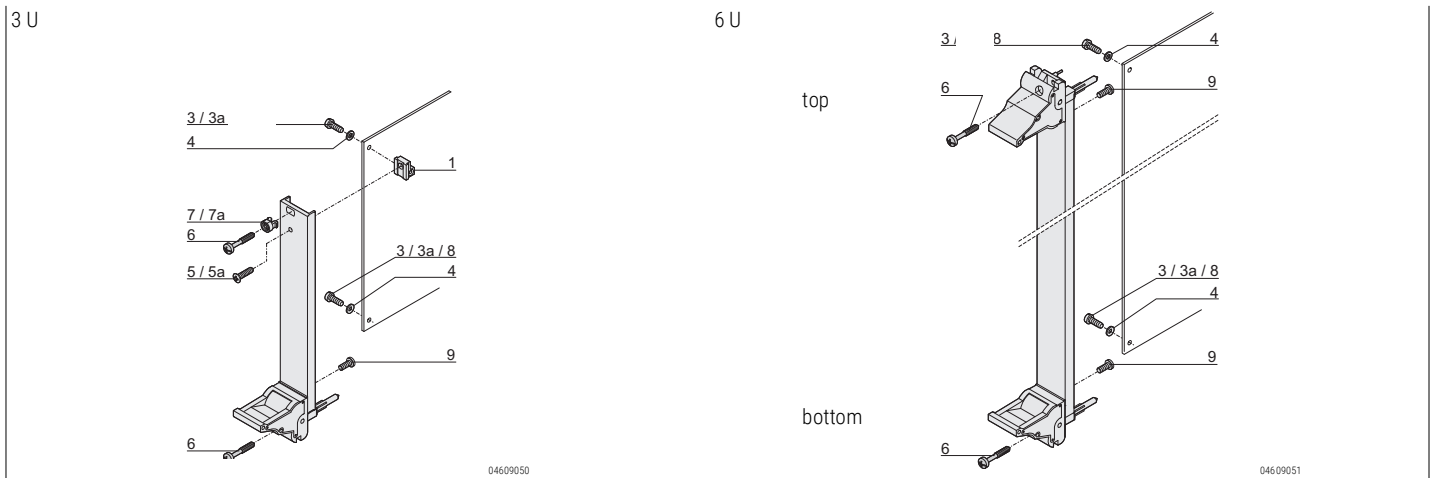
**INDIVIDUAL COMPONENTS**

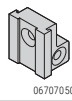

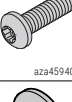


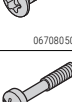
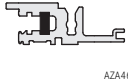





**INSERTER/EXTRACTOR HANDLE, TYPE IET**

## ORDER INFORMATION

		Inserter/extractor handle, type IET, board fixing without offset				Inserter/extractor handle, type IET, board fixing with 0.1" offset			
		lever: light grey, RAL 7035 key: black, RAL 9005		lever: black, RAL 9005 key: lightgrey, RAL 7035		lever: light grey, RAL 7035 key: black, RAL 9005		lever: black, RAL 9005 key: lightgrey, RAL 7035	
		 		 		 		 	
		<p>in accordance with IEEE 1101.10 and IEC 60297-3-102, with locking, suitable for insertion and extraction forces up to 700 N (per pair), suitable for fitting of microswitches; block die-cast zinc, nickel-plated, with integrated alignment pin for perforated strip, codable to IEEE 1101.10 and IEC 60297-3-103, lever/key UL 94 V0, EN 45545-2, R22 - R24, HL 3, Slotted Pozidrive collar screw, M2.5 x 12.3, St, nickel-plated, panhead screw with Torx, M2.5 x 7, St, nickel-plated</p>				<p>in accordance with IEEE 1101.10 and IEC 60297-3-102, with locking, suitable for insertion and extraction forces up to 700 N (per pair), suitable for fitting of microswitches; 0.1" offset is used for PSUs with SMD Plus: block die-cast zinc, nickel plated; with integrated alignment pin for perforated strip, codable to IEEE 1101.10 and IEC 60297-3-103, lever/key UL 94 V0, EN 45545-2, R22 - R24, HL 3, slotted Pozidrive collar screw, M2.5 x 12.3, St, nickel-plated, panhead screw with Torx, M2.5 x 7, St, nickel-plated</p>			
<b>Assembly</b>		PU 10 pieces	PU 100 pieces	PU 10 pieces	PU 100 pieces	PU 10 pieces	PU 100 pieces	PU 10 pieces	PU 100 pieces
		<b>3 U Height bottom</b>							
<b>Front side</b>		<b>20817-660</b>	<b>20817-661</b>	<b>20817-652</b>	<b>20817-653</b>	<b>20817-714</b>	<b>20817-715</b>	<b>20817-706</b>	<b>20817-707</b>
<b>Rear I/O</b>		<b>20817-662</b>	<b>20817-663</b>	<b>20817-654</b>	<b>20817-655</b>	-	-	-	-
		<b>6 U Height top</b>							
<b>Front side</b>		<b>20817-662</b>	<b>20817-663</b>	<b>20817-654</b>	<b>20817-655</b>	<b>20817-716</b>	20817-717	<b>20817-708</b>	<b>20817-709</b>
<b>Rear I/O</b>		<b>20817-660</b>	<b>20817-661</b>	<b>20817-652</b>	<b>20817-653</b>	-	-	-	-
		<b>bottom</b>							
<b>Front side</b>		<b>20817-660</b>	<b>20817-661</b>	<b>20817-652</b>	<b>20817-653</b>	<b>20817-714</b>	<b>20817-715</b>	<b>20817-706</b>	<b>20817-707</b>
<b>Rear I/O</b>		<b>20817-662</b>	<b>20817-663</b>	<b>20817-654</b>	<b>20817-655</b>	-	-	-	-
Fixing material see page		7.27				7.27			
Dimensions see page		7.33				7.33			

# Plug-in units – for CompactPCI, VME64x

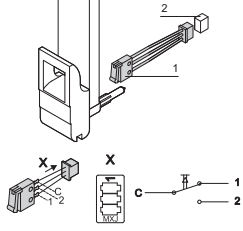
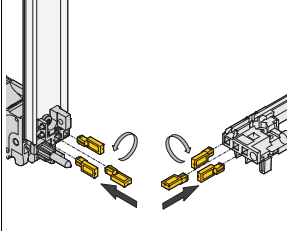
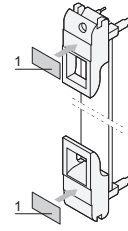
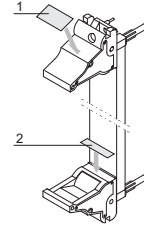
**INDIVIDUAL COMPONENTS**
**INSERTER/EXTRACTOR HANDLES, TYPE IEL/IET, FIXING MATERIAL**


Fixing material	Item	3 U	Required quantity				Qty/PU	Part no.
			3 U		6 U			
			< 8 HP	≥ 8 HP	< 8 HP	≥ 8 HP		
Printed board bracket Zn die-cast	1		1	1	-	-	1 piece (SPG 10) <sup>1)</sup>	<b>60807-181</b>
Pozidrive panhead screw M2.5 × 6, St, nickel-plated, not for 0.1" offset	3		2	2	2	2	100	<b>21101-219</b>
Slotted panhead screw with Torx 8 M2.5 × 6, St, zinc-plated, self-securing thread not for 0.1" offset	3a		2	2	2	2	100	<b>24560-159</b>
Washer 2.7, DIN 125, St, nickel-plated	4		2	2	2	2	100	<b>21100-721</b>
Raised Pozidrive countersunk panhead screw M2.5 × 8, St, nickel-plated	5		1	1	-	-	100	<b>21100-429</b>
Raised countersunk panhead screw with Torx 8 M2.5 × 8, St, nickel-plated	5a		1	1	-	-	100	<b>24560-164</b>
Pozidrive/slotted collar screw M2.5 × 12.3, St, nickel-plated	6		1	3	-	2	100	<b>21101-101</b>
Collar screws pozidrive/slot (Philips) M2.5 × 12.3, St, nickel-plated	6		1	3	-	2	100	<b>21102-026</b>
Plastic sleeve, for form hole 5.9 × 3.3 PA, UL 90 V-2, grey	7		1	3	-	2	100	<b>21100-464</b>
Metal sleeve, for form hole 5.9 × 3.3, press-in Stainless steel	7a		1	3	-	2	100	<b>21100-662</b>
Pozidrive panhead screw for IEL/IET handle with 0.1" offset M2.5 × 10, nickel-plated steel	8		2	2	2	2	100	<b>21101-220</b>
Torx panhead screw M2.5 × 7, St, nickel-plated, Torx 8,	9		1	1	2	2	100	<b>24560-147</b>

SPQ (standard pack quantity): Part number includes 1 piece, but delivery is exclusively made in standard pack quantity (SPQ); please order at least the SPQ quantity or a multiple

# Plug-in units – for CompactPCI, VME64x

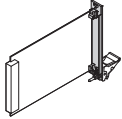
**INDIVIDUAL COMPONENTS**
**INSERTER/EXTRACTOR HANDLES, TYPE IEL/IET, ACCESSORIES**
**ORDER INFORMATION**

Microswitch	Keying/coding	Label strips	Label strips	
with cable and plug	in accordance with IEC 60297-3-103	19 x 9.5 mm	19 x 9.5 mm	19 x 4.8 mm
 <p>bga46314 bga46315</p> <p>Molex connector housing 51021-0300, Molex crimp contact 50058-8000 and fixing clip (item 3), plastic, PC, UL 94 V-0, max. switched current 50 mA, operating range -25 °C to +70 °C, mech. life ≥ 20,000 switching cycles, electr. life ≥ 20,000 switching cycles; suitable mating connectors (item 2) e.g. Molex 53261-0319, 53048-0310, 53047-0310, 53398-0319, 51047-0300 not included in scope of delivery</p>	 <p>04612052</p> <p>The keying/coding pegs prevent plug-in units to be mounted in wrong slots. They are inserted in the chambers of the codable card guides as well as in the insertion/extraction handles IEL or IET (4 possible positions), resulting in 64 codings per card guide; when coding the upper and lower card guide, 4096 codings will result; guide rails for coding see page 6.40</p>	 <p>04606050</p> <p>Polyester, self-adhesive, white, 1 sheet 210 pieces (Item 1)</p>	 <p>bga46317</p> <p>Polyester, self-adhesive, white, 1 sheet 210 pieces (item 1)</p>	<p>Polyester, self-adhesive, white, 1 sheet 320 pieces (item 2)</p>
PU 10 pieces	PU 100 pieces	PU 210 pieces	PU 210 pieces	PU 320 pieces
<b>3 U Height</b>				
bottom				
<b>20817-606</b>	<b>20817-501</b>	<b>60817-340</b>	<b>60817-340</b>	<b>60817-341</b>
<b>6 U Height</b>				
top				
<b>20817-606</b>	<b>20817-501</b>	<b>60817-340</b>	<b>60817-340</b>	<b>60817-341</b>
bottom				
<b>20817-606</b>	<b>20817-501</b>	<b>60817-340</b>	<b>60817-340</b>	<b>60817-341</b>

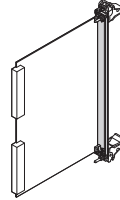
# Plug-in units – for CompactPCI, VME64x

**DIMENSIONS**
**FRONT PANELS, U-PROFILES, INSERTER/EXTRACTOR HANDLES, TYPE IEL/IET, REAR I/O, SHIELDABLE**

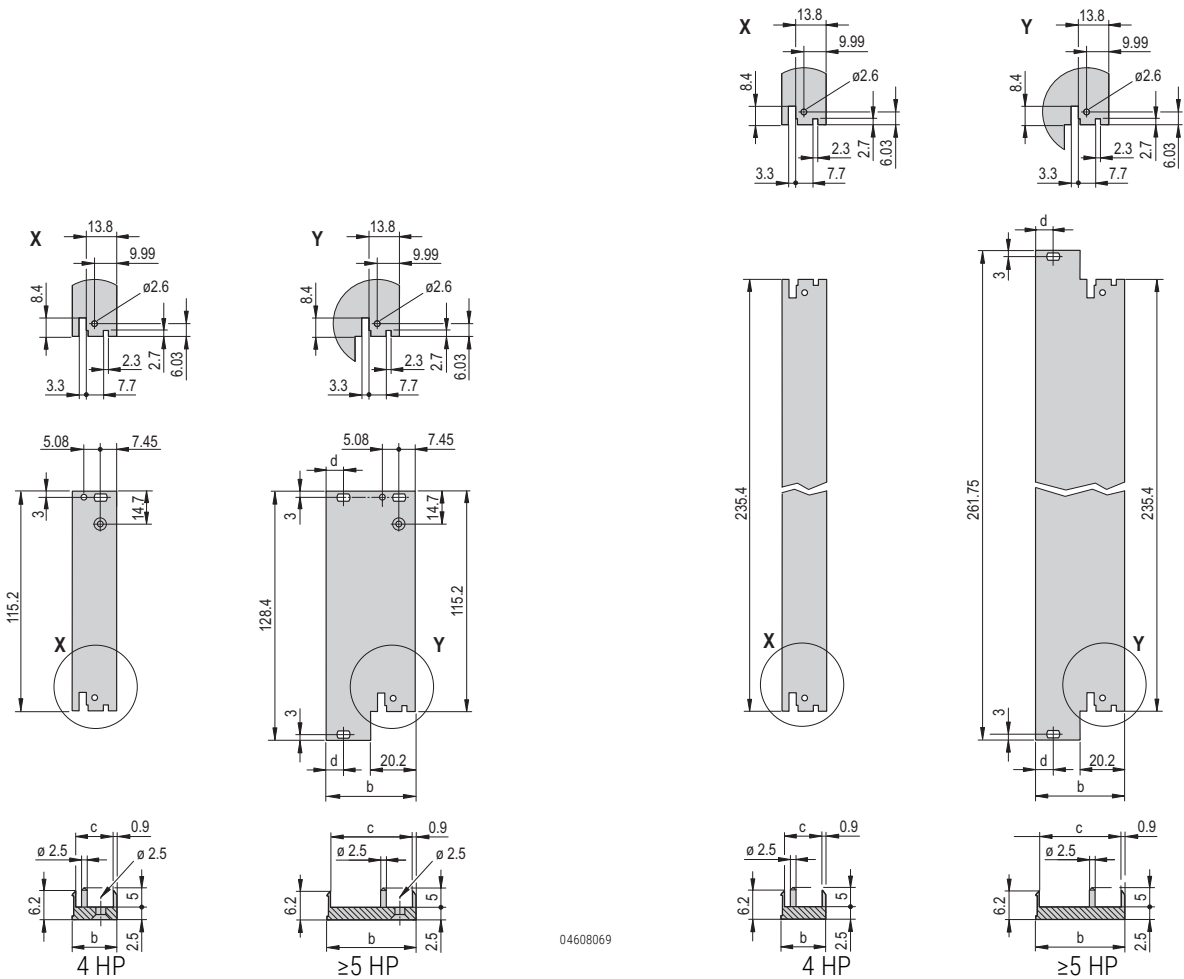
PCB fixing without offset

**3 U**


04608068

**6 U**


04608076



04608069

04608075

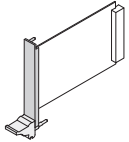
**Dimensions table**

Width HP	b mm	c mm	d mm
4	19.98	17.45	-
5	25.06	22.53	-
6	30.14	27.61	-
7	35.22	32.69	-
8	40.30	37.77	7.45
9	45.38	42.85	7.45
10	50.46	47.93	7.45
11	55.54	53.01	7.45
12	60.62	58.09	7.45
14	70.78	68.25	7.45
16	80.94	78.41	7.45

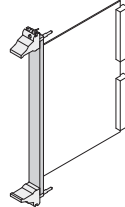
# Plug-in units – for CompactPCI, VME64x

**DIMENSIONS**
**FRONT PANELS, U-PROFILES, INSERTER/EXTRACTOR HANDLES, TYPE IEL, IET, SHIELDABLE**

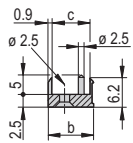
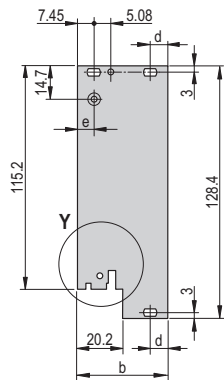
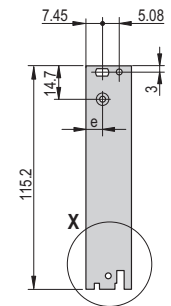
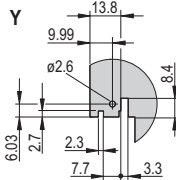
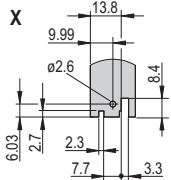
PCB fixing without offset / with 0.1" offset

**3 U**


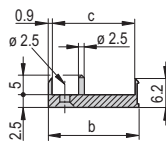
04608067

**6 U**


04608066

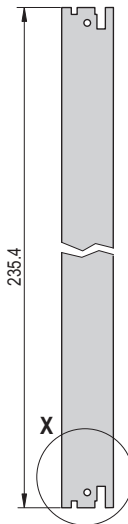


4 HP

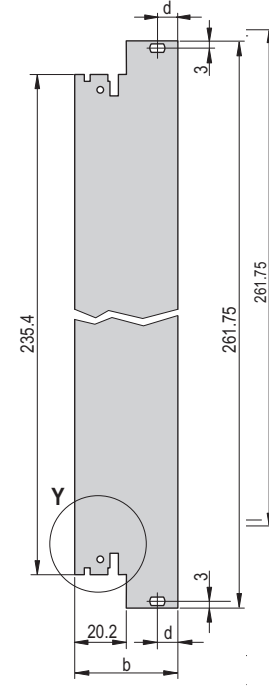
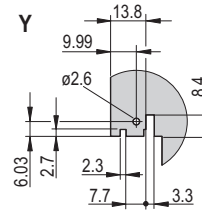


≥5 HP

04608064



4 HP



04608065

**Dimensions table**

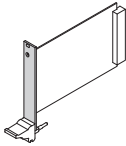
Width HP	b mm	c mm	d mm	without offset	with 0.1" offset
				e mm	e mm
4	19.98	17.45	-	7.45	9.99
5	25.06	22.53	-	7.45	9.99
6	30.14	27.61	-	7.45	9.99
7	35.22	32.69	-	7.45	9.99
8	40.30	37.77	7.45	7.45	9.99
9	45.38	42.85	7.45	7.45	9.99
10	50.46	47.93	7.45	7.45	9.99
11	55.54	53.01	7.45	7.45	9.99
12	60.62	58.09	7.45	7.45	9.99
14	70.78	68.25	7.45	7.45	9.99
16	80.94	78.41	7.45	7.45	9.99



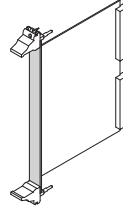
# Plug-in units – for CompactPCI, VME64x

**DIMENSIONS**
**FRONT PANELS, INSERTER/EXTRACTOR HANDLES, TYPE IEL/IET, UNSHIELDED**

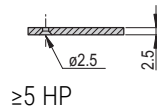
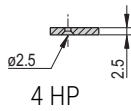
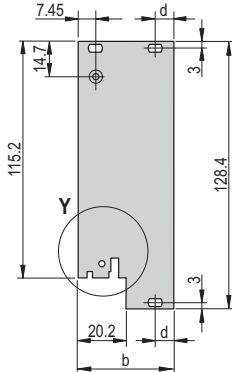
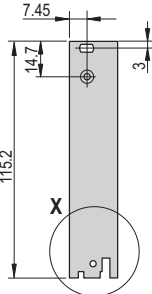
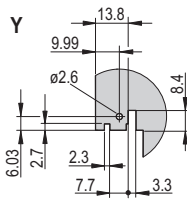
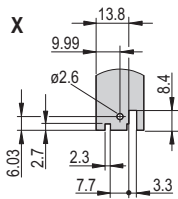
PCB fixing without offset

**3 U**


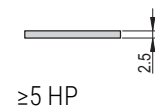
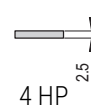
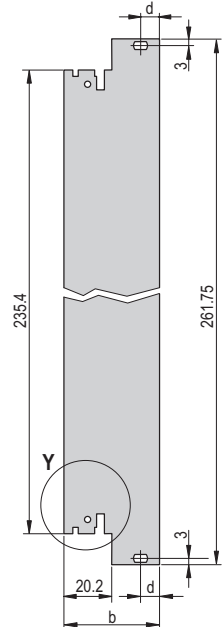
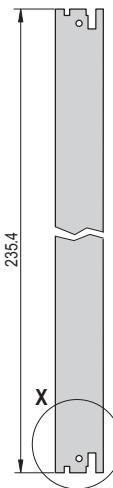
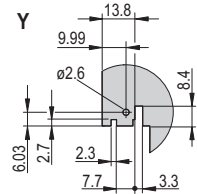
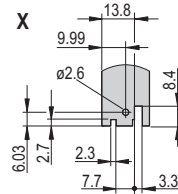
04608080

**6 U**


04608079



04608077



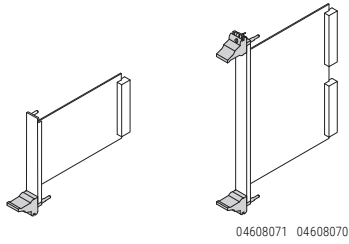
04608078

Dimensions table		
Width HP	b mm	d mm
4	19.98	-
5	25.06	-
6	30.14	-
7	35.22	-
8	40.30	7.45
9	45.38	7.45
10	50.46	7.45
11	55.54	7.45
12	60.62	7.45
14	70.78	7.45
16	80.94	7.45

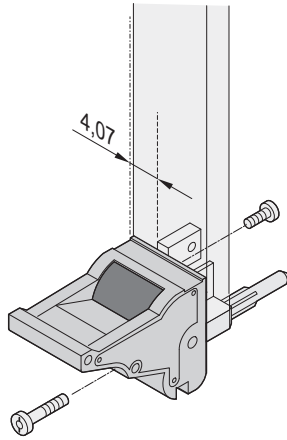
# Plug-in units – for CompactPCI, VME64x

**DIMENSIONS**

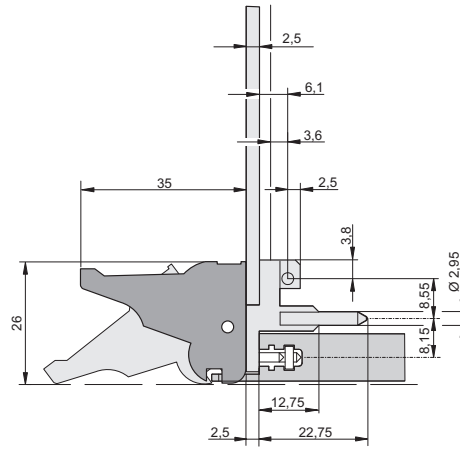
**INSERTER/EXTRACTOR HANDLE, TYPE IEL**



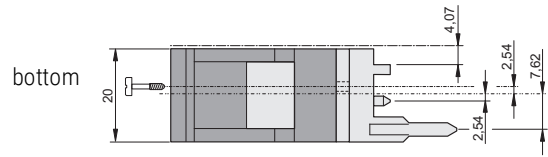
04608071 04608070



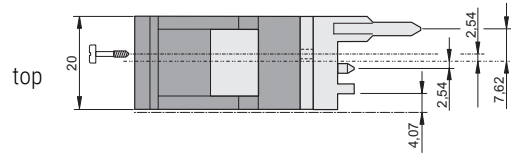
04608050



04603059



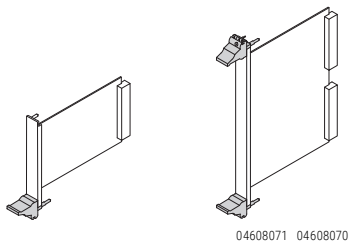
04607053



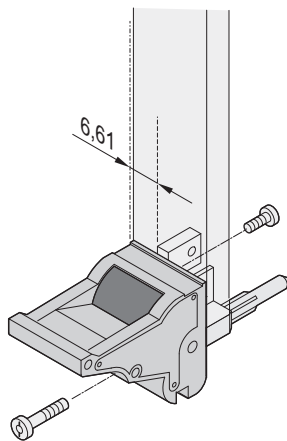
04607054

**DIMENSIONS**

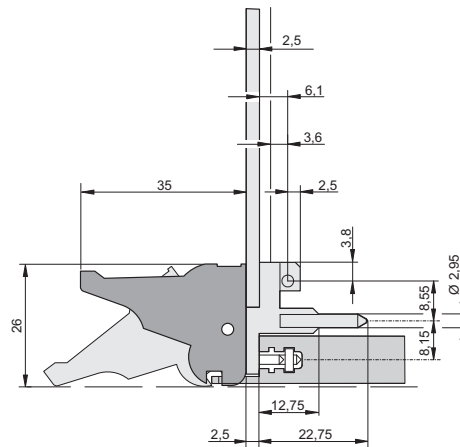
**INSERTER/EXTRACTOR HANDLE, TYPE IEL, 0.1" OFFSET**



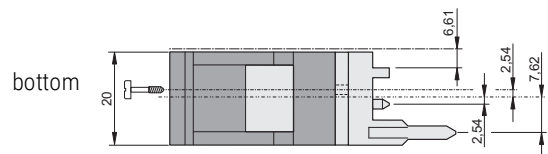
04608071 04608070



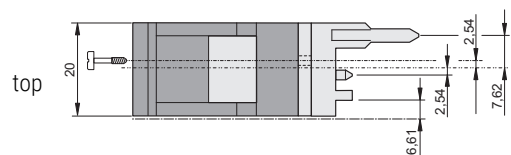
04608051



04603059

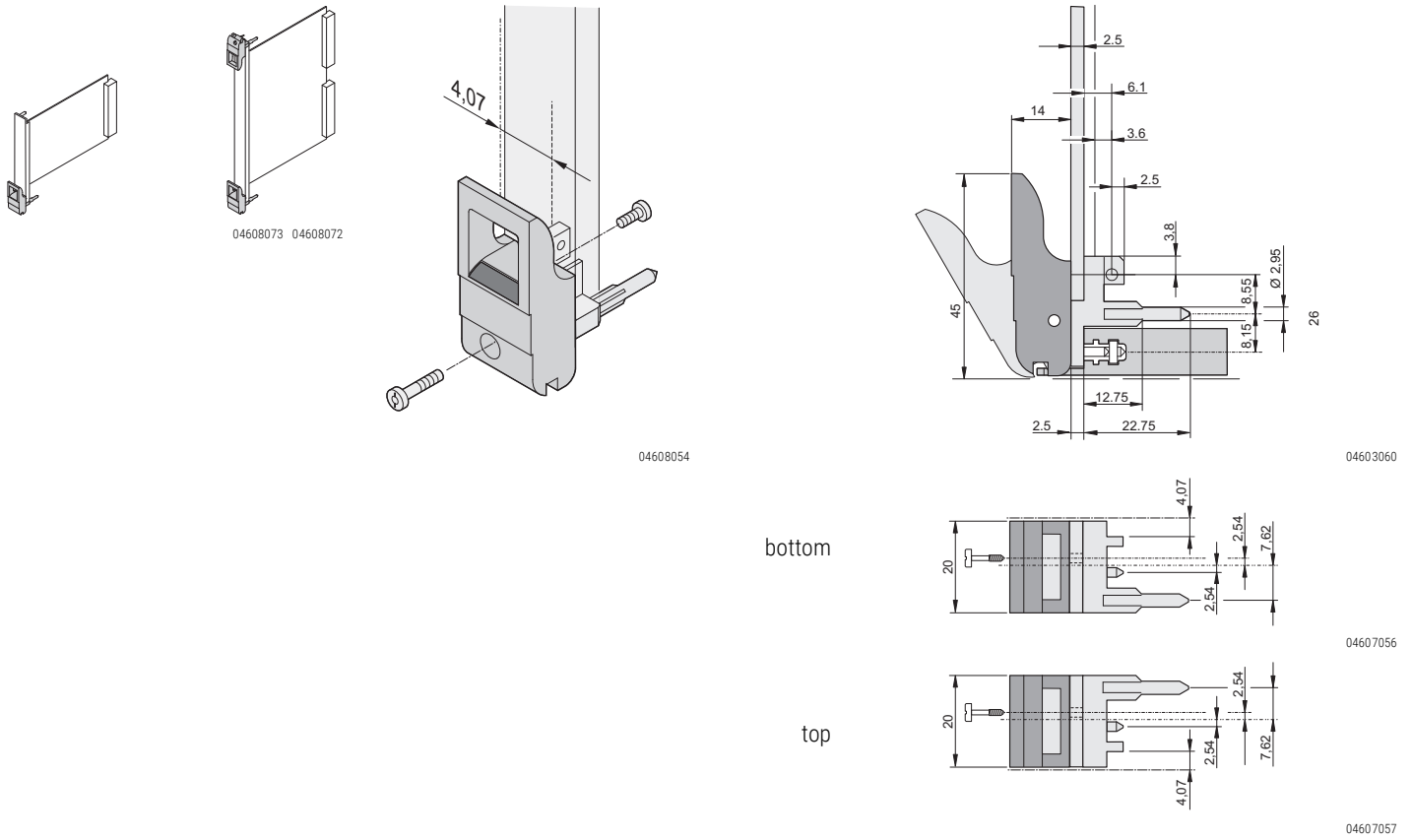
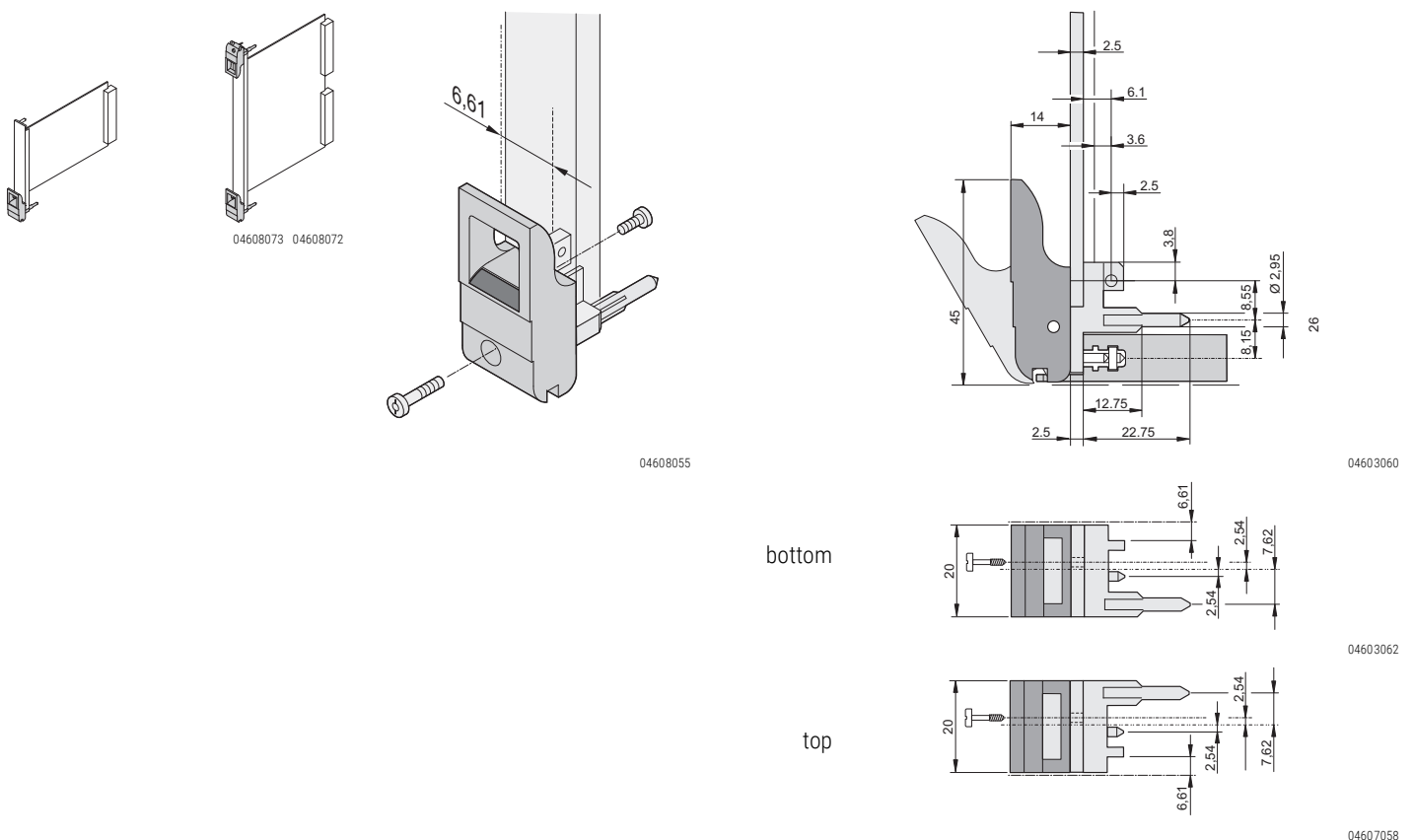


04603061



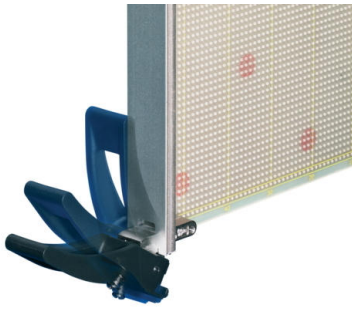
04607055

# Plug-in units – for CompactPCI, VME64x

**DIMENSIONS**
**INSERTER/EXTRACTOR HANDLE, TYPE IET**

**DIMENSIONS**
**INSERTER/EXTRACTOR HANDLE, TYPE IET, 0.1" OFFSET**


# Plug-in units – for CompactPCI, VME64x,

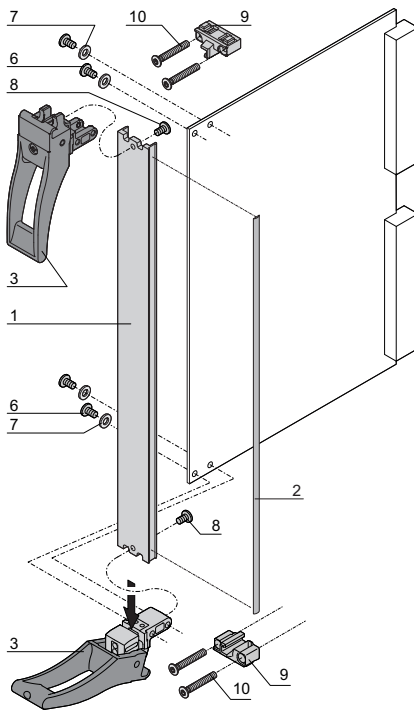
## PLUG-IN UNITS WITH XL INSERTION/EXTRACTOR HANDLE FOR COMPACTPCI, VME64X, VXS AND VPX APPLICATIONS



- Suitable for insertion and extraction forces up to 1500 N (per pair)
- To IEEE 1101.10 and IEC 60297-3-102
- Codable to IEC 60297-3-103/ IEEE 1101.10
- Front panel, shielded (6 U)
- Versions allowing microswitches to be fitted on request
- Online download of 3D CAD data

### DELIVERY INCLUDES (Kit)

Item	Qty		Description
	<8 HP	≥8 HP	
1	1	1	Front panel (U profile), Al, front anodized, rear conductive
2	1	1	EMC sealing (textile), core: foam, sleeve: textile cladding, CuNi coated
3	2	2	Handle with integrated alignment pin for perforated strips and guide rails, lever: plastic, PC, black, RAL 9005 Key: Plastic, PC, light gray, RAL 7035
4	-	2	Sleeve, PA, gray
5	-	2	Pozidrive collar screw, M2.5 × 12.3, St, nickel-plated
6	4	4	Panhead screw with Torx/slot, M2.5 × 6, St, zinc-plated, self-locking
7	4	4	Washer A2.7, DIN 125, St, nickel-plated
8	4	4	Pan head screw with torx M2.5 × 7, St, zinc-plated
9	1	1	XL bearing, zinc diecast, nickel-plated
10	4	4	Countersunk screw with torx M2.5 × 17, St, zinc-plated



< 8 HP

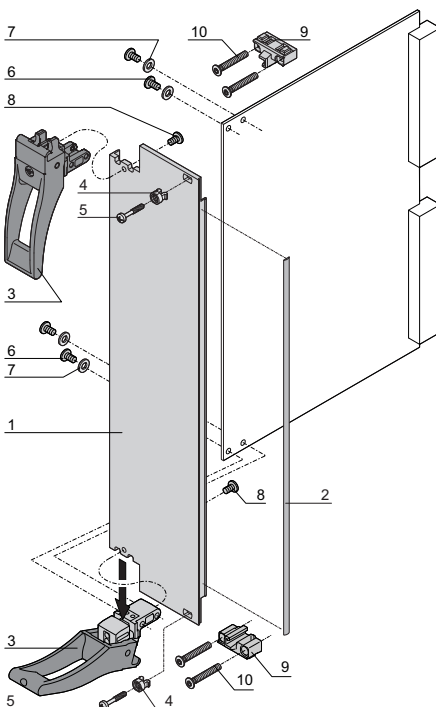
04613055

### ORDER INFORMATION

Width HP	Part no.
<b>6 U Height</b>	
4	<b>20848-769</b>
8	<b>20848-770</b>
12	<b>20848-771</b>

### NOTE

- Can only be used in connection with H-LD or R-LD module rails
- Dimension drawing of front profile, see page 7.32


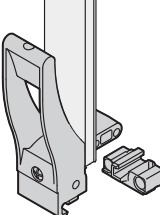
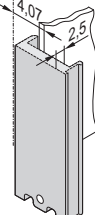
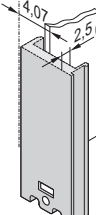
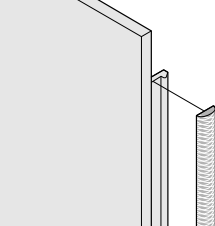
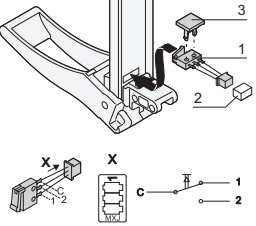


≥8 HP

04613056

# Plug-in units – for CompactPCI, VME64x,

**INDIVIDUAL COMPONENTS**
**INSERTER/EXTRACTOR HANDLE, TYPE XL, FRONT PANELS, MICROSWITCH**

	Inserter/extractor handle, type XL	U front profile, shieldable, for inserter/extractor handle, type XL		EMC gasket (textile)		Microswitch item 1 with cable and plug
		without cut-out for microswitch	with cut-out for microswitch			
 <p>04605008</p>	 <p>04608081</p>	 <p>04608082</p>	 <p>04608083</p>	 <p>BGA45760</p>	 <p>04608084 bga46315</p>	
	kit, incl. die-cast bearing and assembly kit; insertion and extraction force up to 1500 Nm per pair;  handle in PA, fibreglass reinforced, UL 94V 0;  robust board fixing with double bolt fixing, microswitches can be fitted	Al, front anodised, sides and rear conductive, for sleeve and collar screw see page 7.41	Al, front anodised, sides and rear conductive for sleeve and collar screw see page 7.41	always fixed laterally on the front panel, in the groove of the profile, textile gasket, core: foam, sleeve: textile cladding with CuNi coating, UL 94 V-0		Molex connector housing 51021-0300, Molex crimp contact 50058-8000 and fixing clip (item 3), plastic, PC, UL 94 V-0, max. switched current 50 mA, operating range -25 °C to +70 °C, mech. life $\geq 20,000$ switching cycles, electr. life $\geq 20,000$ switching cycles; suitable mating connector (item 2) e.g. Molex 53261-0319, 53048-0310, 53047-0310, 53398-0319, 51047-0300, not included in scope of delivery
Width HP	PU 10 pieces	1 piece (SPQ 5) <sup>1)</sup>	1 piece (SPQ 5) <sup>1)</sup>	PU 10 pieces	PU 100 pieces	PU 10 pieces
	<b>6 U Height</b>					
4		<b>30849-153</b>	30849-154			
8	<b>20817-874</b>	<b>30849-155</b>	30849-156	<b>21101-855</b>	<b>21101-856</b>	<b>20817-877</b>
12		<b>30849-157</b>	30849-158			
Dimensions see page	7.30	7.30	7.30			

1) SPQ (standard pack quantity): Part number includes 1 piece, but delivery is exclusively made in standard pack quantity (SPQ); please order at least the SPQ quantity or a multiple

Part no. includes one packing unit (PU); delivery is exclusively made in PU

**NOTE**

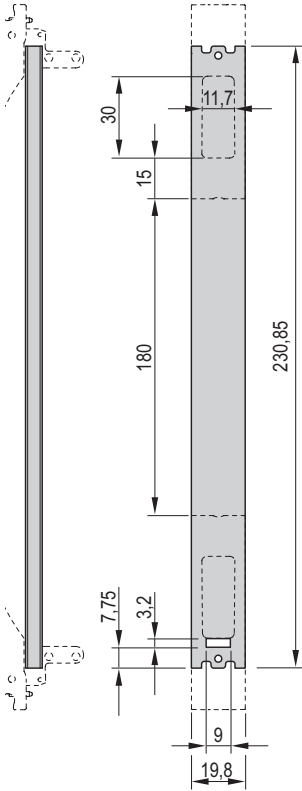
- Please order front panels separately

# Plug-in units – for CompactPCI, VME64x,

## DIMENSIONS

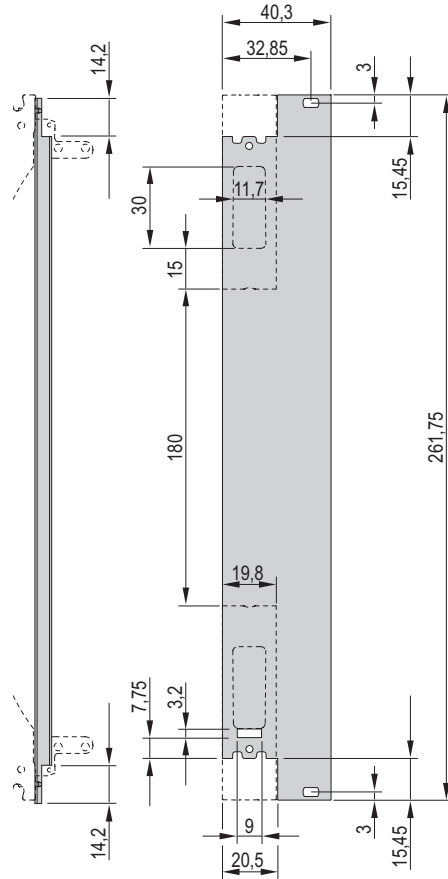
### U FRONT PROFILE FOR EXTRACTOR HANDLE TYPE XL, SHIELDABLE

6 U/4 HP



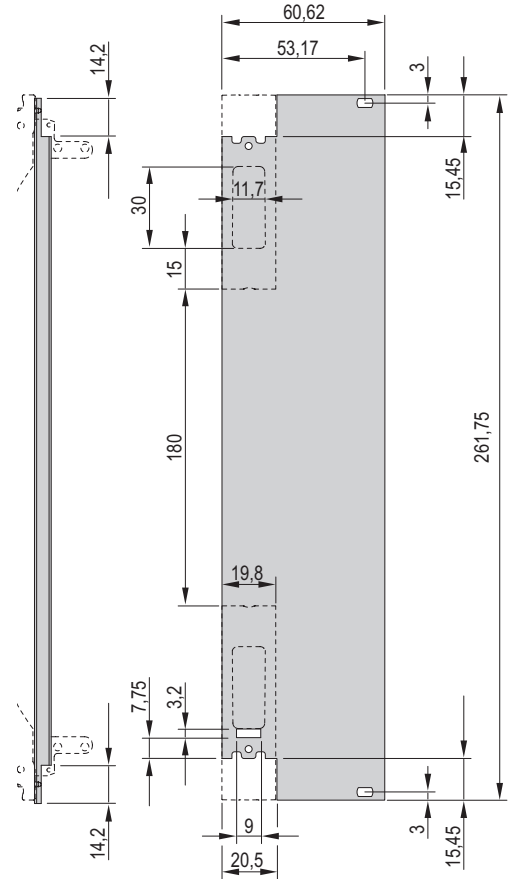
04605053

6 U/8 HP



04605054

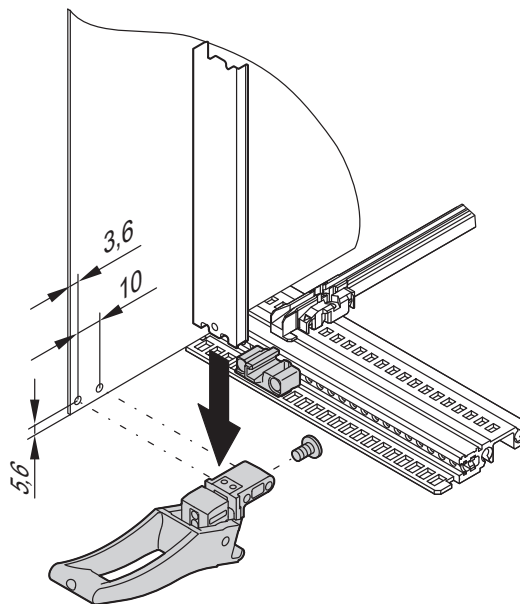
6 U/12 HP



04605055

## DIMENSIONS

### INSERTER/EXTRACTOR HANDLE, TYPE XL



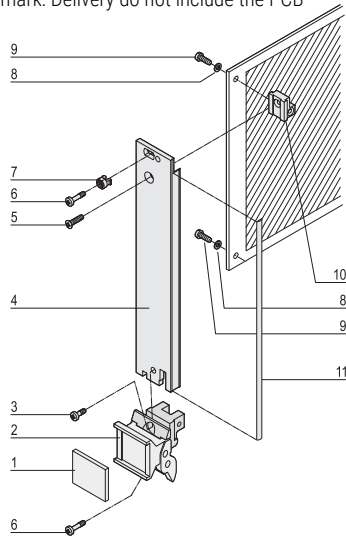
04608113

# Plug-in units – for VME

**KITS**
**PLUG-IN UNITS WITH TRAPEZIFORM EXTRACTOR HANDLE, TYPE 2**

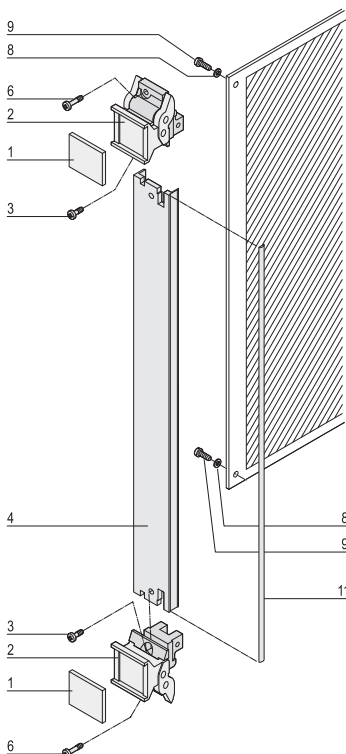

3 U

Remark: Delivery do not include the PCB



04604050

6 U



04604051

- Shielded
- Plastic Material:  
UL 94 V0, EN 45545-2, R22 - R24, HL3

**DELIVERY COMPRISES (kit)**

Item	3 U		6 U		Description
	<8HP	≥8HP	<8HP	≥8HP	
1	1	1	2	2	Identification plate, Al, 1.5 mm, anodised, cut edges untreated
2	1	1	2	2	Extractor handle, trapeziform, type 2, lever: PC, light grey, RAL 7035, block die-cast zinc, nickel-plated, with integrated alignment pin for perforated strip
3	1	1	2	2	Pozidrive flathead screw, St, M2.5 x 6, nickel-plated
4	1	1	1	1	Front panel, U profile, Al, front anodised, rear conductive
5	1	1	-	-	Raised Pozidrive countersunk screw M2.5 x 8, St, nickel-plated
6	2	4	2	4	Pozidrive collar screw, M2.5 x 12.3, St, nickel-plated,
7	1	3	-	2	Sleeve, PA, grey
8	2	2	2	2	Washer A 2.7, DIN 125
9	2	2	2	2	Panhead screw with Torx/slot, M2.5 x 6, St, zinc-plated, self-locking
10	1	1	-	-	Board support, die-cast zinc
11	1	1	1	1	EMC sealing (textile), core: foam, sleeve: textile cladding, Cu-Ni coated

**ORDER INFORMATION**

Height U	Width HP	Part no.
3	4	<b>20848-686</b>
3	6	<b>20848-687</b>
3	8	<b>20848-688</b>
3	10	20848-689
3	12	20848-690
6	4	<b>20848-691</b>
6	6	<b>20848-692</b>
6	8	<b>20848-693</b>
6	10	20848-694
6	12	20848-695

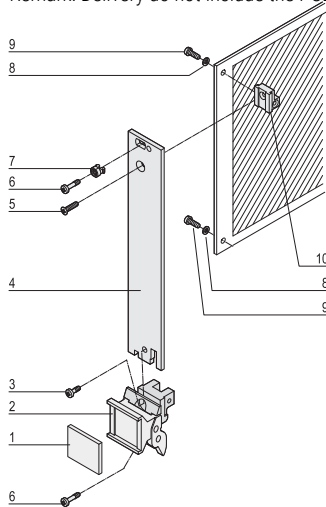
- Dimension drawings of front profile see page 7.42
- Description of microswitch see page 7.35

# Plug-in units – for VME

**KITS**
**PLUG-IN UNITS WITH TRAPEZIFORM EXTRACTOR HANDLE, TYPE 2**

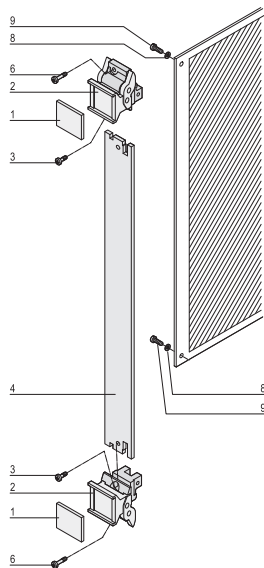

Remark: Delivery do not include the PCB

3 U



0460-4052

6 U



0460-4053

- Unshielded
- Plastic Material:  
UL 94 V0, EN 45545-2, R22 - R24, HL3

**DELIVERY COMPRISES (kit)**

Item	Qty				Description
	3 U		6 U		
	<8HP	≥8HP	<8HP	8 HP	
1	1	1	2	2	Identification plate, Al, 1.5 mm, anodised, cut edges plain
2	1	1	2	2	Extractor handle, trapeziform, type 2, lever: PC, light grey, RAL 7035, block: die-cast zinc, nickel-plated, without alignment PIN
3	1	1	2	2	Flathead screw M2.5 x 6, nickel-plated
4	1	1	1	1	Front panel, Al, 2.5 mm, front: anodised, rear: iridescent green chromated
5	1	1	-	-	Raised Pozidrive countersunk screw, M2.5 x 8, St, nickel-plated
6	2	4	2	4	Slotted Pozidrive collar screw, M2.5 x 12.3, St, nickel-plated,
7	1	3	-	2	Sleeve, PA, grey
8	2	2	2	2	Washer A 2.7, DIN 125
9	2	2	2	2	Slotted Torx panhead screw, M2.5 x 6, St, zinc-plated, self-locking
10	1	1	-	-	Board support, die-cast zinc

**ORDER INFORMATION**

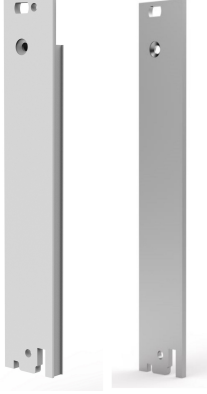
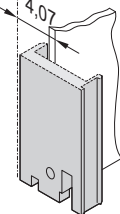
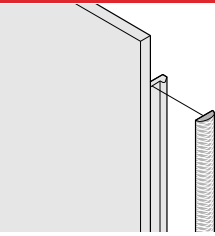
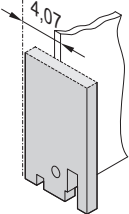
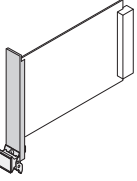
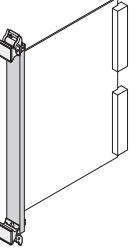
Height	Width	Part no.
U	HP	
3	4	<b>20817-860</b>
3	5	<b>20817-861</b>
3	6	<b>20817-862</b>
3	7	<b>20817-863</b>
3	8	<b>20817-864</b>
3	10	<b>20817-865</b>
3	12	<b>20817-866</b>
6	4	<b>20817-867</b>
6	5	<b>20817-868</b>
6	6	<b>20817-869</b>
6	7	<b>20817-870</b>
6	8	<b>20817-871</b>
6	10	20817-872
6	12	20817-873

- Dimension drawing of front profile see page 7.42
- Description of microswitch see page 7.35



# Plug-in units – for VME

**INDIVIDUAL COMPONENTS**
**U FRONT PROFILES/FRONT PANELS FOR TRAPEZIFORM EXTRACTOR HANDLE, TYPE 2**
**ORDER INFORMATION**

		Front panel, U profile, shieldable	Textile EMC gasket		Front panel, flat, unshielded																						
 <p>U-Profile Front panel   Flat Front panel</p>		 <p>04608060</p> <p>Al extrusion, 2.5 mm, front anodised, rear conductive; alignment pin pressed-in (3 U only), stainless steel; manufacturing process causes various surface structures to appear between 4 to 12 HP and 14 to 16 HP</p>	 <p>BGA45760</p> <p>always fixed laterally on the front panel, in the groove of the profile, textile gasket, core: foam, sleeve: textile cladding with CuNi coating, UL 94 V-0, temperature range -40 ... 70 °C</p>		 <p>04608063</p> <p>Front panel, Al, 2.5 mm, front anodised, rear iridescent green chromated</p>																						
Width HP		1 piece (SPQ 5) <sup>1)</sup>	PU 10 pieces	PU 100 pieces	1 piece (SPQ 5) <sup>1)</sup>																						
<b>3 U Height</b>																											
 <p>04608109</p>		<table border="1"> <tr><td>4</td><td><b>30848-312</b></td><td rowspan="7" style="text-align: center;"><b>21101-853</b></td><td rowspan="7" style="text-align: center;"><b>21101-854</b></td><td><b>30848-327</b></td></tr> <tr><td>5</td><td><b>30848-300</b></td><td><b>30848-328</b></td></tr> <tr><td>6</td><td><b>30848-313</b></td><td><b>30848-329</b></td></tr> <tr><td>7</td><td><b>30848-301</b></td><td><b>30848-330</b></td></tr> <tr><td>8</td><td><b>30848-314</b></td><td><b>30848-331</b></td></tr> <tr><td>10</td><td><b>30848-315</b></td><td><b>30848-333</b></td></tr> <tr><td>12</td><td><b>30848-316</b></td><td><b>30848-335</b></td></tr> </table>	4	<b>30848-312</b>	<b>21101-853</b>	<b>21101-854</b>	<b>30848-327</b>	5	<b>30848-300</b>	<b>30848-328</b>	6	<b>30848-313</b>	<b>30848-329</b>	7	<b>30848-301</b>	<b>30848-330</b>	8	<b>30848-314</b>	<b>30848-331</b>	10	<b>30848-315</b>	<b>30848-333</b>	12	<b>30848-316</b>	<b>30848-335</b>		
4	<b>30848-312</b>	<b>21101-853</b>	<b>21101-854</b>	<b>30848-327</b>																							
5	<b>30848-300</b>			<b>30848-328</b>																							
6	<b>30848-313</b>			<b>30848-329</b>																							
7	<b>30848-301</b>			<b>30848-330</b>																							
8	<b>30848-314</b>			<b>30848-331</b>																							
10	<b>30848-315</b>			<b>30848-333</b>																							
12	<b>30848-316</b>			<b>30848-335</b>																							
<b>6 U Height</b>																											
 <p>04608107</p>		<table border="1"> <tr><td>4</td><td><b>30848-317</b></td><td rowspan="7" style="text-align: center;"><b>21101-855</b></td><td rowspan="7" style="text-align: center;"><b>21101-856</b></td><td><b>30848-336</b></td></tr> <tr><td>5</td><td><b>30848-304</b></td><td><b>30848-337</b></td></tr> <tr><td>6</td><td><b>30848-318</b></td><td><b>30848-338</b></td></tr> <tr><td>7</td><td><b>30848-305</b></td><td><b>30848-339</b></td></tr> <tr><td>8</td><td><b>30848-319</b></td><td><b>30848-340</b></td></tr> <tr><td>10</td><td><b>30848-320</b></td><td><b>30848-342</b></td></tr> <tr><td>12</td><td><b>30848-321</b></td><td><b>30848-344</b></td></tr> </table>	4	<b>30848-317</b>	<b>21101-855</b>	<b>21101-856</b>	<b>30848-336</b>	5	<b>30848-304</b>	<b>30848-337</b>	6	<b>30848-318</b>	<b>30848-338</b>	7	<b>30848-305</b>	<b>30848-339</b>	8	<b>30848-319</b>	<b>30848-340</b>	10	<b>30848-320</b>	<b>30848-342</b>	12	<b>30848-321</b>	<b>30848-344</b>		
4	<b>30848-317</b>	<b>21101-855</b>	<b>21101-856</b>	<b>30848-336</b>																							
5	<b>30848-304</b>			<b>30848-337</b>																							
6	<b>30848-318</b>			<b>30848-338</b>																							
7	<b>30848-305</b>			<b>30848-339</b>																							
8	<b>30848-319</b>			<b>30848-340</b>																							
10	<b>30848-320</b>			<b>30848-342</b>																							
12	<b>30848-321</b>			<b>30848-344</b>																							
Dimensions see page		7.42			7.36																						

1) SPQ (standard pack quantity): Part number includes 1 piece, but delivery is exclusively made in standard pack quantity (SPQ); please order at least the SPQ quantity or a multiple

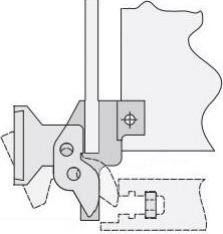


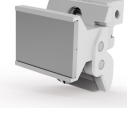

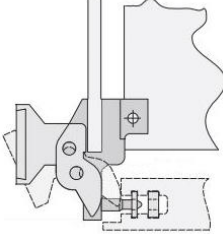
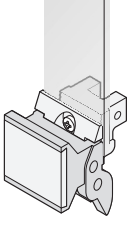
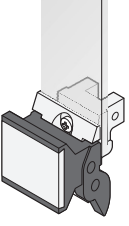
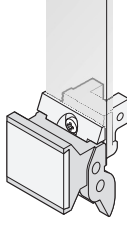
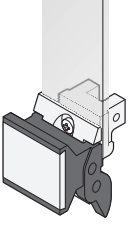
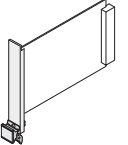
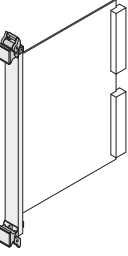
Part no. includes one packing unit (PU); delivery is exclusively made in PU

# Plug-in units – for VME

**INDIVIDUAL COMPONENTS**

## EXTRACTOR HANDLE, TRAPEZIFORM, TYPE 2

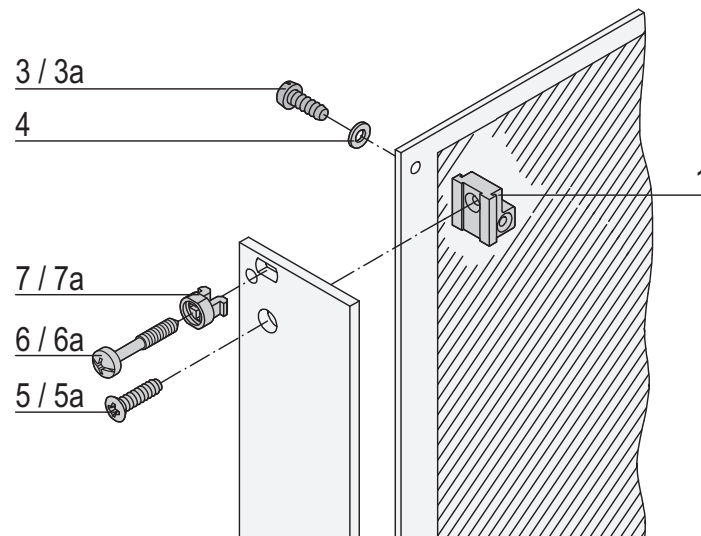
### ORDER INFORMATION

	Trapeziform extractor handle, type 2 without alignment pin		Trapeziform extractor handle, type 2 with alignment pin	
	lever, light grey, RAL7035	lever, black, RAL 9005	lever, light grey, RAL 7035	lever, black, RAL 9005
<p>without alignment pin</p> 				
<p>with alignment pin</p> 				
	<p>Extractor handle, PC; UL 94 V0, EN 45545-2, R22 - R24; HL 3 Block, die-cast zinc, zinc-plated; identification plate, Al, 1.5 mm, anodised, cut edges plain; Pozidrive flat-head screw, M2.5 x 6, nickel-plated; slotted Pozidrive collar screw, M2.5 x 12.3, St, nickel-plated</p>		<p>Extractor handle, PC; UL 94 V0, EN 45545-2, R22 - R24; HL 3 Block, die-cast zinc, zinc-plated; identification plate, Al, 1.5 mm, anodised, cut edges plain; Pozidrive flat-head screw, M2.5 x 6, nickel-plated; slotted Pozidrive collar screw, M2.5 x 12.3, St, nickel-plated</p>	
Width HP	1 piece (SPQ 10) <sup>1)</sup>	1 piece (SPQ 10) <sup>1)</sup>	1 piece (SPQ 10) <sup>1)</sup>	1 piece (SPQ 10) <sup>1)</sup>
 <p>04608114</p>	<b>3 U Height bottom</b>			
	<b>20817-858</b>	<b>20817-856</b>	<b>20817-833</b>	<b>20817-831</b>
 <p>04608115</p>	<b>6 U Height top</b>			
	<b>20817-858</b>	<b>20817-856</b>	<b>20817-833</b>	<b>20817-831</b>
	<b>bottom</b>			
	<b>20817-858</b>	<b>20817-856</b>	<b>20817-833</b>	<b>20817-831</b>
Dimensions see page	7.43		7.43	

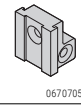
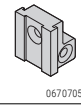

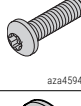

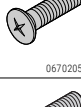
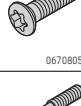
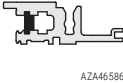
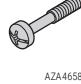
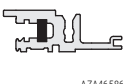
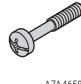
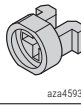
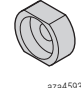
1) SPQ (standard pack quantity): Part number includes 1 piece, but delivery is exclusively made in standard pack quantity (SPQ); please order at least the SPQ quantity or a multiple

Part no. includes one packing unit (PU); delivery is exclusively made in PU

# Plug-in units – for VME

**INDIVIDUAL COMPONENTS**
**FIXING MATERIAL FOR TRAPEZIFORM EXTRACTOR HANDLE, TYPE 2**


bga46045

Fixing material	Item		Required quantity				Qty/PU	Part no.	
			3 U		6 U				
			< 8 HP	≥ 8 HP	< 8 HP	≥ 8 HP			
Printed board bracket Zn die-cast, with M2.5 thread	1	 06707050	1	1	–	–	1 Stück (LLG 10) <sup>1)</sup>	<b>60807-181</b>	
Pozidrive panhead screw M2.5 × 6, St, nickel-plated	3	 AZA45177	2	2	2	2	100	<b>21101-219</b>	
Slotted panhead screw with Torx 8 M2.5 × 6, St, zinc-plated Self-securing thread	3a	 aza45940	2	2	2	2	100	<b>24560-159</b>	
Washer 2.7, St, nickel-plated	4	 AZA46586	2	2	2	2	100	<b>21100-721</b>	
Raised Pozidrive countersunk panhead screw M2.5 × 8, St, nickel-plated	5	 06702056	1	1	–	–	100	<b>21100-429</b>	
Raised countersunk panhead screw with Torx 8 M2.5 × 8, St, nickel-plated	5a	 06708050	1	1	–	–	100	<b>24560-164</b>	
Collar screws pozidrive/slot (Philips) M2.5 × 12.3, St, nickel-plated	6	 AZA46586	 AZA46586	1	3	–	2	100	<b>21102-026</b>
Slotted Pozidrive collar screw M2.5 × 12.3, St, nickel-plated	6a	 AZA46586	 AZA46586	1	3	–	2	100	<b>21101-101</b>
Plastic sleeve, for form hole 5.9 x 3.3 PA, UL 90 V-2, grey	7	 aza45933	1	3	–	2	100	<b>21100-464</b>	
Metal sleeve, for form hole 5.9 x 3.3, press-in Stainless steel	7a	 aza45934	1	3	–	2	100	<b>21100-662</b>	

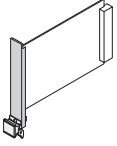
1) SPQ (standard pack quantity): Part number includes 1 piece, but delivery is exclusively made in standard pack quantity (SPQ); please order at least the SPQ quantity or a multiple

# Plug-in units – for VME

## DIMENSIONS

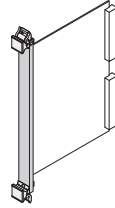
## FRONT PANELS, U PROFILES, FOR TRAPEZIFORM EXTRACTOR HANDLES, TYPE 2

3 U

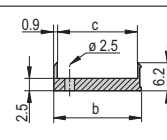
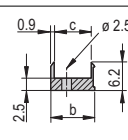
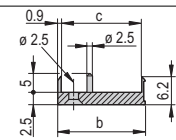
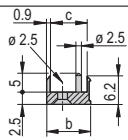
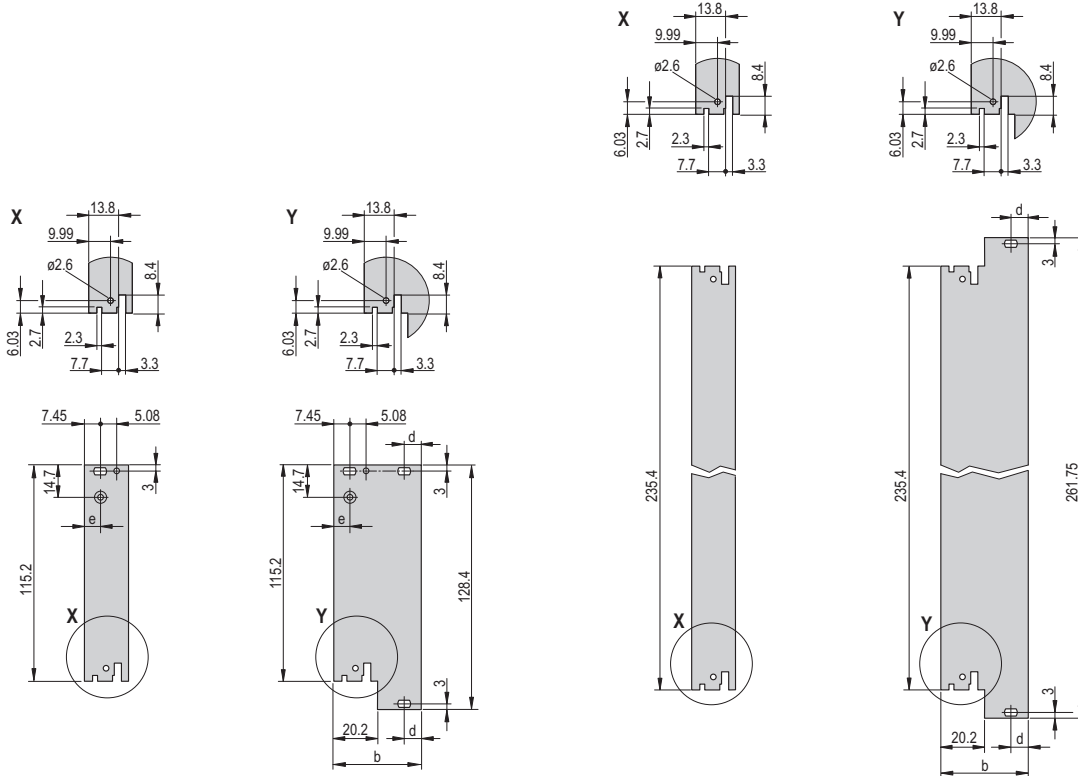


04608109

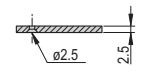
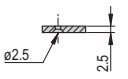
6 U



04608107



shieldable



unshielded

4 HP

≥5 HP

04608064 04608077

4 HP

≥5 HP

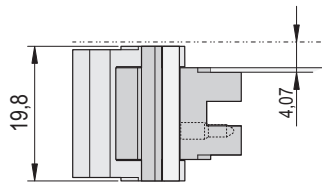
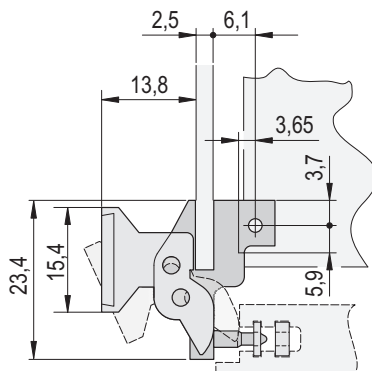
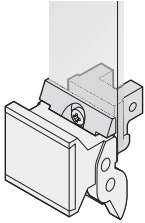
04608065 04608078

Dimensions table			
Width HP	b mm	c mm	d mm
4	19.98	17.45	–
5	25.06	22.53	–
6	30.14	27.61	–
7	35.22	32.69	–
8	40.30	37.77	7.45
9	45.38	42.85	7.45
10	50.46	47.93	7.45
11	55.54	53.01	7.45
12	60.62	58.09	7.45
14	70.78	68.25	7.45
16	80.94	78.41	7.45

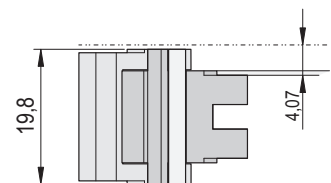
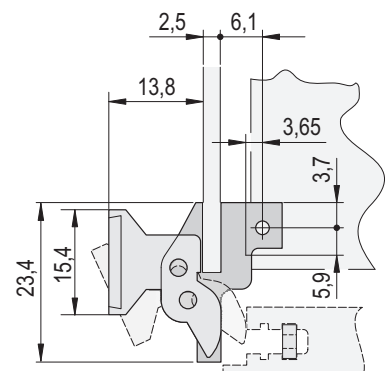
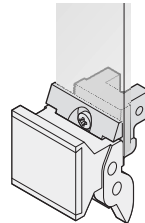
# Plug-in units – for VME

## DIMENSION DRAWINGS EXTRACTOR HANDLE, TRAPEZIFORM, TYPE 2

with alignment pin



without alignment pin

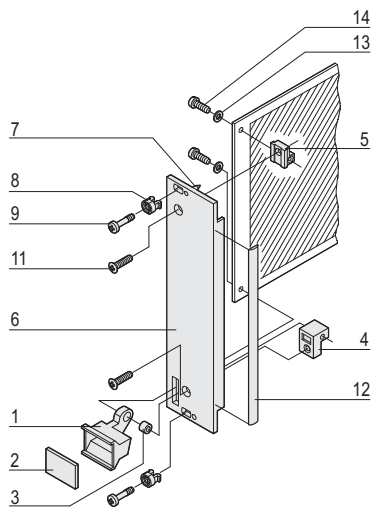


# Plug-in units – for VME

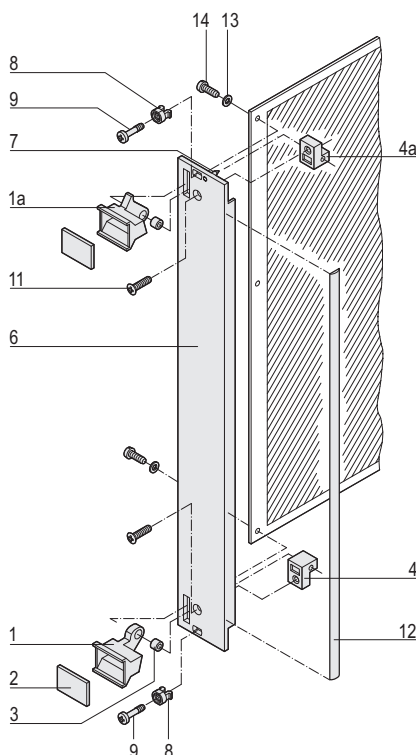
**KITS**
**PLUG-IN UNITS WITH TRAPEZIFORM EXTRACTOR HANDLE, TYPE 1 – FRONT PANEL, U-PROFILE, SHIELDED**


Remark: Delivery do not include the PCB

3 U



6 U



- At 6 U the board position can be offset by 1 HP to the right by swapping the top and bottom board supports; thus space is created for SMD components on the left (solder) side; for board thickness 1.6 mm only

- Plastic Material:  
UL 94 V0, EN 45545-2, R22 - R24, HL3

**DELIVERY COMPRISES (kit)**

Item	Qty		Description
	3 U	6 U	
1	1	1	Extractor handle, trapeziform type, PC, grey (RAL 7035), bottom
1a	-	1	Extractor handle, trapeziform type, PC, grey (RAL7035), top
2	1	2	Identification plate, Al, 1.5 mm, anodised, cut edges plain
3	1	2	Pivot bush, Ms
4	1	1	Board support, die-cast zinc, bottom
4a	-	1	Board support, die-cast zinc, top
5	1	-	Board support, die-cast zinc
6	1	1	Front panel, U profile, for trapeziform extractor handle, front anodised, rear conductive
7	2	2	Alignment pin, pressed-in, stainless steel
8	2	2	Sleeve, PA, grey, up to 7 HP front panel width
8	4	4	Sleeve, PA, grey, from 8 HP front panel width
9	2	2	Collar screw, Pozidrive/slot, St, nickel-plated, M2.5 × 12.3, front panel width up to 7 HP
9	4	4	Collar screw, Pozidrive/slot, St, nickel-plated, M2.5 × 12.3, front panel width from 8 HP
11	1	2	Raised countersunk panhead screw, M2.5 × 8
12	1	1	EMC gasket (textile)
13	2	2	Washer, A2.7, DIN 125
14	2	2	Pozidrive flathead screw, St, nickel-plated, M2.5 × 10

**ORDER INFORMATION**

Width HP	3 U	6 U
	Part no.	Part no.
4	<b>20848-485</b>	<b>20848-492</b>
6	<b>20848-487</b>	<b>20848-494</b>
8	<b>20848-489</b>	<b>20848-496</b>
10	<b>20848-490</b>	20848-497
12	<b>20848-491</b>	<b>20848-498</b>

**NOTE**

- Dimension of the front panels see page 7.49

04602058

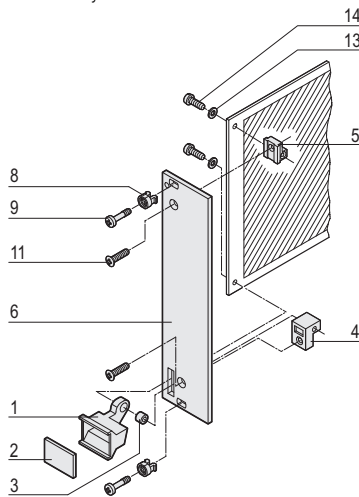
04602059

# Plug-in units – for VME

**KITS**
**PLUG-IN UNITS WITH TRAPEZIFORM EXTRACTOR HANDLE, TYPE 1 – FRONT PANEL UNSHIELDED**

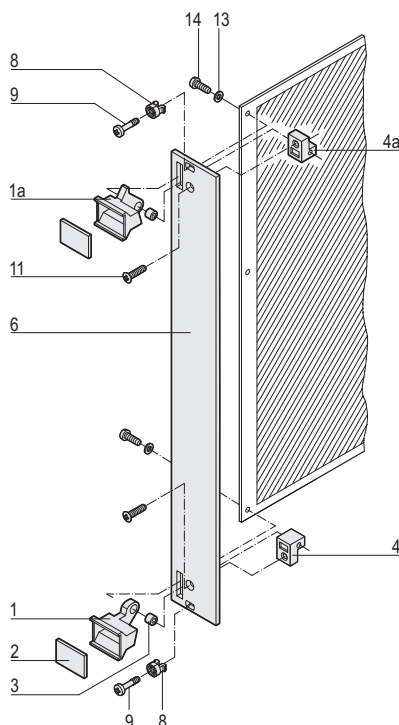

Remark: Delivery do not include the PCB

3 U



04602060

6 U



04602061

- At 6 U the board position can be offset by 1 HP to the right by swapping the top and bottom board supports; thus space is created for SMD components on the left (solder) side; for board thickness 1.6 mm only

**Plastic Material:**

UL 94 V0, EN 45545-2, R22 - R24, HL3

**DELIVERY COMPRISES (kit)**

Item	Qty		Description
	3 U	6 U	
1	1	1	Extractor handle, trapezium shape, PC, grey (RAL7035), bottom
1a	-	1	Extractor handle, trapezium shape, PC, grey (RAL7035), top
2	1	2	Identification plate, Al, 1.5 mm, anodised, cut edges plain
3	1	2	Pivot bush, Ms
4	1	1	Board support, die-cast zinc, bottom
4a	-	1	Board support, die-cast zinc, top
5	1	-	Board support, die-cast zinc
6	1	1	Front panel for trapeziform extractor handle, front anodised, rear iridescent green chromated
8	2	2	Sleeve, PA, grey, up to 7 HP front panel width
8	4	4	Sleeve, PA, grey, from 8 HP front panel width
9	2	2	Collar screw, Pozidrive/slot, St, nickel-plated, M2.5 x 12.3, front panel width up to 7 HP
9	4	4	Collar screw, Pozidrive/slot, St, nickel-plated, M2.5 x 12.3, front panel width from 8 HP
11	1	2	Raised countersunk panhead screw, M2.5 x 8
13	2	2	Washer, A2.7, DIN 125
14	2	2	Pozidrive flathead screw, St, nickel-plated, M2.5 x 10

**ORDER INFORMATION**

Width HP	3 U	6 U
	Part no.	Part no.
4	<b>20817-443</b>	<b>20817-448</b>
5	<b>20817-444</b>	<b>20817-449</b>
6	<b>20817-445</b>	<b>20817-450</b>
7	<b>20817-446</b>	<b>20817-451</b>
8	<b>20817-447</b>	<b>20817-452</b>
10	<b>20817-456</b>	<b>20817-458</b>
12	<b>20817-457</b>	<b>20817-459</b>

**NOTE**

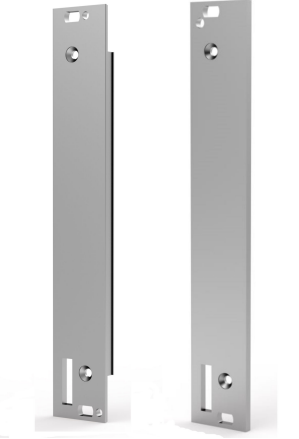
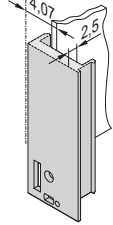
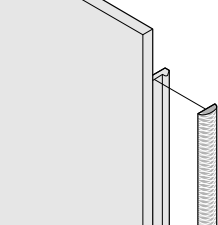
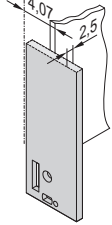
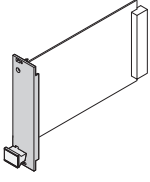
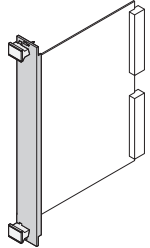
- Dimension front panel see page 7.49

# Plug-in units – for VME

## INDIVIDUAL COMPONENTS

## FRONT PANELS AND EMC GASKETS, FOR TRAPEZOIDAL EXTRACTOR HANDLE, TYPE 1

### ORDER INFORMATION

	Front panel, U profile, shieldable	Textile EMC gasket		Front panel, unshielded	
 <p>U-Profile Front panel   Flat Front panel</p>	 <p>04608091</p> <p>Al profile, front anodised, rear conductive, alignment pin pressed-in, stainless steel</p>	 <p>BGA45760</p> <p>always fixed laterally on the front panel, in the groove of the profile, textile gasket, core: foam, sleeve: textile cladding with CuNi coating, UL 94 V-0, temperature range -40 ... 70 °C</p>		 <p>04608092</p> <p>front panel, Al, 2.5 mm, front anodised, rear iridescent green chromated</p>	
Width HP	1 piece (SPQ 5) <sup>1)</sup>	PU 10 pieces	PU 100 pieces	1 piece (SPQ 5) <sup>1)</sup>	
<b>3 U Height</b>					
 <p>04608117</p>	4	<b>30848-461</b>		<b>30847-659</b>	
	5	-		<b>30847-660</b>	
	6	<b>30848-463</b>		<b>30847-661</b>	
	7	-	<b>21101-853</b>	<b>21101-854</b>	<b>30847-662</b>
	8	<b>30848-465</b>			<b>30847-663</b>
	10	<b>30848-466</b>			<b>30847-664</b>
	12	<b>30848-467</b>			<b>30847-665</b>
<b>6 U Height</b>					
 <p>04608116</p>	4	<b>30848-468</b>		<b>30847-666</b>	
	5	-		<b>30847-667</b>	
	6	<b>30848-470</b>		<b>30847-668</b>	
	7	-	<b>21101-855</b>	<b>21101-856</b>	<b>30847-669</b>
	8	<b>30848-472</b>			<b>30847-670</b>
	10	<b>30848-473</b>			<b>30847-671</b>
	12	<b>30848-474</b>			<b>30847-672</b>
Dimensions see page	7.49			7.49	

1) SPQ (standard pack quantity): Part number includes 1 piece, but delivery is exclusively made in standard pack quantity (SPQ); please order at least the SPQ quantity or a multiple

Part no. includes one packing unit (PU); delivery is exclusively made in PU




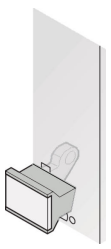
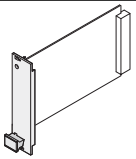
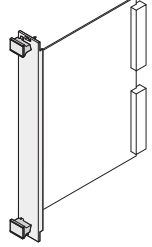


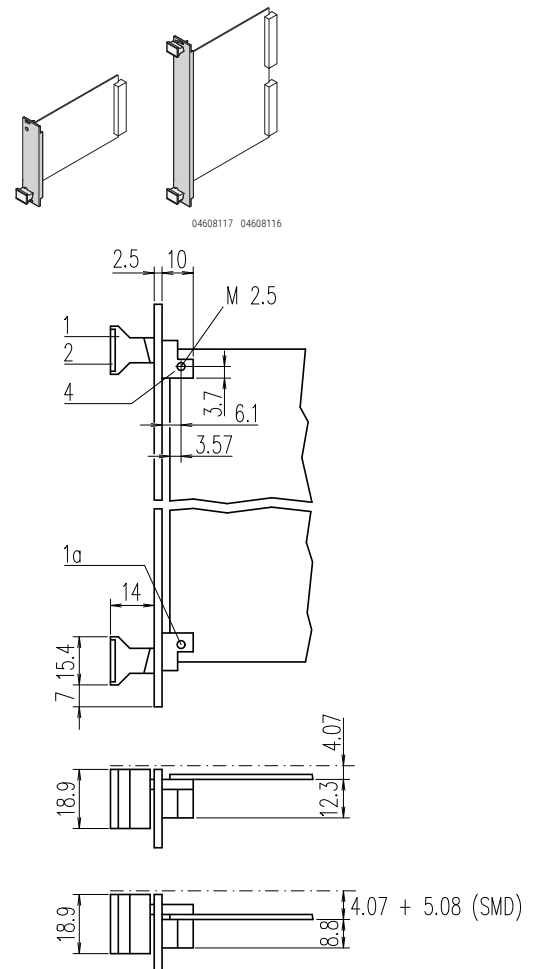
# Plug-in units – for VME

**INDIVIDUAL COMPONENTS**

**TRAPEZIFORM EXTRACTOR HANDLES, TYPE 1**

## ORDER INFORMATION

	Trapeziform extractor handle	
	black (RAL 9005)	grey (RAL 7035)
    <p>pivot bush; identification plate,</p>	<p>Handle closed laterally, PC, UL 94 V0, EN 45545-2, R22 -R24, HL3</p> <p>Identification plate, Al, 1.5 mm, anodised, cut edges plain; pivot bush, board support die-cast zinc;</p> <p>in the 6 U version, space can be created for SMD components on the left side by swapping the top and bottom handles and thus moving the PCB position 1 HP to the right</p>	
	<p>Width HP</p> <p>1 piece (SPQ 10)<sup>1)</sup>      1 piece (SPQ 10)<sup>1)</sup></p>	
 <p>04608119</p>	<p><b>3 U Height</b> top</p> <p><b>20817-329</b>      <b>20817-327</b></p>	
	<p><b>6 U Height</b> top</p> <p><b>20817-330</b>      <b>20817-328</b></p>	
 <p>04608116</p>	<p>bottom</p> <p><b>20817-329</b>      <b>20817-327</b></p>	



hga42556

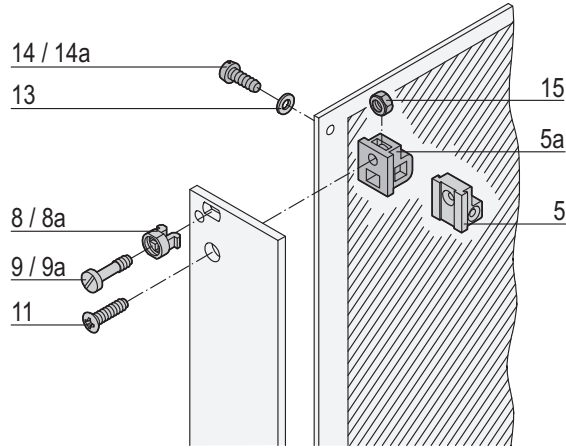
1) SPQ (standard pack quantity): Part number includes 1 piece, but delivery is exclusively made in standard pack quantity (SPQ); please order at least the SPQ quantity or a multiple

# Plug-in units – for VME


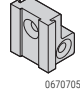
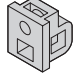
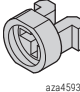
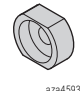

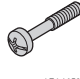
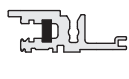
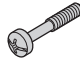










## INDIVIDUAL COMPONENTS

## FIXING MATERIAL FOR TRAPEZIFORM EXTRACTOR HANDLE, TYPE 1

### ORDER INFORMATION



bga42545

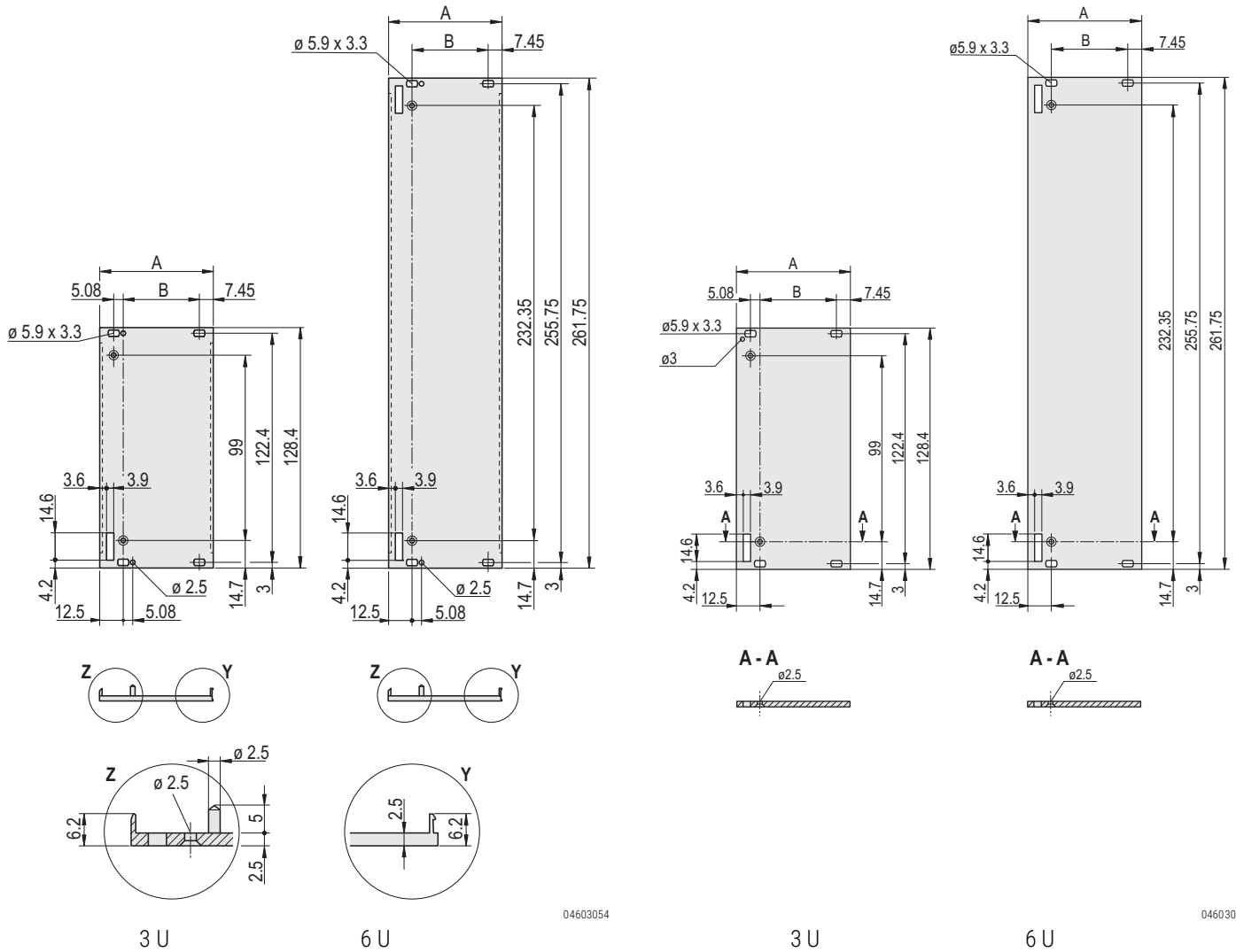
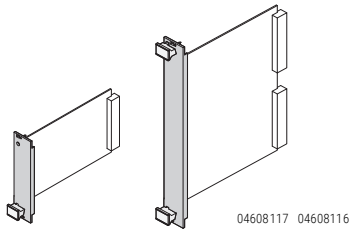
Fixing material	Item		Required Qty				Qty/PU	Part no.	
			3 U		6 U				
			< 8 HP	≥ 8 HP	< 8 HP	≥ 8 HP			
Board support, die-cast zinc, with thread M2.5, for front panel and PCB fixing	5	 06707050	1	2	2	4	1 piece (SPQ 10) <sup>1)</sup>	<b>60807-181</b>	
Board support, plastic, PBT, UL 94 V-0, grey, with recess for hexagon nut M2.5, for fixing front panel	5a	 AZA45177	1	2	2	4	1 piece (SPQ 10) <sup>1)</sup>	<b>60807-183</b>	
Plastic sleeve, for form hole 5.9 x 3.3 PA, UL 90 V-2, grey	8	 aza45933	2	4	2	4	100	<b>21100-464</b>	
Metal sleeve, for form hole 5.9 x 3.3, press-in Stainless steel	8a	 aza45934	2	4	-	-	100	<b>21100-662</b>	
Collar screws pozidrive/slot (Philips) M2.5 x 12.3, St, nickel-plated	9	 AZA46586	 AZA46586	2	4	2	4	100	<b>21102-026</b>
Pozidrive/slot collar screw M2.5 x 12.3, St, nickel-plated	9a	 AZA46586	 AZA46586	2	4	2	4	100	<b>21101-101</b>
Raised Pozidrive countersunk screw M2.5 x 8, St, nickel-plated	11	 06702056	 06702056	2	2	2	2	100	<b>21100-429</b>
Washer 2.7 DIN 125, St, nickel-plated, 100 pieces	13	 AZA46586	 AZA46586	2	2	2	2	100	<b>21100-721</b>
Pozidrive panhead screw M2.5 x 10, St, nickel-plated for item 5	14	 AZA45177	 AZA45177	2	2	2	2	100	<b>21101-220</b>
Panhead screw, self-tapping 2.5 x 8, St, zinc-plated for item 5b	14a	 06702057	 06702057	1	1	-	-	100	<b>21100-710</b>
Hexagon nut M2.5, nickel-plated steel for item 5b	15	 aza43239	 aza43239	1	1	-	-	100	<b>21100-144</b>

<sup>1)</sup> SPQ (standard pack quantity): Part number includes 1 piece, but delivery is exclusively made in standard pack quantity (SPQ); please order at least the SPQ quantity or a multiple

# Plug-in units – for VME

## DIMENSIONS

## FRONT PANELS FOR TRAPEZOIDAL EXTRACTOR HANDLES, TYPE 1, SHIELDED/UNSHIELDED



Dimensions table




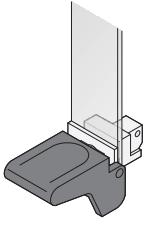
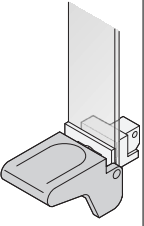
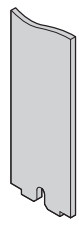
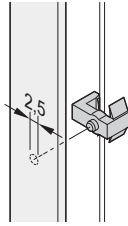
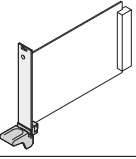
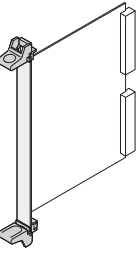
Width HP	A mm	B mm
4	19.98	-
5	25.06	-
6	30.14	-
7	35.22	-
8	40.30	20.32
10	50.46	30.48
12	60.62	40.64

# Plug-in units – for IEC 60297, key form 1

**INDIVIDUAL COMPONENTS**

## EXTRACTOR HANDLES IN KEY FORM 1

### ORDER INFORMATION

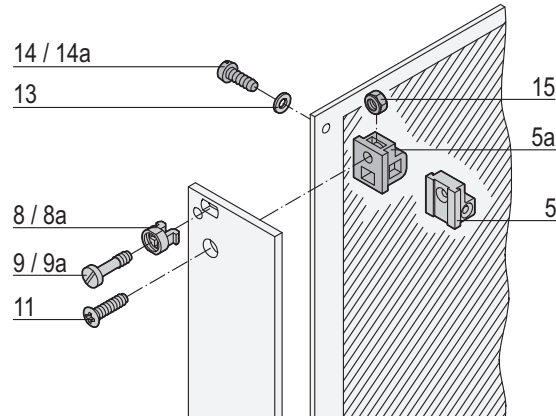
	Extractor handle		Front panel	Fixing clip
	black	grey		
				
				
	<p>extractor handle in key form 1, PC, UL 94 V-0; bearing Zn die-cast, nickel-plated; slotted cheesehead screw, M2.5 x 6 (fitted); in the 6 U version, space can be created for SMD components on the left side by swapping the top and bottom handles and thus moving the PCB position 1 HP to the right</p>		<p>Al, 2.5 mm; available on request</p>	<p>for fixing PCB to the front panel (blind hole X2.6, depth 1.3 mm); also for SMD applications; clip, PPE, UL 94 V-0, red</p>
Width HP	1 piece (SPQ 10) <sup>1)</sup>	1 piece (SPQ 10) <sup>1)</sup>		PU 100 pieces
 04608123	<b>3 U Height bottom</b>			
	<b>20817-345</b>	<b>20817-325</b>	–	–
 04608122	<b>6 U Height top</b>			
	<b>20817-346</b>	<b>20817-326</b>	–	<b>21100-719</b>
	bottom			
	<b>20817-345</b>	<b>20817-325</b>	–	
Dimensions see page	7.52	7.52	7.52	

<sup>1)</sup> SPQ (standard pack quantity): Part number includes 1 piece, but delivery is exclusively made in standard pack quantity (SPQ); please order at least the SPQ quantity or a multiple

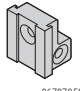
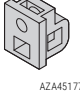
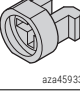

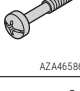


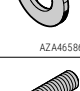
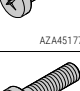

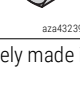
Part no. includes one packing unit (PU); delivery is exclusively made in PU

- Please order colar screw separately 7.52

# Plug-in units – for IEC 60297, key form 1

**INDIVIDUAL COMPONENTS**
**FIXING MATERIAL FOR EXTRACTOR HANDLE IN KEY FORM 1**
**ORDER INFORMATION**


bga42545

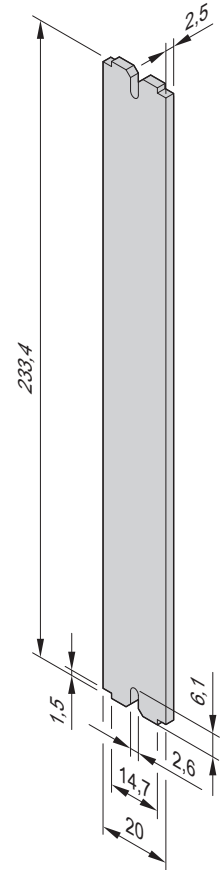
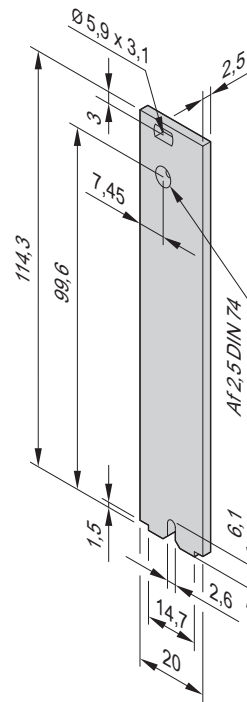
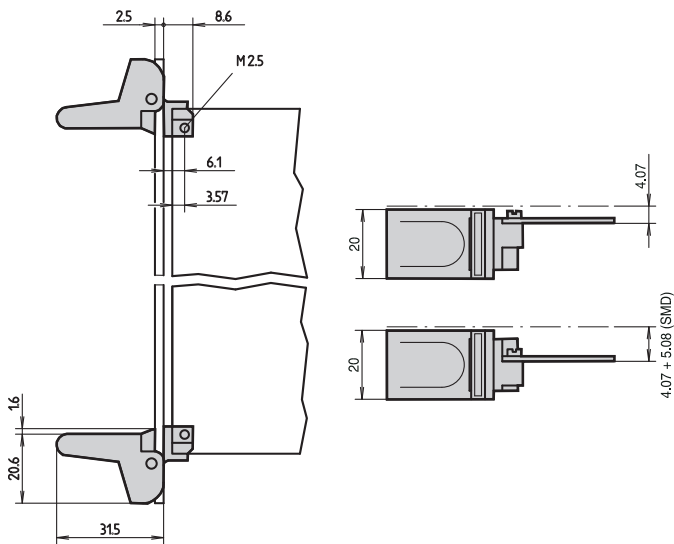
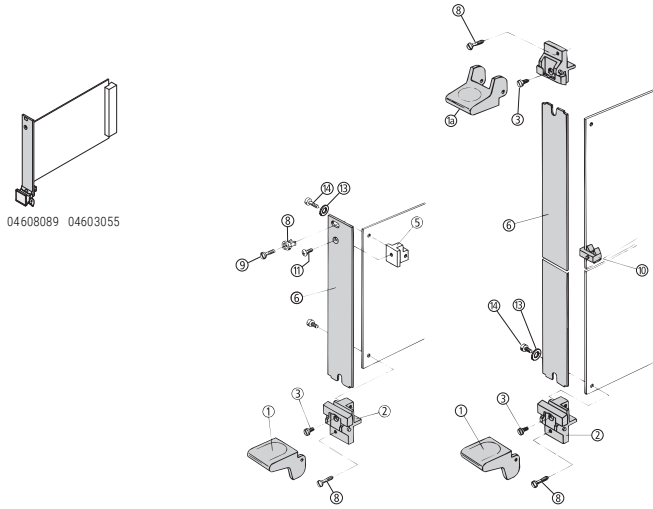
Fixing material	Item	Image	Required Qty		Qty/PU	Part no.
			3 U	6 U		
Board support, die-cast zinc, with thread M2.5, for front panel and PCB fixing	5		1	–	1 piece (SPQ 10) <sup>1)</sup>	<b>60807-181</b>
Board support, plastic, PBT, UL 94 V-0, grey, with recess for hexagon nut M2.5, for fixing front panel	5a		1	–	1 piece (SPQ 10) <sup>1)</sup>	<b>60807-183</b>
Plastic sleeve, for form hole 5.9 x 3.3 PA, UL 90 V-2, grey	8		1	–	100	<b>21100-464</b>
Metal sleeve, for form hole 5.9 x 3.3, press-in Stainless steel	8a		1	–	100	<b>21100-662</b>
Collar screws pozidrive/slot (Philips) M2.5 x 12.3, St, nickel-plated	9		2	2	100	<b>21102-026</b>
Pozidrive/slotted collar screw M2.5 x 12.3, St, nickel-plated	9a		2	2	100	<b>21101-101</b>
Raised Pozidrive countersunk screw M2.5 x 8, St, nickel-plated	11		1	–	100	<b>21100-429</b>
Washer 2.7 DIN 125, St, nickel-plated, 100 pieces	13		2	2	100	<b>21100-721</b>
Pozidrive panhead screw M2.5 x 10, St, nickel-plated for item 5	14		2	2	100	<b>21101-220</b>
Pan head screw, self-tapping 2.5 x 8, St, zinc-plated for item 5b	14a		1	–	100	<b>21100-710</b>
Hexagon nut M2.5, nickel-plated steel for item 5b	15		3	6	100	<b>21100-144</b>

1) SPQ (standard pack quantity): Part number includes 1 piece, but delivery is exclusively made in standard pack quantity (SPQ); please order at least the SPQ quantity or a multiple

# Plug-in units – for IEC 60297, key form 1

DIMENSIONS

EXTRACTOR HANDLES/FRONT PANELS KEY FORM 1



04603057



# Plug-in units – for IEC 60297, trapeziform

**KITS**
**PLUG-IN UNIT WITH STATIC TRAPEZIFORM HANDLE**

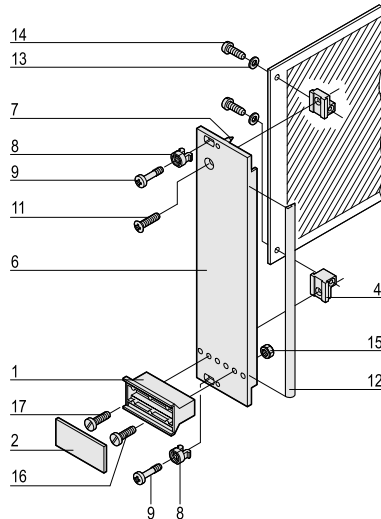

Remark: Delivery do not include the PCB

- Front panel, U-profile, shielded
- Handle without extraction function
- **Plastic Material:**  
UL 94 V0, EN 45545-2, R22 - R24, HL3

**DELIVERY COMPRISES**

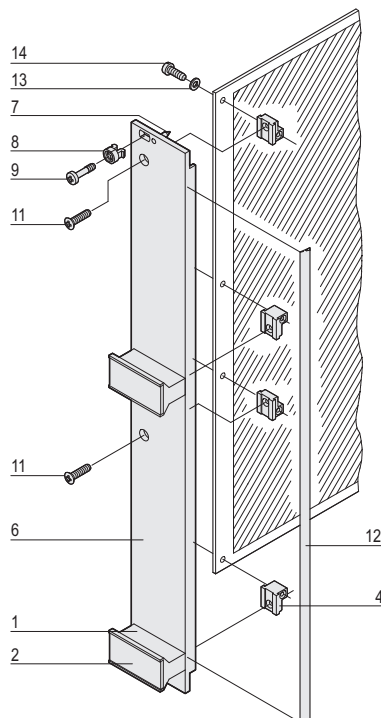
Item	Qty		Description
	3 U	6 U	
1	1	2	Plastic handle, trapeziform, PC, grey (RAL 7035)
2	1	2	Identification plate, Al, 1.5 mm, anodised, cut edges plain
4	2	4	Board support, die-cast zinc
6	1	1	Front panel, U profile, for trapeziform handle, front anodised, rear conductive
7	2	2	Alignment pin, pressed-in, stainless steel
8	2	2	Sleeve, PA, grey, up to 7 HP front panel width
8	4	4	Sleeve, PA, grey, from 8 HP front panel width
9	2	2	Pozidrive/slotted collar screw, St, nickel-plated, M2.5 x 12.3, front panel width up to 7 HP
9	4	4	Pozidrive/slotted collar screw, St, nickel-plated, M2.5 x 12.3, front panel width from 8 HP
11	1	2	Raised countersunk screw, St, nickel-plated, M2.5 x 8
12	1	1	EMC sealing (textile)
13	2	4	Washer, A2.7, DIN 125
14	2	4	Pozidrive flathead screw, St, nickel-plated, M2.5 x 10
15	1	2	Hexagon nut, St, nickel-plated, M2.5
16	1	2	Pozidrive flathead screw, St, nickel-plated, M2.5 x 12
17	1	2	Pozidrive flathead screw, St, nickel-plated, M2.5 x 16

3 U



04602052

6 U



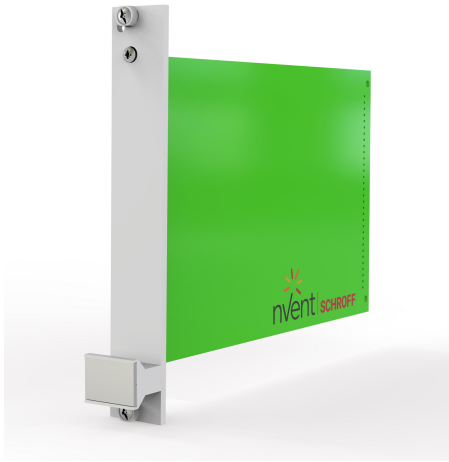
04602053

**ORDER INFORMATION**

Width HP	3 U	6 U
	Part no.	Part no.
3	<b>20848-663</b>	20848-671
4	<b>20848-664</b>	<b>20848-672</b>
5	<b>20848-665</b>	<b>20848-673</b>
6	<b>20848-666</b>	<b>20848-674</b>
7	<b>20848-667</b>	20848-675
8	<b>20848-668</b>	<b>20848-676</b>
10	<b>20848-669</b>	<b>20848-677</b>
12	<b>20848-670</b>	20848-678



# Plug-in units – for IEC 60297, trapeziform

**KITS**
**PLUG-IN UNIT WITH STATIC TRAPEZIFORM HANDLE**


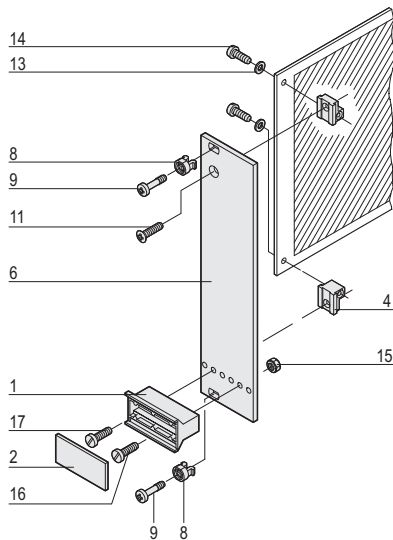
3 U

Remark: Delivery do not include the PCB

- Front panel unshielded
- Handle without extraction function
- **Plastic Material:**  
UL 94 V0, EN 45545-2, R22 - R24, HL3

**DELIVERY COMPRISES**

Item	Qty		Description
	3 U	6 U	
1	1	2	Plastic handle, trapeziform, PC, grey (RAL 7035)
2	1	2	Identification plate, Al, 1.5 mm, anodised, cut edges untreated
4	2	4	Board support, die-cast zinc
6	1	1	Front panel for trapeziform handle, front anodised, rear iridescent green chromated
8	2	2	Sleeve, PA, grey, up to 7 HP front panel width
8	4	4	Sleeve, PA, grey, from 8 HP front panel width
9	2	2	Pozidrive/slotted collar screw, St, nickel-plated, M2.5 x 12.3, front panel width up to 7 HP
9	4	4	Pozidrive/slotted collar screw, St, nickel-plated, M2.5 x 12.3, front panel width from 8 HP
11	1	2	Raised countersunk screw, St, nickel-plated, M2.5 x 8
13	2	4	Washer, A2.7
14	2	4	Pozidrive flathead screw, St, nickel-plated, M2.5 x 8
15	1	2	Hexagon nut, St, nickel-plated, M2.5
16	1	2	Pozidrive flathead screw, St, nickel-plated, M2.5 x 12
17	1	2	Pozidrive flathead screw, St, nickel-plated, M2.5 x 16

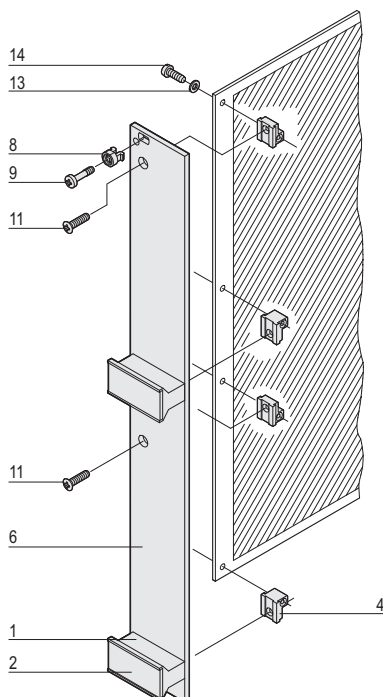


04602064

**ORDER INFORMATION**

Width HP	3 U	6 U
	Part no.	Part no.
3	<b>20818-017</b>	-
4	<b>20818-018</b>	<b>20818-025</b>
5	<b>20818-019</b>	<b>20818-026</b>
6	<b>20818-020</b>	<b>20818-027</b>
7	<b>20818-021</b>	<b>20818-162</b>
8	<b>20818-022</b>	<b>20818-028</b>
10	<b>20818-023</b>	<b>20818-029</b>
12	<b>20818-024</b>	<b>20818-120</b>

6 U



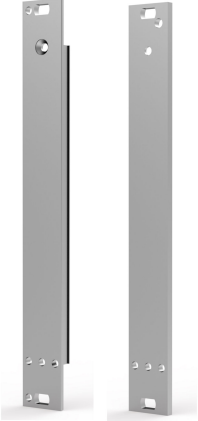
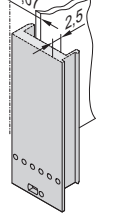
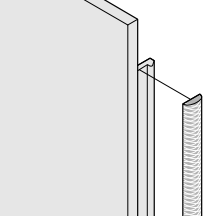
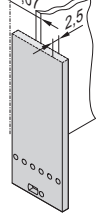
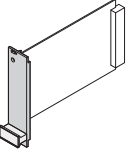
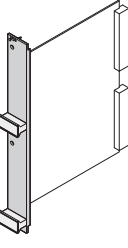
04602065

# Plug-in units – for IEC 60297, trapeziform

**INDIVIDUAL COMPONENTS**

**FRONT PANELS FOR STATIC CANTILEVER HANDLES**

**ORDER INFORMATION**

		Front panel, U-profile, shieldable		Front panel unshielded	
		Front panel, U-profile	Textile EMC gasket		
 <p>U-Profile Front panel    Flat Front panel</p>		 <p>04608130</p> <p>Al extrusion, front anodised, rear conductive, alignment pin pressed-in, stainless steel</p>	 <p>bga45760</p> <p>always fixed laterally on the front panel, in the groove of the profile, textile gasket, core: foam, sleeve: textile cladding with CuNi coating, UL 94 V-0, temperature range -40 ... 70 °C</p>	 <p>04608131</p> <p>front panel, Al 2.5 mm; front anodised; rear iridescent green chromated</p>	
Width HP		1 piece (SPQ 5) <sup>1)</sup>	PU 10 pieces    PU 100 pieces	1 piece (SPQ 5) <sup>1)</sup>	
<b>3 U Height</b>					
 <p>04608126</p>	3	<b>30849-086</b>	<b>21101-853</b>	<b>21101-854</b>	<b>30847-602</b>
	4	<b>30849-087</b>			<b>30847-603</b>
	5	<b>30849-088</b>			<b>30847-604</b>
	6	<b>30849-089</b>			<b>30847-605</b>
	7	<b>30849-090</b>			<b>30847-606</b>
	8	<b>30849-091</b>			<b>30847-607</b>
	10	<b>30849-092</b>			<b>30847-608</b>
12	<b>30849-093</b>	<b>30847-609</b>			
<b>6 U Height</b>					
 <p>04608127</p>	3	<b>30849-097</b>	<b>21101-855</b>	<b>21101-856</b>	<b>30847-625</b>
	4	<b>30849-098</b>			<b>30847-626</b>
	5	<b>30849-099</b>			<b>30847-627</b>
	6	<b>30849-100</b>			<b>30847-628</b>
	7	<b>30849-101</b>			–
	8	<b>30849-102</b>			<b>30847-630</b>
	10	<b>30849-103</b>			<b>30847-631</b>
12	<b>30849-104</b>	–			
Dimensions see page		7.62		7.62	

1) SPQ (standard pack quantity): Part number includes 1 piece, but delivery is exclusively made in standard pack quantity (SPQ); please order at least the SPQ quantity or a multiple  
 Part no. includes one packing unit (PU); delivery is exclusively made in PU

# Plug-in units – for IEC 60297, trapeziform

**INDIVIDUAL COMPONENTS**
**STATIC TRAPEZIFORM HANDLE**
**ORDER INFORMATION**

	Plastic handle in trapeziform			Al profile handle		
	Trapeziform handle black (RAL 9005)	Trapeziform handle light grey (RAL 7035)	Fixing clip	Handle item 20	Fixing part for Al profile handle item 21	Square nut item 22
	<p>Handle: PC, UL 94 V0; EN 45545-2, R22- R24, HL3</p> <p>Identificationplate: Al, 1.5 mm, anodized, cut edges plain; please order clip separately; 3, 4 HP each have 2 alignment pins, 5 ... 42 TE have no alignment pins;</p> <p>required qty: 1 handle for 3 HE 2 handles for 6 HE</p>		clip, PPE, UL 94 V-0, black	Al extrusion, anodized; fixing part, POM, black; square nut, St, nickel-plated; at length of 1000 mm only Al extrusion	fixing part, POM, black	DIN 562, M2.5, St, nickel-plated
	Width HP	1 piece (SPQ 5) <sup>1)</sup>	1 piece (SPQ 5) <sup>1)</sup>	PU 100 pieces	1 piece (SPQ 10) <sup>1)</sup>	PU 100 pieces
	<b>3 / 6 U Height</b>					
	3	<b>20809-396</b>	<b>20809-294</b>	–	<b>20809-281</b>	
	4	<b>20809-397</b>	<b>20809-295</b>	–	<b>20809-282</b>	
	5	<b>20808-080</b>	<b>20808-003</b>	<b>21101-239</b>	<b>20809-283</b>	
	6	<b>20808-081</b>	<b>20808-060</b>	<b>21101-239</b>	<b>20809-284</b>	
	7	<b>20808-082</b>	<b>20808-061</b>	<b>21101-239</b>	<b>20809-285</b>	
	8	<b>20808-083</b>	<b>20808-062</b>	<b>21101-239</b>	<b>20809-286</b>	
	9	<b>20808-084</b>	<b>20808-063</b>	<b>21101-239</b>	<b>20809-287</b>	
	10	<b>20808-085</b>	<b>20808-004</b>	<b>21101-239</b>	<b>20809-288</b>	
	12	<b>20808-086</b>	<b>20808-064</b>	<b>21101-239</b>	<b>20809-289</b>	
	14	<b>20808-087</b>	<b>20808-065</b>	<b>21101-239</b>	<b>20809-290</b>	
	21	<b>20808-088</b>	<b>20808-066</b>	<b>21101-239</b>	<b>20809-291</b>	
	28	<b>20808-089</b>	<b>20808-067</b>	<b>21101-239</b>	<b>20809-292</b>	
	40	<b>20808-090</b>	<b>20808-009</b>	<b>21101-239</b>	–	
	42	<b>20808-091</b>	<b>20808-068</b>	<b>21101-239</b>	<b>20809-293</b>	
	61	–	<b>20808-012</b>	–	–	
	1000 mm	–	–	–	<b>30809-428</b>	<b>21100-476</b> <b>21100-359</b>
		7.60 Item 15, 16, 17				
	Dimensions see page	7.60	7.60	7.59	7.59	7.59

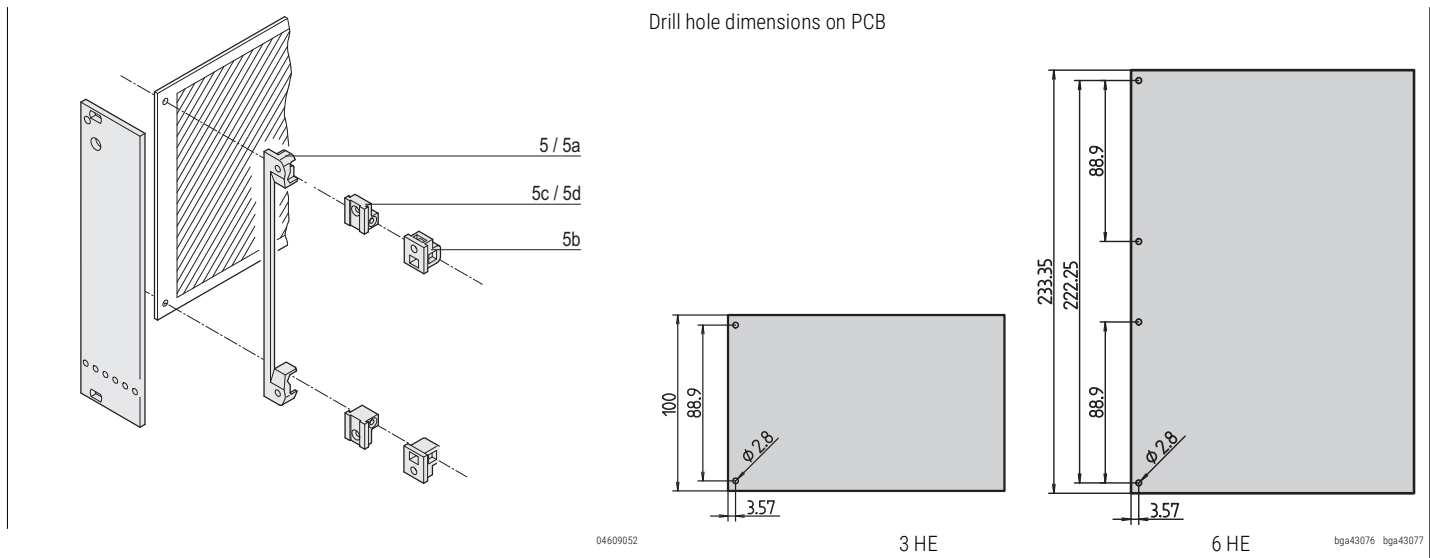
Fixing material see page

Dimensions see page

1) SPQ (standard pack quantity): Part number includes 1 piece, but delivery is exclusively made in standard pack quantity (SPQ); lease order at least the SPQ quantity or a multiple

Part no. includes one packing unit (PU); delivery is exclusively made in PU

# Plug-in units – for IEC 60297, trapeziform

**INDIVIDUAL COMPONENTS**
**PCB BRACKET FOR STATIC TRAPEZIFORM HANDLE**


04609052

3 HE

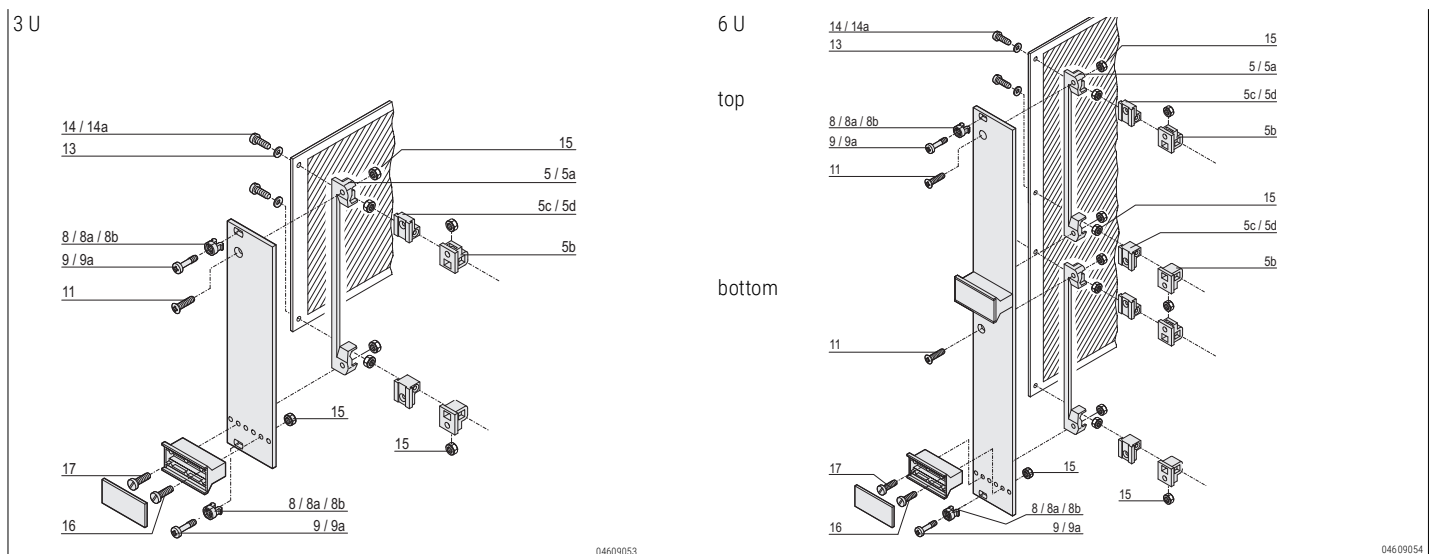
6 HE

bga43076 bga43077

	Item	Image	Required Qty		Qty/PU	Part no.
			3 U	6 U		
<b>PCB bracket</b> 4 clearance holes for front panel/PCB fixing, 4 recesses for hexagon nuts; PBT, UL 94 V-0, red	5		1	2	1 piece (SPQ 10) <sup>1)</sup>	<b>60807-011</b>
<b>PCB bracket</b> 4 threads M2.5 for front panel/PCB fixing, PBT, UL 94 V-0, grey, 1 piece	5a	 <small>AZA45177</small>	1	2	1 piece (SPQ 10) <sup>1)</sup>	<b>60807-211</b>
<b>PCB bracket</b> Clearance hole for front panel fixing, with recess for hexagon nut, drill hole for self-tapping screw for PCB fixing, PBT, UL 94 V-0, grey, 1 piece	5b	 <small>AZA45177</small>	2	4	1 piece (SPQ 10) <sup>1)</sup>	<b>60807-183</b>
<b>PCB bracket</b> 2 threads M2.5 for front panel/PCB fixing, die-cast zinc, 1 piece	5c	 <small>06707050</small>	2	4	1 piece (SPQ 10) <sup>1)</sup>	<b>60807-181</b>
<b>PCB bracket</b> Thread M2.5 for front panel fixing, clearance hole for PCB fixing, die-cast zinc, 1 piece	5d	 <small>06707050</small>	2	4	1 piece (SPQ 10) <sup>1)</sup>	<b>60807-203</b>

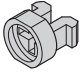


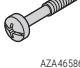








1) SPQ (standard pack quantity): Part number includes 1 piece, but delivery is exclusively made in standard pack quantity (SPQ); please order at least the SPQ quantity or a multiple

# Plug-in units – for IEC 60297, trapeziform

**INDIVIDUAL COMPONENTS**
**FIXING MATERIAL FOR STATIC TRAPEZIFORM HANDLE**


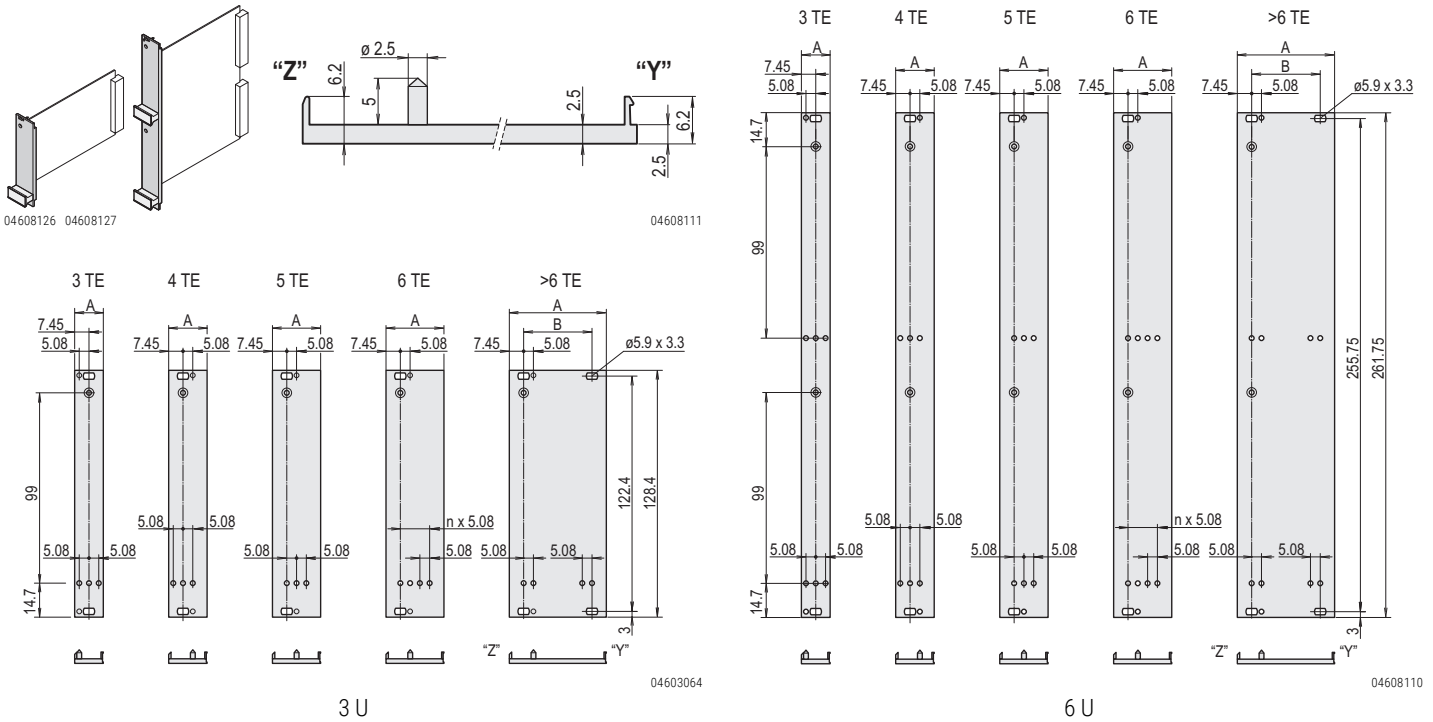
04609053

04609054

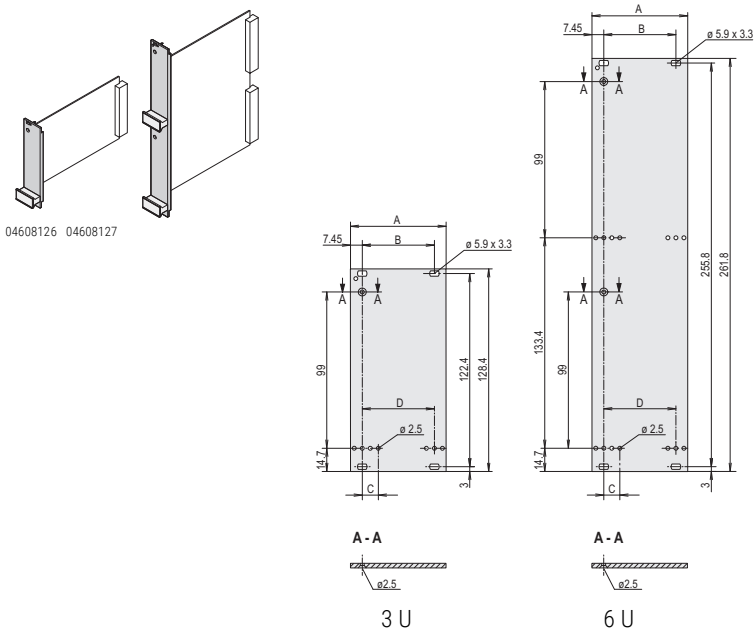
	Item	Image	Required Qty		Qty/PU		Part no.	
			3 U < 8 HP	3 U ≥ 8 HP	6 U < 8 HP	6 U ≥ 8 HP		
Plastic sleeve, for form hole 5.9 x 3.3 PA, UL 90 V-2, grey	8		2	4	2	4	100	<b>21100-464</b>
Metal sleeve, for form hole 5.9 x 3.3, press-in Stainless steel	8		2	4	2	4	100	<b>21100-662</b>
Metal sleeve, for form hole 5.9 x 3.3, to press-in Nickel-plated brass	8a		2	4	2	4	100	<b>21100-660</b>
Collar screws pozidrive/slot (Philips) M2.5 x 12.3, St, nickel-plated not for europacPRO and cases	9		2	4	2	4	100	<b>21102-026</b>
Pozidrive/slotted collar screw M2.5 x 12.3, St, nickel-plated	9a		2	4	2	4	100	<b>21101-101</b>
Raised Pozidrive countersunk screw M2.5 x 8, St, nickel-plated	11		1	1	2	2	100	<b>21100-429</b>
Washer 2.7 DIN 125, St, nickel-plated, 100 pieces	13		2	2	4	4	100	<b>21100-721</b>
Pozidrive panhead screw M2.5 x 8, nickel-plated steel if using item 13	14		2	2	4	4	100	<b>21101-069</b>
Panhead screw, self-tapping 2.5 x 8, St, zinc-plated for items 5 and 5b	14a		1	1	-	-	100	<b>21100-710</b>
Hexagon nut M2.5, nickel-plated steel for items 5 and 5b	5		4	4	8	8	100	<b>21100-144</b>
	5b		2	2	4	4		
Pozidrive panhead screw M2.5 x 12, nickel-plated steel	16		1	1	2	2	100	<b>21101-221</b>
Pozidrive panhead screw M2.5 x 16, nickel-plated steel	17		1	1	2	2	100	<b>21101-222</b>

1) SPQ (standard pack quantity): Part number includes 1 piece, but delivery is exclusively made in standard pack quantity (SPQ); please order at least the SPQ quantity or a multiple

# Plug-in units – for IEC 60297, trapeziform

**DIMENSIONS**
**FRONT PANELS, U PROFILE, SHIELDABLE FOR STATIC TRAPEZIFORM HANDLE**


Dimensions table		
Width HP	A mm	B mm
3	14.90	-
4	19.98	-
5	25.06	-
6	30.14	-
7	35.22	-
8	40.30	25.40
10	50.46	35.56
12	60.62	45.72

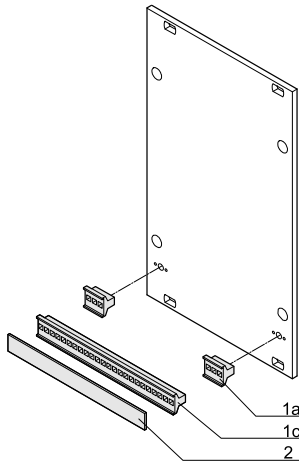
**DIMENSIONS**
**FRONT PANELS FOR STATIC TRAPEZIFORM HANDLE**


Dimensions table				
Width HP	A mm	B mm	C mm	D mm
3	14.90	-	-	-
4	19.98	-	-	-
5	25.06	-	10.16	-
6	30.14	-	-	15.24
7	35.22	-	-	20.32
8	40.30	25.40	-	25.40
10	50.46	35.56	-	35.56
12	60.62	45.72	-	45.72

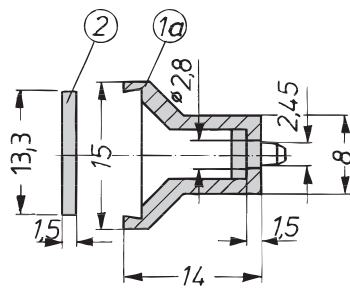
# Plug-in units – for IEC 60297, trapeziform

**DIMENSIONS**
**STATIC PLASTIC HANDLES, TRAPEZIFORM**
**Dimensions table**

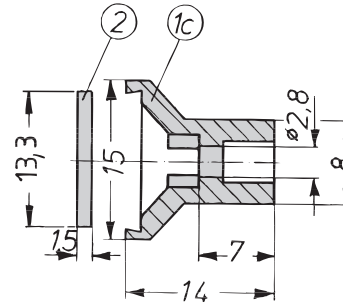
Item	Width	
	HP	mm
1a	3	13.8
1a	4	18.9
1c	5	24.0
1c	6	29.0
1c	7	34.1
1c	8	39.2
1c	9	44.3
1c	10	49.4
1c	12	59.6
1c	14	69.7
1c	21	105.2
1c	28	140.8
1c	40	201.8
1c	42	212.0
1c	61	308.5



BGA46447



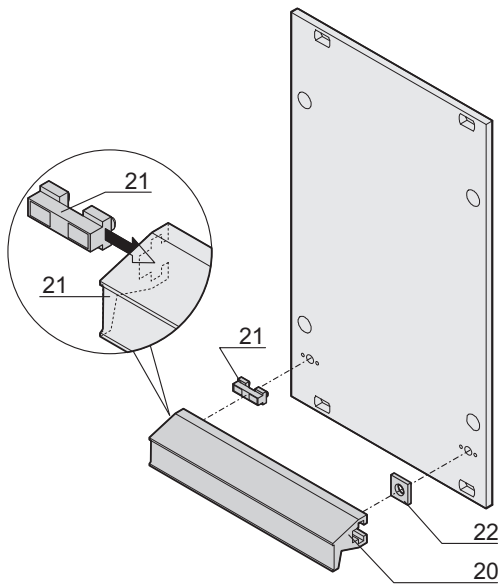
A4-328a



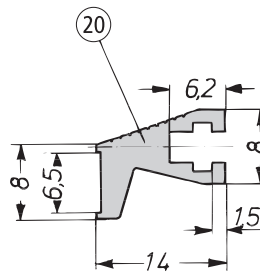
A4-328c

**DIMENSIONS**
**ALUMINIUM EXTRUSION HANDLES**
**Dimensions table**

Item	Width	
	HP	mm
20	3	13.8
20	4	18.9
20	5	24.0
20	6	29.0
20	7	34.1
20	8	39.2
20	9	44.3
20	10	49.4
20	12	59.6
20	14	69.7
20	21	105.2
20	28	140.8
20	40	201.8
20	42	212.0
20	-	1000



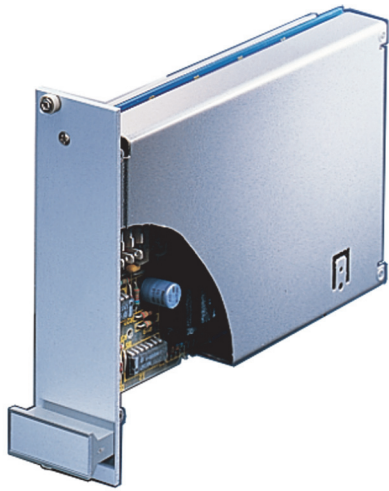
04602069



A4-328d

# Plug-in units – with mechanical shielding

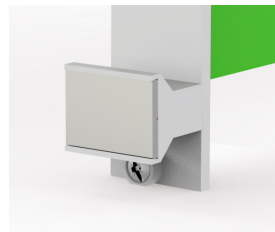
## PLUG-IN UNIT WITH MECHANICAL SHIELDING, 3 U KITS



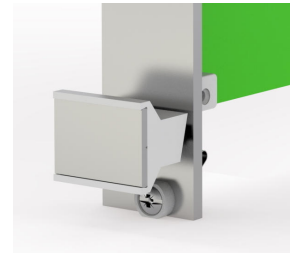
04694001

- Mechanical protection of sub-assembly
- Earthing of shielding panels possible by Faston connectors 6.3 × 0.6 mm
- For euroboards 100 × 160 mm

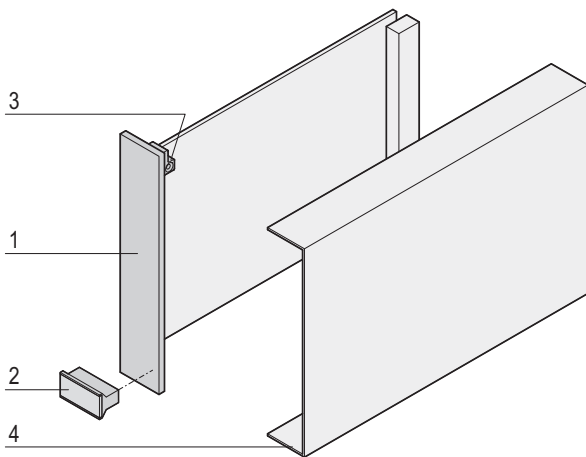
Handles without extraction function



Handles with extraction function



## 3 U KIT, SHIELDING COMPONENT SIDE



04602077

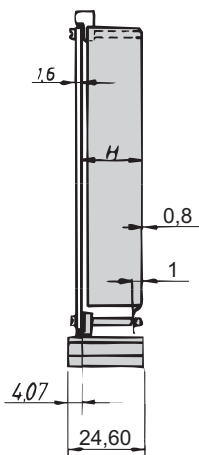
- Usable connectors in accordance with EN 60603 (DIN 41612): Construction type B, C, D, F, H, R;

### DELIVERY COMPRISES

Item	Qty	Description
4	1	Shielding panel component side for 6 HP front panel width, stainless steel, 0.8 mm

### ORDER INFORMATION

Description	Part No.
Shielding panel component side for 6 HP front panel width, stainless steel, 0.8 mm	<b>20809-371</b>

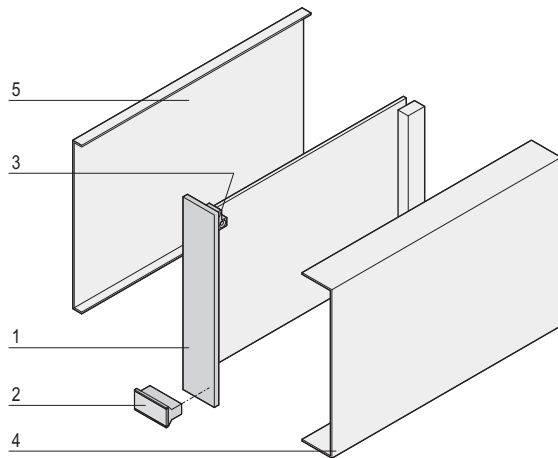


a4-237



# Plug-in units – with mechanical shielding

## 3 U KITS, BOTH SIDES SHIELDED (SOLDER/COMPONENT SIDE)



04602078

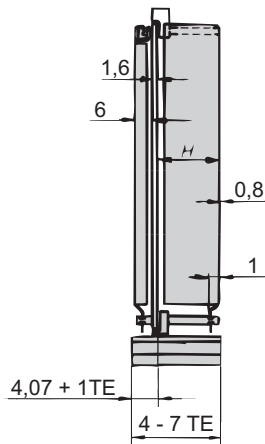
- Usable connectors in accordance with EN 60603 (DIN 41612):  
Construction type B, C, D, F, H, R;

### DELIVERY COMPRISES

Item	Qty	Description
5	1	Shielding panel on solder side, stainless steel, 0.8 mm

### ORDER INFORMATION

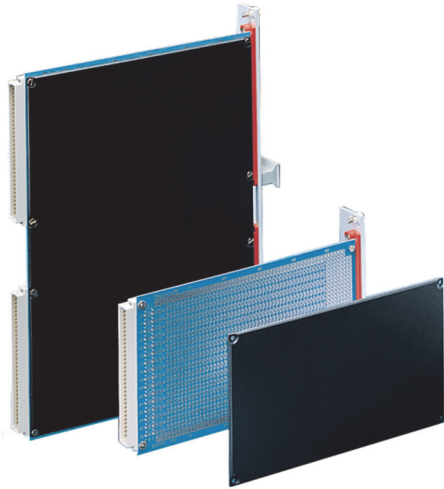
Description	Part no.
Shielding panel on solder side, stainless steel, 0.8 mm	<b>30809-571</b>



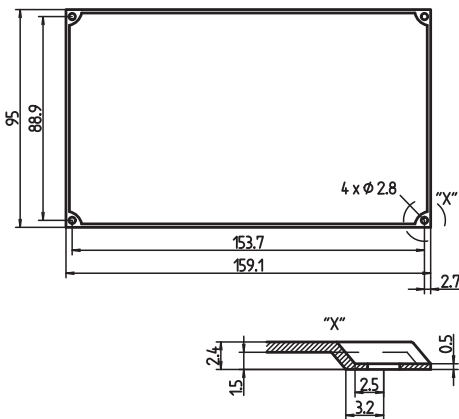
a4-236a

# Plug-in units – with mechanical shielding

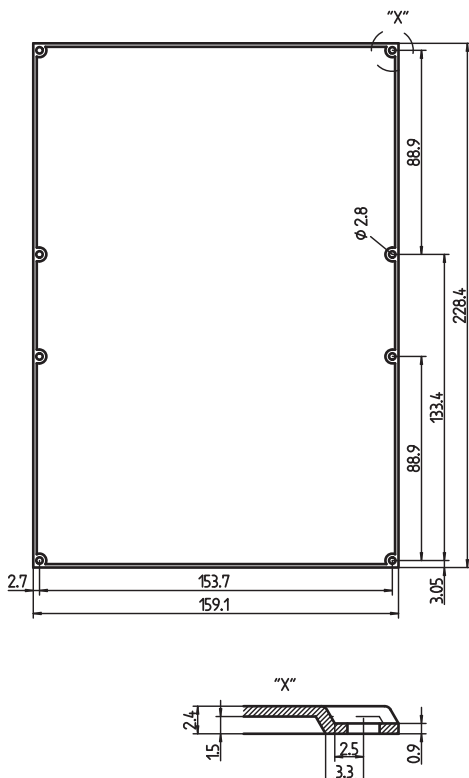
## PCB COVER FOR EUROBOARDS



For PCBs 100 x 160 mm



For PCBs 233.35 x 160 mm



- Mechanical protection of the solder side

### ORDER INFORMATION

Description	Qty	Part no.
PCB cover (thickness 0.9 mm) for euroboards (100 x 160 mm), PBT, black, max. operating temperature without permanent deformation 55 °C	1 piece (SPQ 10)	<b>61000-007</b>
PCB cover (thickness 0.9 mm) with similar temperature expansion coefficients to FR4 PCB; for euroboards (100 x 160 mm), LCP, UL 94 V-0, white, max. operating temperature without permanent deformation 85 °C	1 piece (SPQ 10)	<b>61000-177</b>
PCB cover for double euroboards (233.35 x 160 mm), PP, UL 94 V-0, black	1 piece (SPQ 10)	<b>61000-012</b>
Slotted flathead screw M2.5 x 6, height of head 1.2 mm, PU 100 pieces		<b>21102-007</b>
Slotted flathead screw M2.5 x 12, height of head 1.2 mm, PU 100 pieces		<b>21102-008</b>

11092008

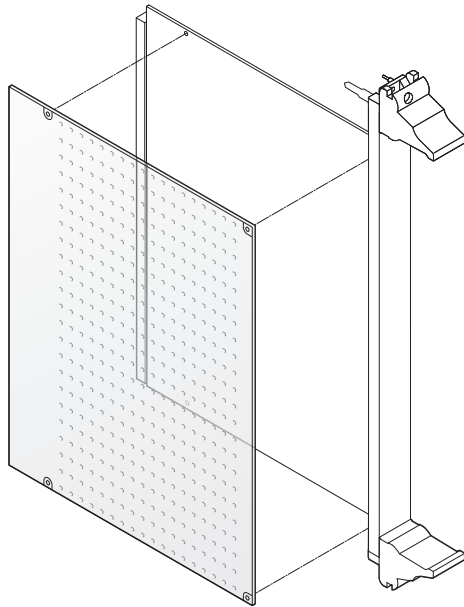
SPQ (standard pack quantity): Part number includes 1 piece, but delivery is exclusively made in standard pack quantity: please order at least 10 pieces of PCB covers or a multiple

LKA40520

LKA30451

# Plug-in units – with mechanical shielding

## PCB COVER FOR COMPACTPCI



- Mechanical protection of solder side
- Cover is perforated for better cooling of components

### DELIVERY COMPRISES

Item	Qty	Description
1	1	Cover, plastic, 0.5 mm, antistatic, perforated, UL 94 V-0; max. operating temperature 65 °C, max. continuous operating temperature 55 °C

### ORDER INFORMATION

Height U	Depth mm	Part no.
6	80	24579-039
3	160	<b>24579-037</b>
6	160	<b>24579-038</b>
Fixing clips PU 100 pieces		21101-914

### NOTE

- Fixing clips are required for mounting the perforated covers; please order separately

12303051

## **North America**

**Warwick, RI, USA**

Tel +1.800.525.4682

**San Diego, CA, USA**

Tel +1.800.854.7086

## **Europe, Middle East & India**

**Straubenhardt, Germany**

Tel +49 7082 794 0

**Betschdorf, France**

Tel +33 3 88 90 64 90

**Warsaw, Poland**

Tel +48 22 209 98 35

**Hemel Hempstead,**

**Great Britain**

Tel +44 1442 24 04 71

**Lainate, Italy**

Tel +39 02 932 714 1

**Dubai, United Arab Emirates**

Tel +971 4 37 81 700

**Bangalore, India**

Tel +91 80 67152000

**Istanbul, Turkey**

Tel +90 216 250 7374

## **Asia Pacific**

**Shanghai, China**

Tel +86 21 2412 6943

**Singapore**

Tel +65 6768 5800

**Shin-Yokohama, Japan**

Tel +81 45 476 0271

Our powerful portfolio of brands:

**CADDY ERICO HOFFMAN RAYCHEM SCHROFF TRACER**



[nVent.com/SCHROFF](https://www.nVent.com/SCHROFF)