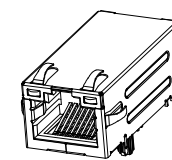
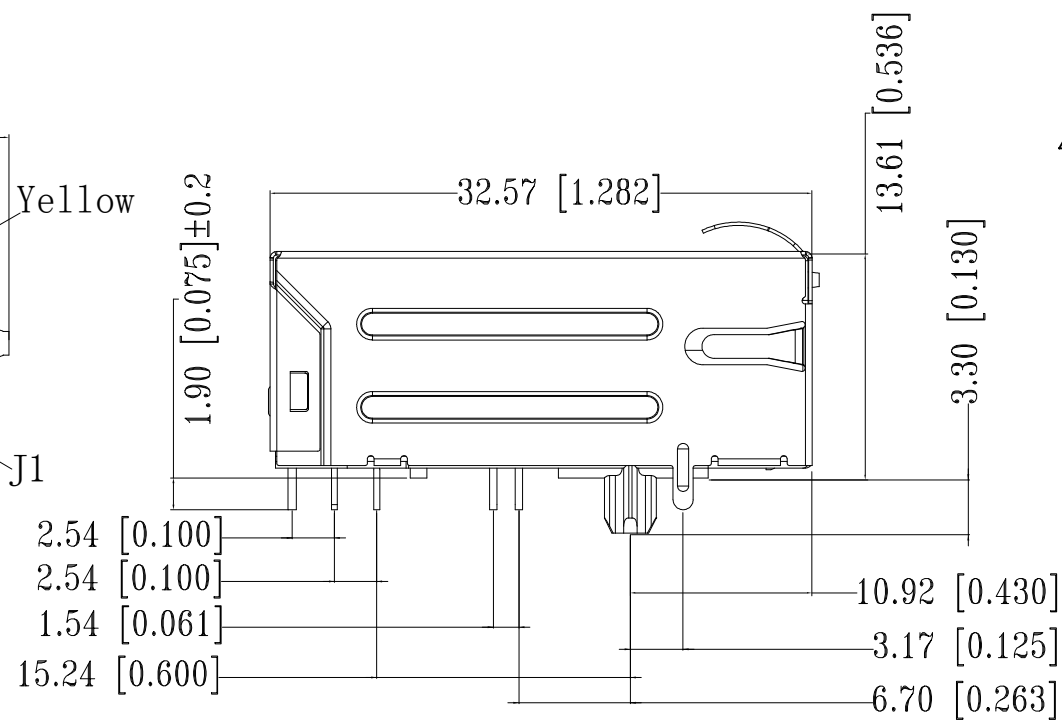
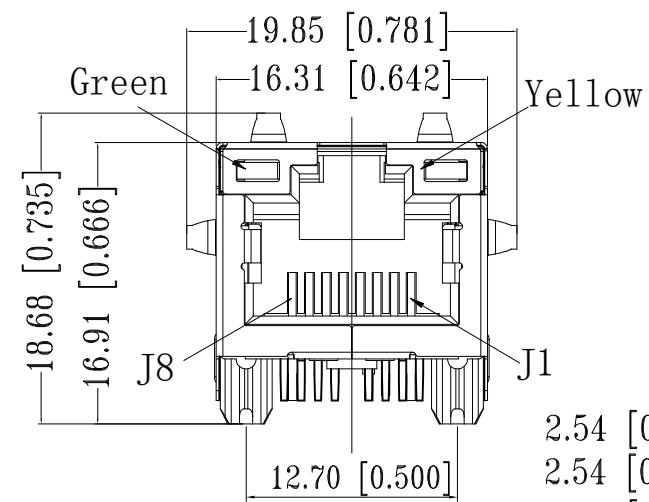
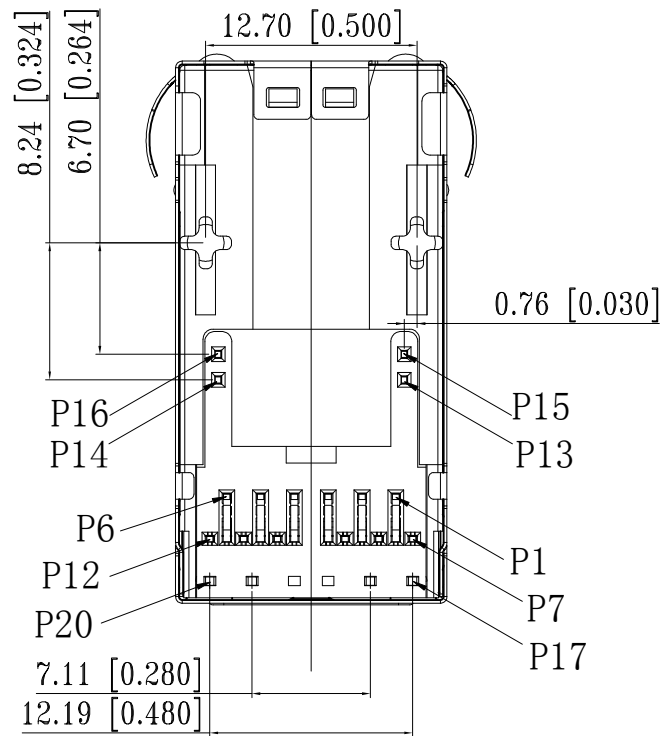


REVISIONS

P	LTR	DESCRIPTION	DATE	DWN	APVD
A		NEW RELEASE	26NOV2018	GCM	JDB



1:1

- △ CONNECTOR MATERIAL:
 HOUSING: LCP BLACK UL94 V-0
 INSERT: LCP BLACK UL94 V-0
 SHIELD: BRASS
 SHIELD PLATING: NICKEL
 CONTACT: COPPER ALLOY
 CONTACT PLATING: SELECTIVE GOLD, MIN. 0.76µm (30µinch) IN CONTACT AREA
 OVER MIN. 1.27µm (50µinch) NICKEL
 SOLDER PIN PLATING: 3.05µm (120µinch) TIN OVER 1.27µm (50µinch) NICKEL
 OVER ALL
 SHIELDING PIN PLATING: NICKEL
- 2 PIN NOT ELECTRICALLY CONNECTED MAYBE OMITTED SEE ELECTRICAL CIRCUIT DIAGRAM FOR OMITTED PINS
- 3 RJ45 CAVITIES CONFORM TO FCC RULES AND REGULATION PART 68
- 4 THE PART IS RECOMMENDED FOR REFLOW SOLDERING PROCESS PEAK SOLDERING: TEMPERATURE MAX. +260° C, MAX. 10s
- 5 OPERATING TEMPERATURE: T= -40° C TO +85° C
- 6 STORAGE TEMPERATURE: T= -40° C TO +85° C
- △ UNLESS OTHERWISE SPECIFIED, SEE TABLE FOR ALL DIMENSIONS TOLERANCES
- 8 JACK CONFIGURATION: 1 x 1
 TAB DIRECTION: UP
- 9 PACKAGING: REEL (T+R) ACCORDING TO PACKAGING SPECIFICATION 107-18116

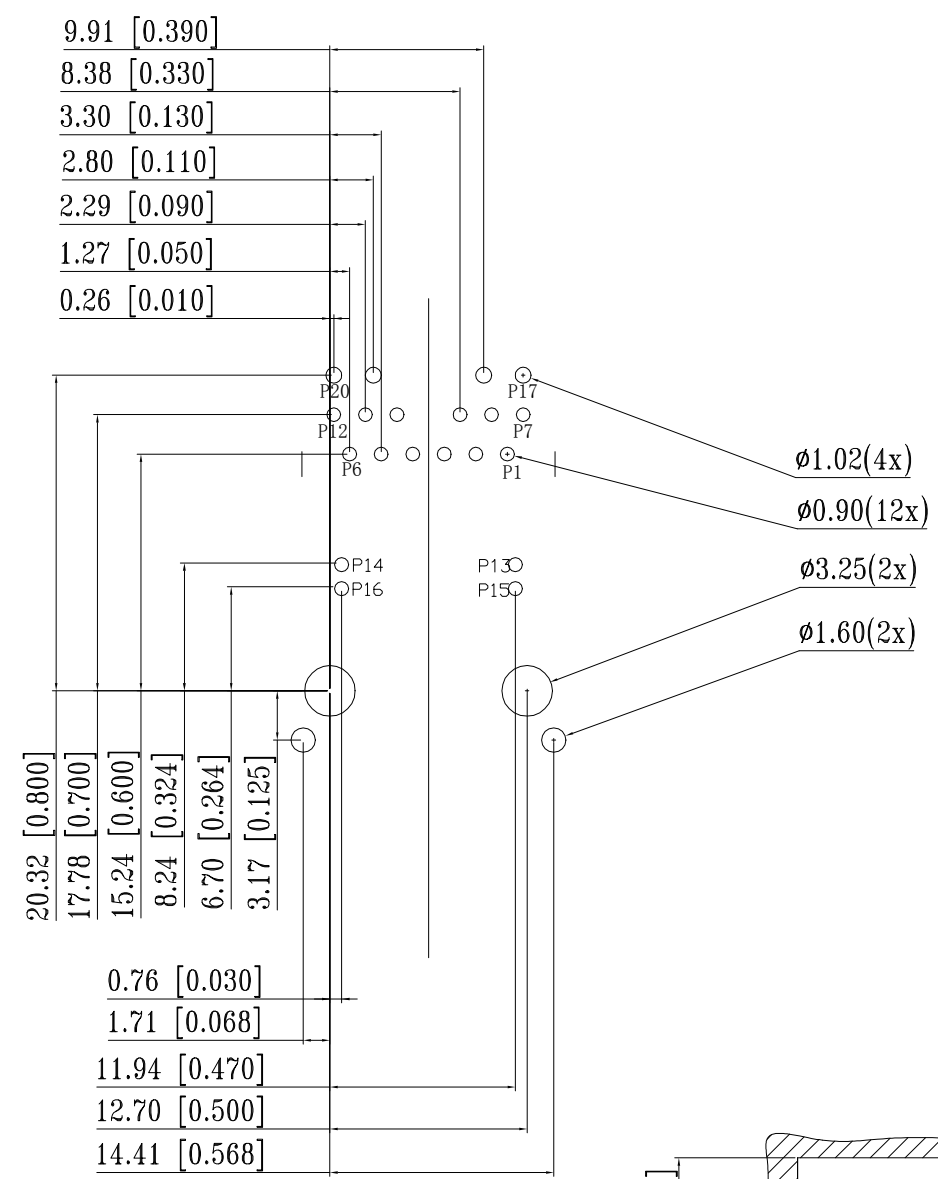
TABLE OF TOLERANCE (mm)	
RANGE	TOLERANCE
0-10	±0.15
>10-40	±0.25
>40-70	±0.30
>70	±0.40

THIS DRAWING IS A CONTROLLED DOCUMENT.		DWN	26NOV2018	STE TE Connectivity	
		CHK	26NOV2018		
		O. WIBORG		NAME	
		J. DE BRUIJN		RJ45 JACK MAG. POE 1Gb LED 1x1 INV	
DIMENSIONS: mm [INCHES]		TOLERANCES UNLESS OTHERWISE SPECIFIED:		PRODUCT SPEC	
		0 PLC ± -		108-94694	
		1 PLC ± - △7		APPLICATION SPEC	
		2 PLC ± -		114-94556	
		3 PLC ± -		SIZE	
		4 PLC ± -		A3	
		ANGLES ± -		CAGE CODE	
		FINISH		00779	
MATERIAL		FINISH		DRAWING NO	
△1		△1		C=2337992-5	
CUSTOMER DRAWING				RESTRICTED TO	
				SCALE 3:1	
				SHEET 1 OF 3	
				REV A	

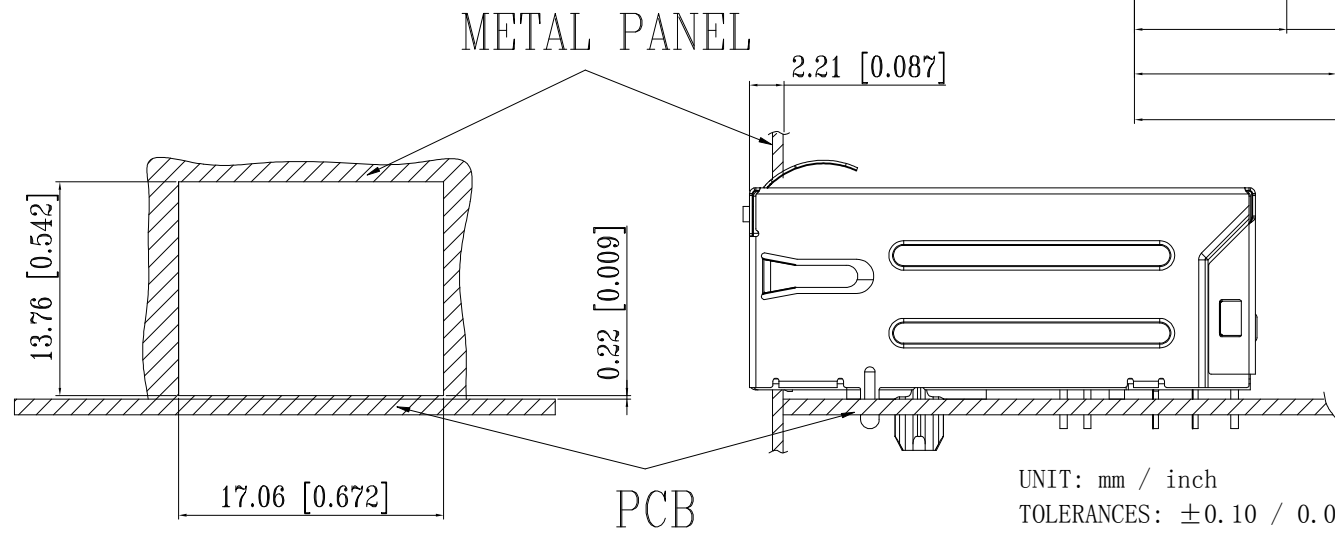
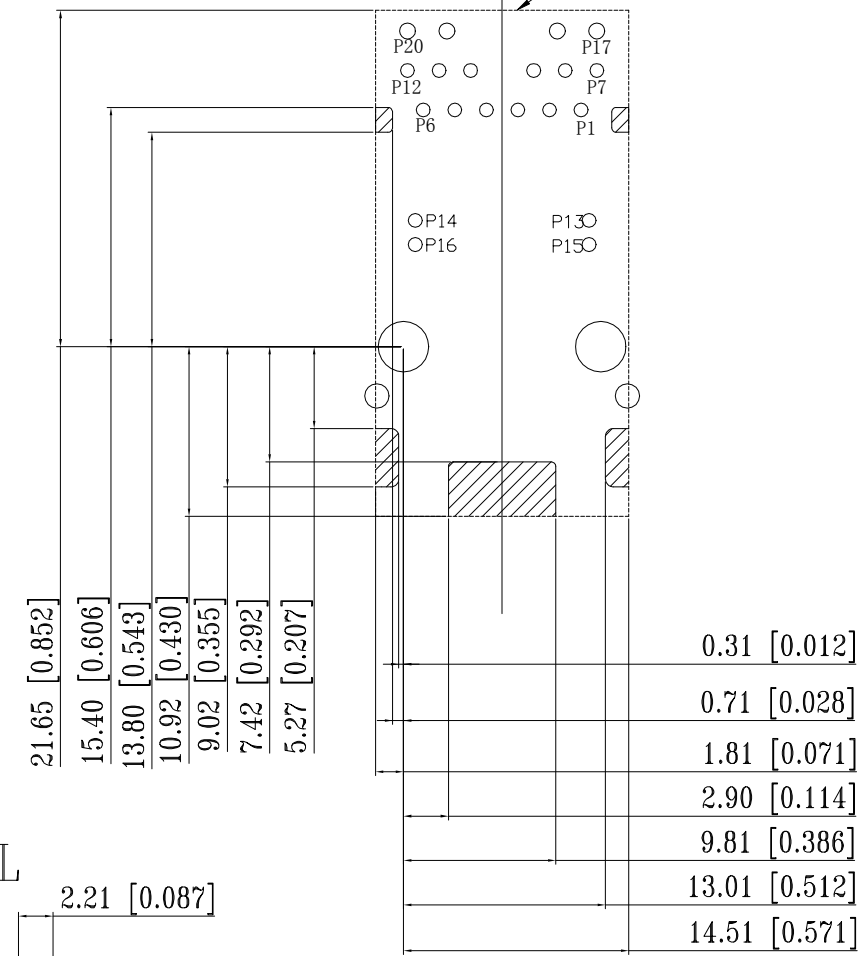
REVISIONS

P	LTR	DESCRIPTION	DATE	DWN	APVD
-	-	SEE SHEET 1	-	-	-

SUGGESTED PCB LAYOUT



Connector Boundary



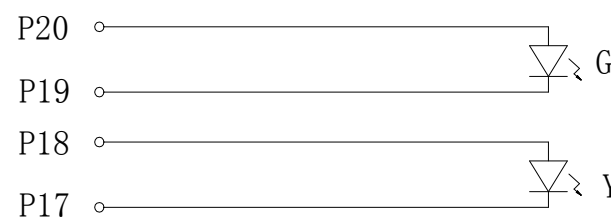
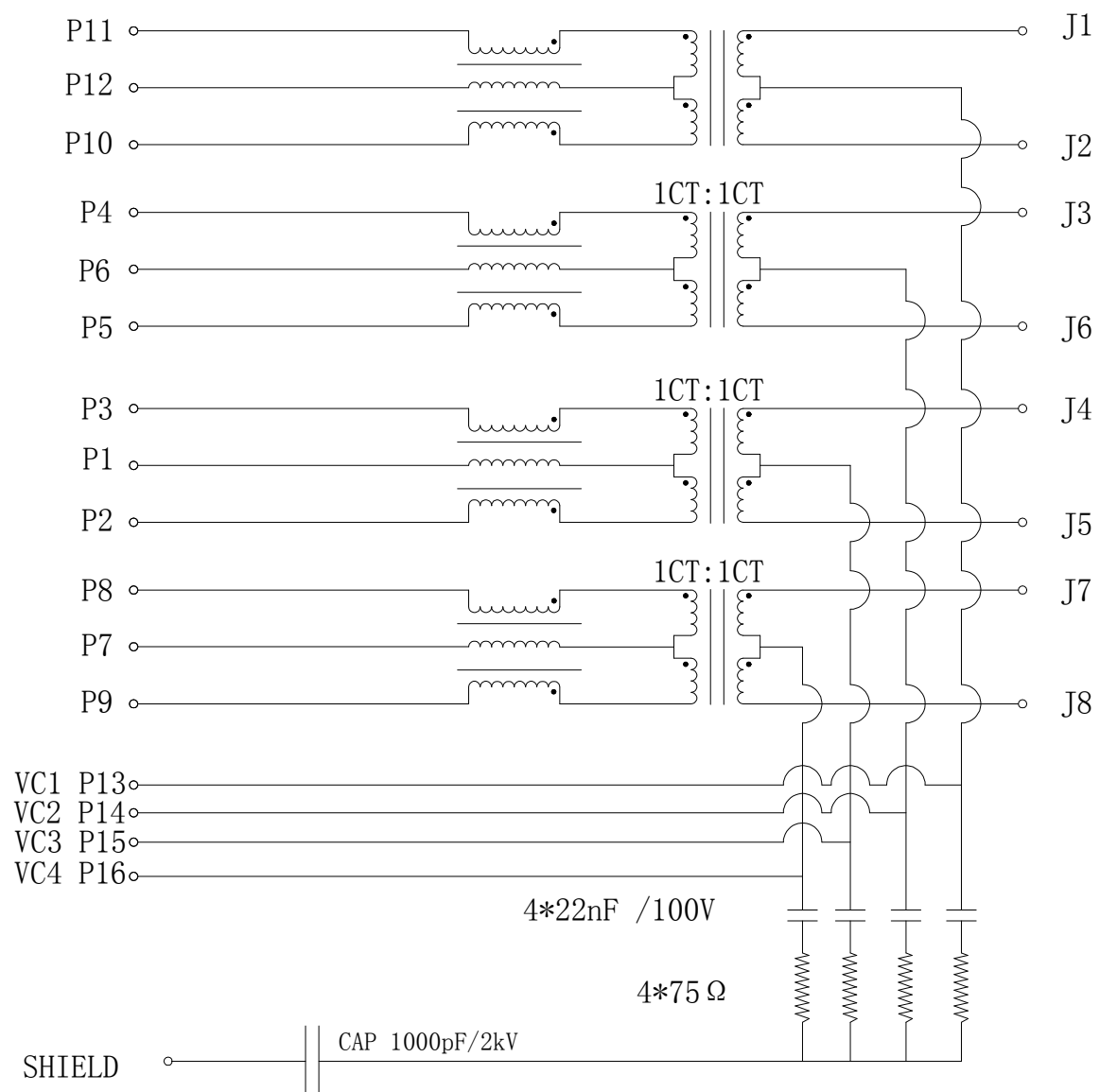
UNIT: mm / inch
TOLERANCES: ±0.10 / 0.004

THIS DRAWING IS A CONTROLLED DOCUMENT.		DWN	26NOV2018		STE TE Connectivity
		CHK	26NOV2018		
		APVD	26NOV2018		
DIMENSIONS: mm [INCHES]		TOLERANCES UNLESS OTHERWISE SPECIFIED:		NAME	
		0 PLC	± -	RJ45 JACK MAG. POE 1Gb LED 1x1 INV	
		1 PLC	± -		
		2 PLC	± -	PRODUCT SPEC 108-94694	
		3 PLC	± -		
		4 PLC	± -	APPLICATION SPEC 114-94556	
		ANGLES	± -		
MATERIAL		FINISH		SIZE	RESTRICTED TO
				A3	-
				CAGE CODE	DRAWING NO
				00779	C-2337992-5
				WEIGHT	
				CUSTOMER DRAWING	SCALE 3:1
					SHEET 2 of 3
					REV A

REVISIONS

P	LTR	DESCRIPTION	DATE	DWN	APVD
-	-	SEE SHEET 1	-	-	-

ELECTRICAL CIRCUIT DIAGRAM



Pin	Yellow	Pin	Green
P17	-	P19	-
P18	+	P20	+

- 1.0 Turn Ratio @100kHz: (P11~P10):(J1~J2) = 1:1±2%
(P4~P5):(J3~J6) = 1:1±2%
(P3~P2):(J4~J5) = 1:1±2%
(P8~P9):(J7~J8) = 1:1±2%
- 2.0 Primary Inductance: 350µH MIN. @100kHz,0.1V 8mA DC BIAS
- 3.0 DC Resistance: 1.2 OHMS MAX.
- 4.0 Insertion Loss: 1-100MHz -1.0dB MAX.
100-125MHz -1.2dB MAX.
- 5.0 Return Loss: 1-40MHz -16dB MIN.
40-60MHz -12dB MIN.
60-80MHz -10dB MIN.
80-100MHz -8dB MIN.
- 6.0 CROSS TALK: 1-100MHz -27.1dB MIN.
- 7.0 COMMON TO COMMON MODE ATTENUATION: 1-100MHz -30dB MIN
- 8.0 Isolation: PHY Side to Line Side: 2250VDC
- 9.0 DC CURRENT/VOLTAGE RATING-PSE PINS: 720mA MAX. @57VDC (CONTINUOUS)

2337992-5
WWYY-xxxx

STE

FCC

CONTROL CODE
DATE CODE
"0213"
YY-YEAR
WW-WEEK

THIS DRAWING IS A CONTROLLED DOCUMENT.		DWN GANESH C M 26NOV2018	STE TE Connectivity	
DIMENSIONS: mm [INCHES]		CHK O. WIBORG 26NOV2018		
TOLERANCES UNLESS OTHERWISE SPECIFIED: 0 PLC ± - 1 PLC ± - 2 PLC ± - 3 PLC ± - 4 PLC ± - ANGLES ± -		APVD J. DE BRUIJN 26NOV2018	NAME RJ45 JACK MAG. POE 1Gb LED 1x1 INV	
MATERIAL 1		FINISH 1	PRODUCT SPEC 108-94694	RESTRICTED TO -
		APPLICATION SPEC 114-94556	SIZE A3	CAGE CODE 00779
		WEIGHT	DRAWING NO C=2337992-5	SCALE 3:1
		CUSTOMER DRAWING	SHEET 3 OF 3 REV A	