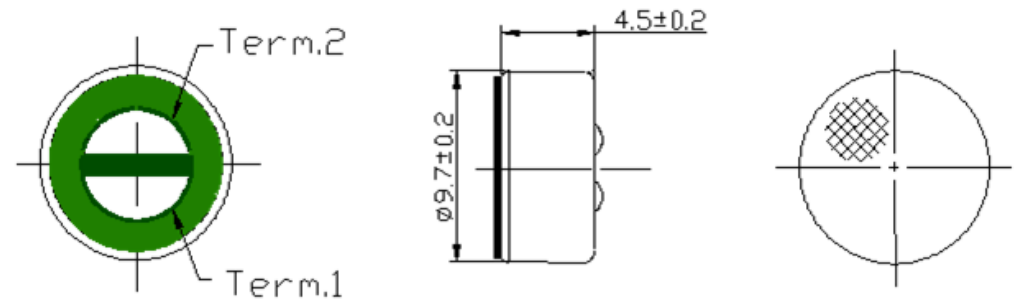


# ABM-720-RC OMNI DIRECTIONAL MICROPHONE, 9.7x4.5MM

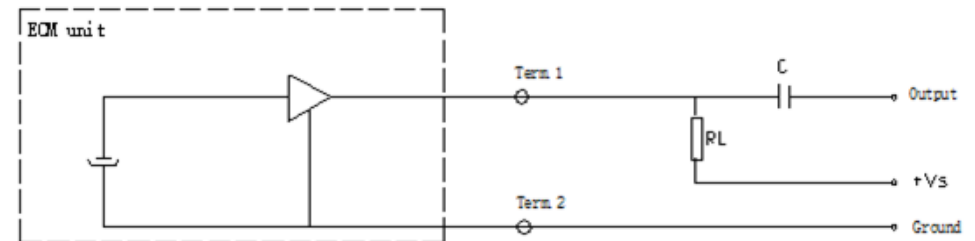
MICROPHONES

## Specifications

	<b>ABM-720-RC</b>
Directivity	Omni directional
Standard operating voltage	3V
Maximum operating voltage	10V
Maximum current consumption	0.5mA
Output impedance (F=1KHz 1Pa)	< 2.2KΩ
Frequency	50~16000Hz
Sensitivity (@F=1KHz, 0dB=1V/Pa)	-40±2.5dB
Sensitivity reduction (@3.0V~1.5V)	-3dB
Signal to noise ratio (F=1KHz 1Pa) A weighted	>60dB
Terminal type	Solder
Material	AL
Storage temperature	-25°C~+70°C
Operating temperature	-20°C~+60°C



Note: Soldering iron of +330±5°C should be placed on the terminal for 2±0.5 seconds.



ROHS Compliant



Alan Butcher Components

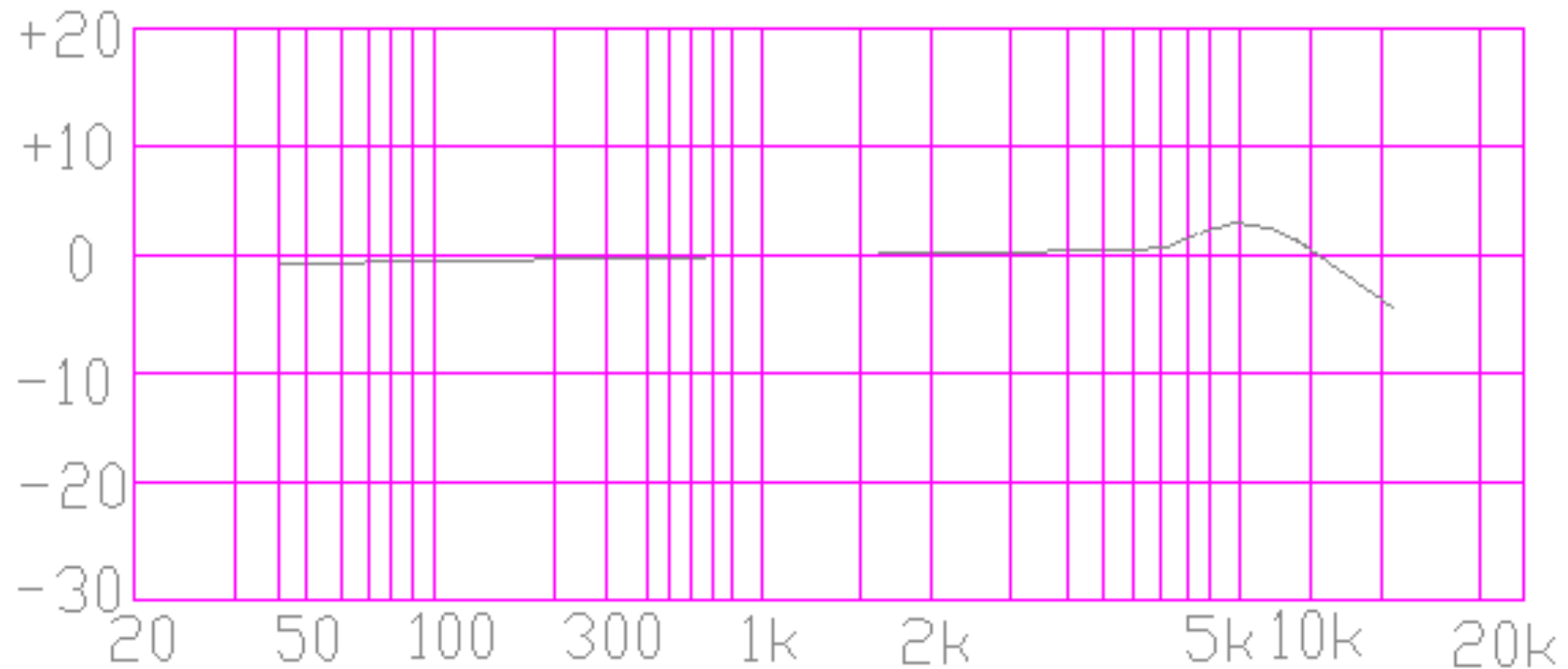
Alan Butcher Components Ltd

Unit 1 Beechwood Clump Farm Industrial Estate Tin Pot Lane Blandford Dorset DT11 7TD

Telephone 01258 456360 Email sales@abcomponents.co.uk

www.abcomponents.co.uk

Typical Frequency Response Curve



Alan Butcher Components

**Alan Butcher Components Ltd**

Unit 1 Beechwood Clump Farm Industrial Estate Tin Pot Lane Blandford Dorset DT11 7TD

Telephone 01258 456360 Email [sales@abcomponents.co.uk](mailto:sales@abcomponents.co.uk)

[www.abcomponents.co.uk](http://www.abcomponents.co.uk)