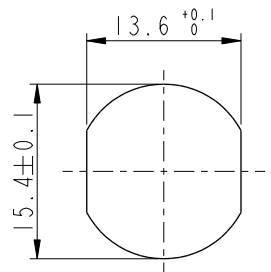


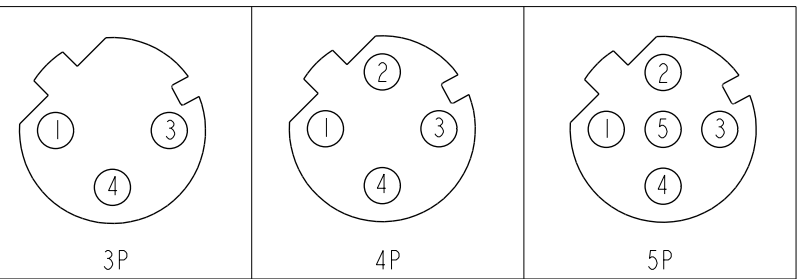
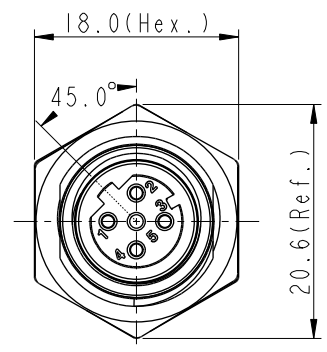
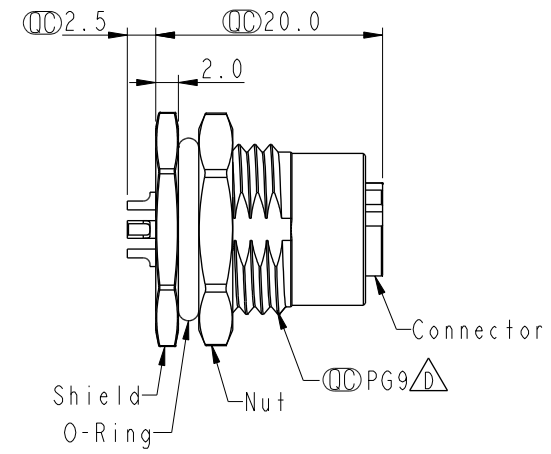
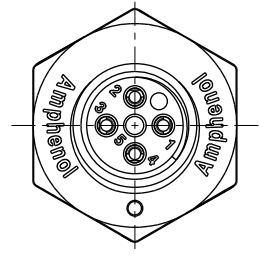
THIS DOCUMENT IS SUBJECT TO CHANGE WITHOUT NOTICE. IT IS CONFIDENTIAL AND A PROPERTY OF Amphenol LTW. DISCLOSURE TO THIRD PARTY HAS TO BE AUTHORIZED BY Amphenol LTW.

REV.	ECN NO.	DATE	SIGN	DESCRIPTION
D	C201469	2020/09/28	Ruru	△D X5
E	C210309	2021/03/02	Ruru	△E X2
F	C221973	2022/12/26	Ruru	△F X1



MI2D-XXPFFS-SF8001
 XX: No. Of Pin

Recommended Panel Cut-Out



Pin Assignment Front View

- △D△E Note:
- * RoHS Compliant
 - * ⌀ Important dimension
 - △F△C * Waterproof rate: IP68, unmated 1m/24h
IP69K, unmated
 - * Connector
Housing: Thermoplastic, Black
Pin: Copper alloy, Gold plated
O-Ring: Rubber, Green
 - * Shield: Metal
 - * Nut: Metal
 - * O-Ring: Rubber, Black
 - * For panel thickness max: 4.5mm
 - * Nut is packed separately in pe bag

UNIT:mm			TITLE N SEN, M12 D, SCREW RECEPTACLE, F, F, SOLDER △E
TOLERANCE .X ±0.25 .XX ±0.1 .XXX ±0.05 ANGLES ±1°	SCALE 2:1	SIZE A4	SHEET 1 OF 1
REV. F	WC-REV. A.5	⌀: Inspection item	

Amphenol LTW
 安費諾亮泰企業股份有限公司

ITEM NO.	DWG NO.	CUSTOMER	DRAWN BY Yulong_wang	DATE 2016-08-25
	MI2D-XXPFFS-SF8001	ALTW	CHECKED BY Jinhai	DATE 2016-08-25
			APPROVED BY Jerry	DATE 2016-08-25