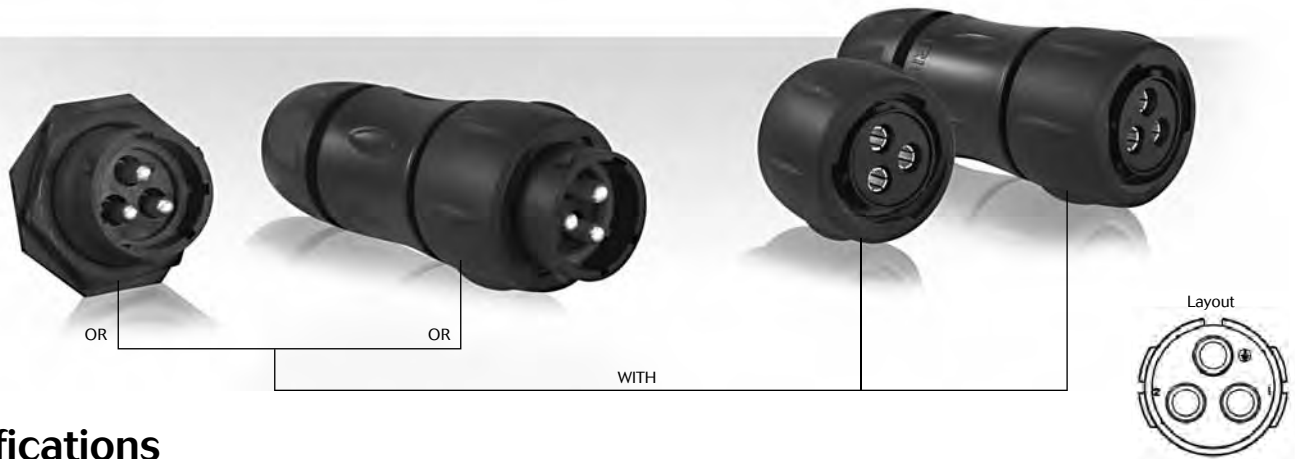


# UTS Series 142G1

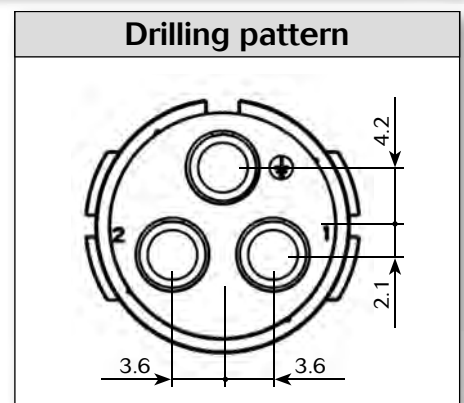
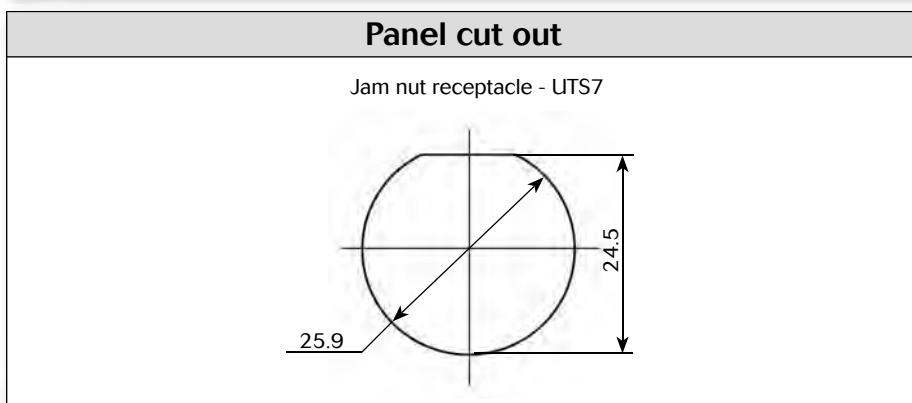
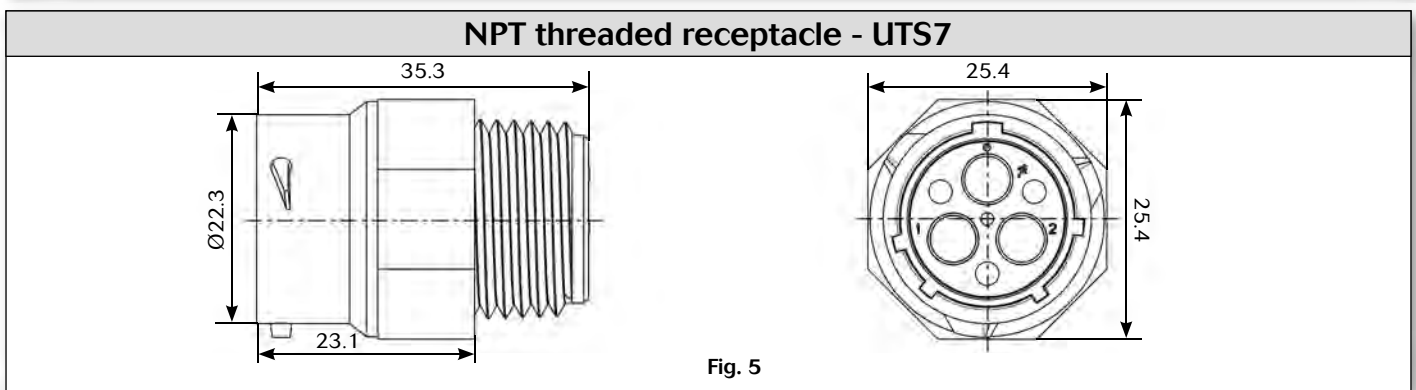
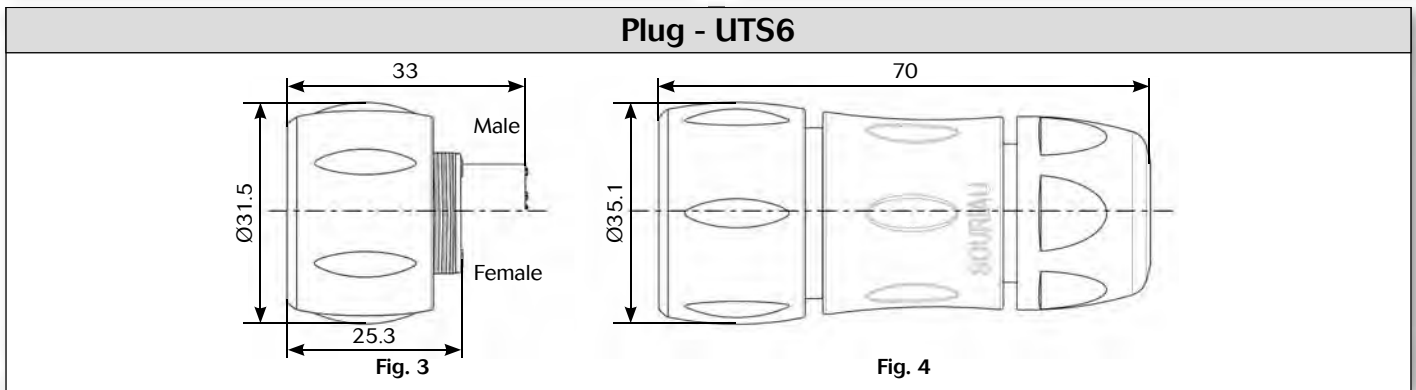
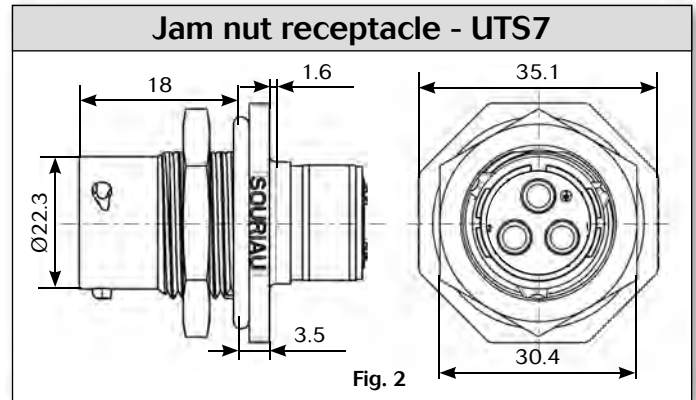
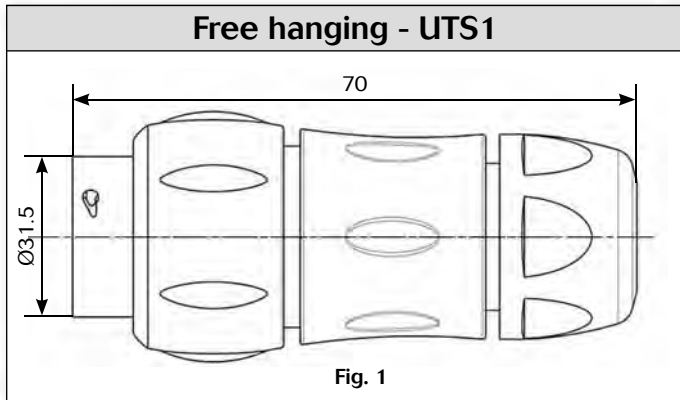


## Specifications

Contact type	Connector type	Backshell	Part number	
			Male insert	Female insert
Crimp contacts supply separately see page 35	Free hanging receptacle	Cable gland (Fig.1)	UTS1JC142G1P	UTS1JC142G1S
	Plug	Without (Fig.3)	UTS6142G1P	UTS6142G1S
		Cable gland (Fig.4)	UTS6JC142G1P	UTS6JC142G1S
	Jam nut receptacle	Without (Fig.2)	UTS7142G1P	UTS7142G1S
NPT threaded receptacle	Without (Fig.5)		UTS7142G1SNPT	





### Dimensions



Note: all dimensions are in mm



### Accessories and tooling

Jam nut sealing caps	
	
Part number	Part number
UTS14DCG	UTS14DCGR

Metal terminal

Hand tool

Part number
M317


Plug sealing cap

Part number
UTS614DCG

Positioner + locator setting




Part number
VGE10078A

Plastic protective cap	
	
Part numbers	
Receptacle cap	Plug cap
85005588A	85005597

Gasket

Part numbers / neoprene
UTFD14B

Extraction tool

Part number
51060210936

Color coding rings	
G for Green	
Y for Yellow	
R for Red	
Part numbers	
Receptacles	Plugs
UTS714CCRR	UTS614CCRR
UTS714CCRY	UTS614CCRY
UTS714CCRG	UTS614CCRG

\* Add G for Green, Y for Yellow, R for Red



2 + ground  
40A/300V  
per IEC 61984

### Contacts

#8	Contact type	AWG	Part number		Max wire Ø	Max insulator Ø
			Male	Female		
Crimp	Machined	16	82913601A <sup>(1)</sup>	82913600A <sup>(1)</sup>	-	6.5
		14	82913603A <sup>(1)</sup>	82913602A <sup>(1)</sup>	-	
		12	82913605A <sup>(1)</sup>	82913604A <sup>(1)</sup>	-	
		10	82913607A <sup>(1)</sup>	82913606A <sup>(1)</sup>	-	
		8	82913609A <sup>(1)</sup>	82913608A <sup>(1)</sup>	-	

(1): Example of plating, for other plating see page 143

Electrical characteristics
<p><b>UL</b> 44A 600V UL94 V-0</p> <p><b>CSA</b> 30A 600V UL94 V-0</p> <p><b>IEC</b> 40A 300V 4kV 3</p>

