

GN 1132 | Fastening bushings

for GN 1130 lifting lock pins, stainless steel



- 1
- 2
- 3
- 4
- 5
- 6
- 7
- 8
- 9
- 10
- 11
- 12
- 13
- 14
- 15
- 16
- 17
- 18

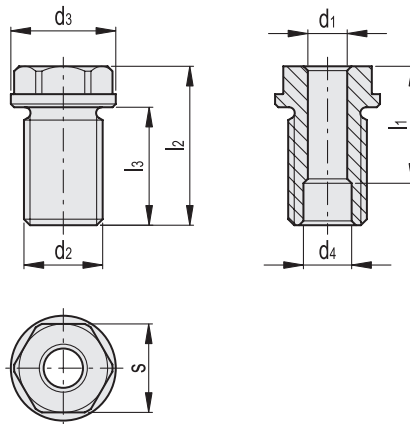
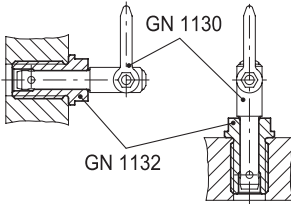
MATERIAL

AISI 630 hardened stainless steel.

FEATURES AND APPLICATIONS

GN 1132 fastening bushings are used together with lifting lock pins GN 1130 (see page 970).

The l₁ bushing dimension should be equal to the l₁ lifting pin length in order to ensure the load specifications indicated in table GN 1130 (see page 970) corresponding to the x value (insertion length).



Code	Description	d1	d2	d3	d4 +0.3	l1	l2	l3	s	Max. torque [Nm]	⚖️
GN.70601	GN 1132-8-10-M16X1,5-A	8	M16x1.5	24	9.8	10	27.5	20	19	90	32
GN.70606	GN 1132-8-25-M16-A	8	M16	24	9.8	25	37.5	25	19	75	46
GN.70611	GN 1132-10-15-M20X1,5-A	10	M20x1.5	28	12.2	15	35.5	24	24	145	70
GN.70616	GN 1132-10-35-M20-A	10	M20	28	12.2	35	46	29	24	130	92
GN.70621	GN 1132-12-15-M24X1,5-A	12	M24x1.5	32	14.7	15	35.5	24	27	220	94
GN.70626	GN 1132-12-35-M24-A	12	M24	32	14.7	35	48.5	36	27	200	118
GN.70631	GN 1132-16-25-M30X2-A	16	M30x2	39	19.2	25	44	29	30	440	163
GN.70636	GN 1132-16-50-M30-A	16	M30	39	19.2	50	66	44	30	400	235
GN.70641	GN 1132-20-50-M36X2-A	20	M36x2	43	26	50	70	55	36	440	260

Machine elements