



Overhead Suspension CPK

Assembly instructions
Montageanleitung

EN

English

Translation of the original instructions

DE

Deutsch

Originalbetriebsanleitung

Table of contents

1	Notes for the user	4
1.1	Area of application	4
1.2	Warranty	4
1.3	Manufacturer contact data	4
1.4	Information about these Operating Instructions	4
1.5	Copyright and intellectual property rights	4
1.5.1	Markings and symbols used.	4
1.6	Retention and dissemination of these instructions	4
1.7	Target group of these instructions	4
1.8	Applicable documents.	4
1.9	General information	4
2	Safety instructions	5
2.1	Presentation and structure of warnings	5
2.2	Classification of the precautionary notices	5
2.3	General power tool safety instructions.	5
2.4	Basic safety instructions.	5
2.4.1	Cleanliness at the workplace	5
2.4.2	Spare parts and accessories	5
2.5	Intended use	6
2.6	Misuse	6
2.7	Obligations of the operating company.	6
2.8	Personnel qualification	6
2.8.1	Specialist personnel for operation	6
2.8.2	Specialist personnel for maintenance and servicing.	6
2.8.3	Authorised person for low-voltage electrical equipment	6
2.8.4	Authorised specialist for repair and testing.	6
3	Design and function	7
3.1	Design.	7
3.2	Scope of supply.	7
3.3	Function	7
4	Transport and storage	7
5	Assembly and commissioning	7
5.1	Required assembly tool	8
5.2	Installing overhead suspension	8
5.3	Suitable workplace	9
5.4	Installing overhead suspension at workplace	9
5.5	Inserting the tool.	9
5.5.1	Adjusting balancer (rope pull)	10
5.6	Installing power pack with control box	10
5.7	Connecting tool and power pack	10
5.8	Inserting the cable-tie reel	11
5.9	Commissioning before each use	11
5.9.1	Check before operation.	11
5.9.2	Check after operation	11
6	Operation	11
6.1	Switching tool on and off	11
6.2	Inserting cable-tie strip into tool	11
6.3	Move tool to operating position	11
6.4	Operating tool.	11
6.5	Emptying waste box	11
6.6	Taking tool out of operating position.	11
6.7	Exchanging empty cable-tie reel	12
7	Troubleshooting	12
8	Maintenance	12
8.1	Cleaning	12
8.1.1	Cleaning overhead suspension	12
8.2	Maintenance.	12
8.2.1	Important notes	12
8.2.2	General maintenance activities	13
8.3	Repair	13
9	Taking out of service	13
9.1	Taking overhead suspension out of operation	13
9.2	Putting overhead suspension back into operation.	13
10	Disposal	13
11	Technical data	14
11.1	Dimensions	14
11.2	Working area	15
11.3	Weight	15
12	Customer service and spare parts	15

1 Notes for the user

These operating instructions are essential for proper operation of the overhead suspension CPK. They contain important information and safety instructions that will enable you to install the product properly and utilise it correctly and economically for its intended use.

1.1 Area of application

The operating instructions are intended for skilled personnel and the operating company. The operating instructions apply exclusively to the following overhead suspension CPK, hereinafter referred to as the "overhead suspension", and the associated Autotool CPK hybrid tool, hereinafter referred to as the "tool".

TYPE	Item No.
Overhead suspension CPK	106-00050
Autotool CPK hybrid	106-60000

1.2 Warranty

The warranty is in accordance with statutory requirements. Warranty entitlement applies only in the country in which the products were originally purchased.

1.3 Manufacturer contact data

The manufacturer of the products described in these instructions is:

HellermannTyton GmbH

Grosser Moorweg 45
D-25436 Tornesch, Germany
Tel. +49 4122 701-0

www.HellermannTyton.de

Info@HellermannTyton.de

1.4 Information about these Operating Instructions

Last change: 27.3.2023

1.5 Copyright and intellectual property rights

The manufacturer retains the copyright to these instructions. Under no circumstances may these instructions be reproduced or electronically processed, replicated or disseminated, in whole or in part, without the prior written consent of HellermannTyton GmbH (hereinafter referred to as HellermannTyton).

Any breach or infringement of these stipulations will result in liability for damages.

1.5.1 Markings and symbols used

Various markings and symbols are used in the text of these operating instructions. These are explained below:

► Indicates an instruction

• Indicates a list

1 Step, beginning

2 Step, following

☑ Indicates the result of an action

→ *This text highlight* is used for cross-references.



Texts accompanied by this symbol contain information about environmental protection.



Texts accompanied by this symbol contain useful additional information.

1.6 Retention and dissemination of these instructions

These operating instructions must be kept in the immediate vicinity of the workplace and must be available at all times to all operating personnel. The operating company shall inform the operating personnel of the location of these instructions. The operating company shall obtain replacement from the manufacturer if these instructions are, become or are rendered no longer easily legible.

If the products are acquired by or sold on to a third party the following documents must be handed over to the new owner:

- These instructions
- Documents relating to repair work
- Logs of maintenance work undertaken

1.7 Target group of these instructions

These instructions must be read and complied with by every person charged with any of the following tasks:

- Installation
- Operation
- Maintenance
- Repair
- Fault rectification

1.8 Applicable documents

► Observe the operating instructions for the tool.

1.9 General information

Subject to technical modifications.

2 Safety instructions


The overhead suspension has been manufactured in accordance with the state of the art and recognised safety regulations. However, the use of the device may result in danger to life and limb of the user or third parties or in damage to the overhead suspension and other material assets.

These operating instructions contain safety instructions.

- ▶ All instructions to avoid personal injury, property damage or environmental damage must be followed.

2.1 Presentation and structure of warnings

The warnings are related to actions and are structured as follows:




 SIGNAL WORD
Type and source of the hazard. Explanation of the type and source of the danger.
▶ Measures to avert the danger.

2.2 Classification of the precautionary notices


Warnings in these operating instructions draw attention to hazards associated with use of the overhead suspension and tool and indicate how they can be avoided.


Non-compliance of any nature whatsoever can lead to accidents with fatal consequences, injury or damage to property.

The warnings are graded according to the severity of their danger. The danger levels are explained below with the associated signal words and warning symbols.

 DANGER
Immediate danger to life or serious injury.
 WARNING
Possible danger to life or serious injury.
 CAUTION
Possible minor injuries.
NOTE
Possible damage to the overhead suspension, the tool, the bundled material or the environment.

2.3 General power tool safety instructions

-  The safety instructions in the operating instructions for the tool also apply to operation of the tool after installation in the overhead suspension.

 WARNING
Risk of serious injury due to non-observance of applicable safety instructions! Failure to comply with the safety instructions in these operating instructions and/or in the documents that apply with it can lead to serious injuries, fire and electric shock.
<ul style="list-style-type: none"> ▶ Observe all safety instructions and their measures to prevent danger. ▶ Observe the operating instructions for the tool. ▶ Observe the safety instructions for the CPK CAS 18V/24h battery and the CPK battery charger. ▶ Disconnect the tool and the power pack from the power supply before installation, cleaning and maintenance.

2.4 Basic safety instructions

2.4.1 Cleanliness at the workplace

Orderliness, good lighting and cleanliness at the workplace all help to make work easier and to minimise hazards and the risk of injury.

Always comply with the following principles of orderliness and cleanliness at the workplace:

- ▶ Put tools away as soon as they are no longer needed.
- ▶ Avoid tripping hazards (e.g. immediately dispose of waste by placing it in the containers provided for the purpose).
- ▶ Immediately remove spillages of grease, oil and other liquids.

2.4.2 Spare parts and accessories

Only original spare parts and accessories ensure correct function and minimize the dangers and risk of injury.

Always comply with the following principles for spare parts and accessories:

- ▶ Only use original spare parts.
- ▶ Check replaced components for proper function.
- ▶ Use only accessories approved by HellermannTyton.

2.5 Intended use

Use the overhead suspension only when it is in full working order and safe, always be safety-conscious and aware of the hazards.

The overhead suspension with integrated tool is suitable for and intended for the following uses:

- Automatic binding of bundles up to a diameter of max. 20 mm
- For indoor use only
- Industrial use

2.6 Misuse

Use other than that stated in the section entitled "Intended use" is misuse. The operating company responsible for use of the overhead suspension bears sole responsibility for injury and damage resulting from misuse.

Also applicable are the safety regulations for the tool
→ *operating instructions of the tool*

The following are specifically prohibited:

- Use with faulty parts
- Use in explosive environments or in the presence of a fire hazard
- Use outdoors
- Use in high humidity and/or direct sunlight
- Manipulation while processes are in progress
- Unauthorised alterations and modifications to the overhead suspension or the tool and its component parts without the prior consent of HellermannTyton
- Use of spare parts and accessories not tested and approved beforehand by HellermannTyton
- Installation on an unsuitable ceiling, support structure and/or rail system
- Installation of non-permitted tools, objects and/or persons to the overhead suspension

2.7 Obligations of the operating company

The operating company must:

- Observe and comply with the respective nationally applicable statutory accident prevention regulations and occupational health and safety regulations.
- Provide the required protective equipment to the specialist personnel and check, maintain and replace defective parts in accordance with the regulations.

2.8 Personnel qualification

Underage persons and trainees are permitted to use the device only under the supervision of an experienced specialist and only with the express permission of the operating company.

2.9 Specialist personnel for operation

The tasks and authorisations assigned to specialist personnel for extended operation are as follows:

- Operation of the tool and the overhead suspension
- Rectification of faults or, as applicable, initiation of measures for the rectification of faults
- Cleaning of the tool and the overhead suspension

These individuals have the specialist training or practical experience that will ensure correct handling.

2.9.1 Specialist personnel for maintenance and servicing

Always have maintenance and servicing carried out by duly qualified specialist personnel. These individuals have received training that affords sufficient knowledge of the tool or the overhead suspension for them to judge when it is in safe working order.

These individuals are also familiar with the following rules and regulations:

- Applicable national health and safety regulations
- Accident prevention regulations
- Generally accepted codes of practice, regulations and standards

2.9.2 Authorised person for low-voltage electrical equipment

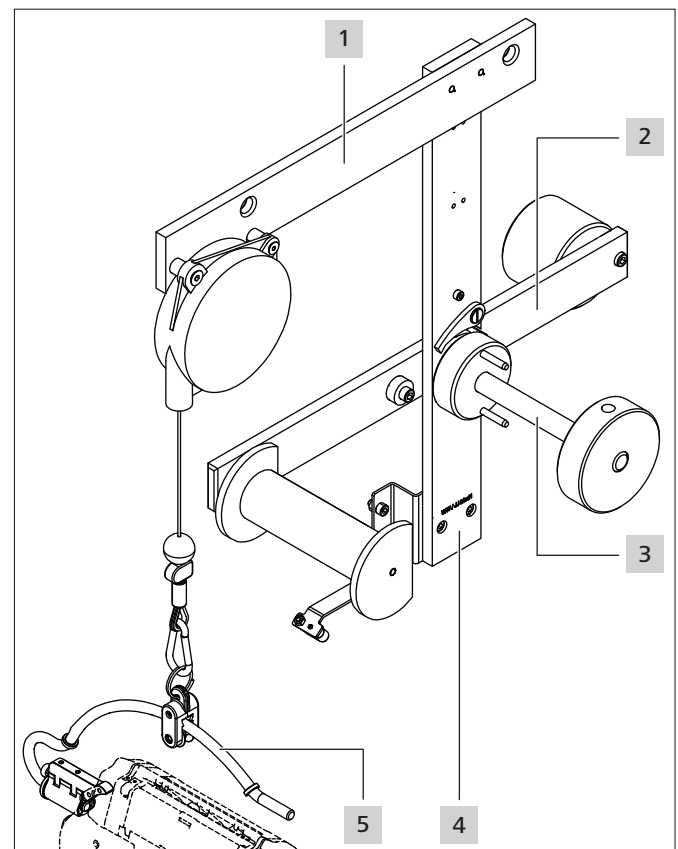
Work on the electrical supply and on parts that are live when the device is in operation should always be carried out by a trained electrician.

2.9.3 Authorised specialist for repair and testing

Only service technicians from HellermannTyton or service technicians authorised by HellermannTyton are permitted to carry out repairs and safety checks.

3 Design and function

3.1 Design



Overview of overhead suspension CPK

- 1 Balance rail with balancer (rope pull)
- 2 Cable-tie strip tensioner with relay roller and counterweight
- 3 Reel mount with locking ring
- 4 Column with power pack holder
- 5 Hanger with adapter

3.2 Scope of supply

The overhead suspension is supplied with the following components and fasteners:

- 1× balance rail with balancer (rope pull)
- 1× column with power pack holder
- 1× reel mount with locking ring
- 1× cable-tie strip tensioner with relay roller and counterweight
- 1× hanger with adapter
- 1× locking pin (adapter)
- 2× fixing screws (adapter)
- 2× fixing screws (balance rail)
- 4× fixing screws (power pack holder)
- 1× cap nut with washer
- 1× operating instructions
- ▶ Check the scope of delivery for completeness before starting assembly.

3.3 Function

The overhead suspension is used to install the tool in a suspended position at the workplace. This suspended position allows for flexible and trouble-free work with the tool at the workplace.

The tool is suspended from a balancer (rope pull) by means of a supplied hanger. The balancer compensates for the weight, making work less physically demanding for the operator during operation.

4 Transport and storage

Only proper transport and storage will help to minimize possible material damage to the overhead suspension.

Observe the following principles for transport and storage:

- ▶ Secure all moving parts.
- ▶ Only use the original packaging supplied for transport and storage.
- ▶ Store the overhead suspension in dry locations protected from splash water.
- ▶ Protect the overhead suspension from direct sunlight and extreme heat.
- ▶ Pack the electronic components (e.g. tool, power pack CPK and their cables) in a shockproof manner and store them separately from the overhead suspension.

5 Assembly and commissioning



Risk of death due to electric shock!

There is a risk of death when making contact with electrically live components.

- ▶ Only connect the tool to a properly installed and standard-compliant outlet with protective contacts.
- ▶ Observe the requirements on the voltage and amperage.
- ▶ Do not touch any live components.

WARNING

Risk of injury from falling tools and components!

Improperly assembled tools or components of the overhead suspension can fall and cause severe physical injuries (especially in the head area).

- ▶ Use personal protective equipment.
- ▶ Install all components of the overhead suspension and the tool properly.
- ▶ Only install the overhead suspension on suitable ceilings, support structures or rail systems.

CAUTION

Possible crushing hazard when jaws close!

A tool that has been switched on can be triggered unintentionally during assembly work.

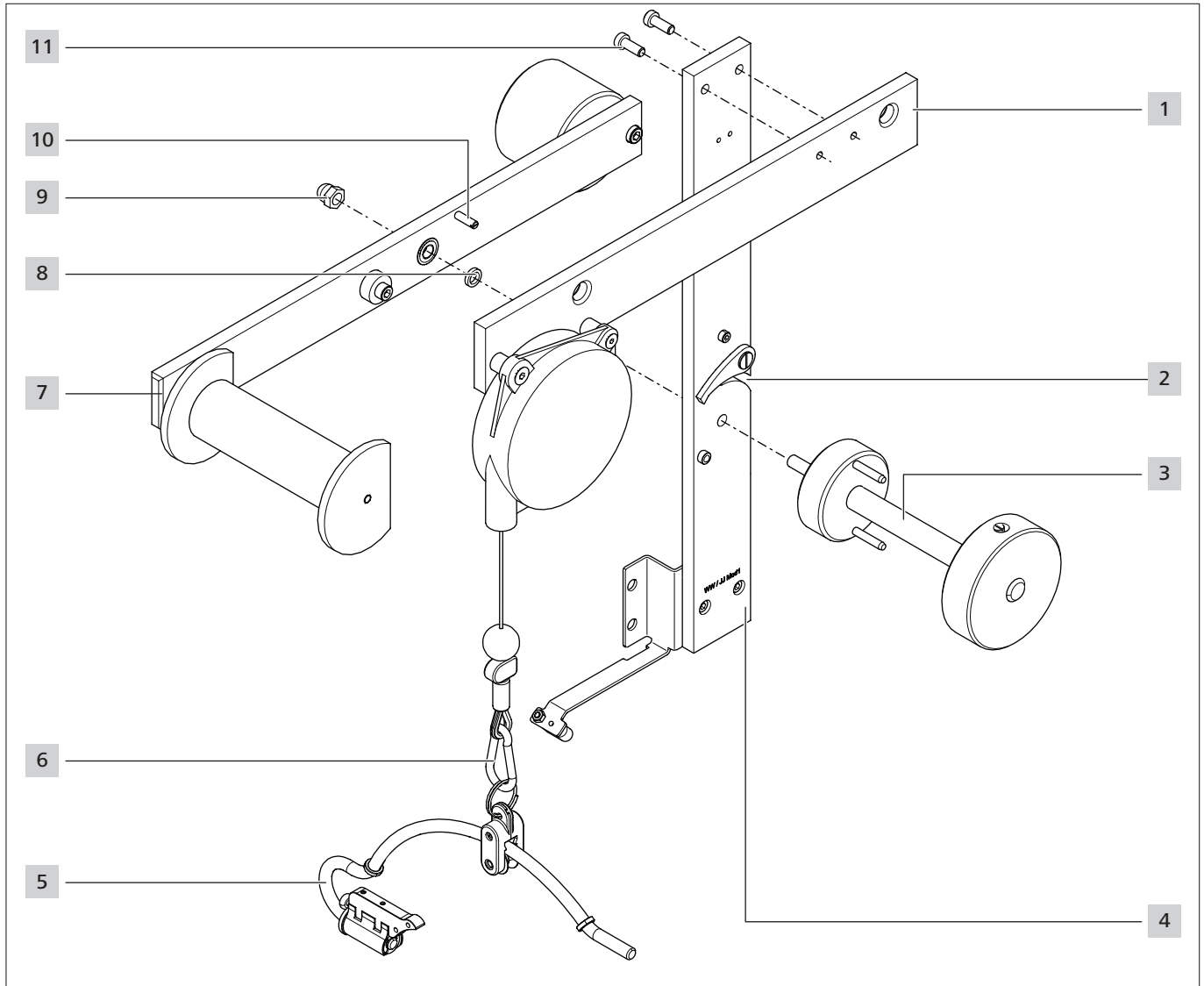
The closing jaws on the tool can cause crushing injuries.

- ▶ Always keep the power pack switched OFF while installation is in progress.

5.1 Required assembly tool

- ▶ Perform necessary assembly work with the following assembly tools:
 - Open-ended wrench (w/f 13)
 - Allen key (w/f 4)

5.2 Installing overhead suspension



1 Balance rail with balancer (rope pull)

2 Recess

3 Reel mount with locking ring

4 Column with power pack holder

5 Hanger

6 Carabiner

7 Cable-tie strip tensioner with relay roller

8 Spacer washer

9 Cap nut

10 Stud

11 Fixing screws (balance rail)

1 Install balance rail with balancer **1**.

- ▶ Set balance rail **1** onto column **4**.
- ▶ Insert two fixing screws **11** through column **4** into balance rail **1** and tighten by hand.

2 Insert reel mount with locking ring **3**.

- ▶ Slip reel mount **3** through column **4**.
- ▶ Be sure that the direction of rotation of the pinion is correct.
The pinion must be able to engage.

3 Install the cable-tie strip tensioner with relay roller and counterweight **7**.

- ▶ Slip distance washer **8** onto reel mount **3**.
- ▶ Set cable-tie strip tensioner **7** onto reel mount **3**.
- ▶ Make sure that stud **10** is positioned correctly in recess **2**.
- ▶ Insert cap nut **9** and tighten it by hand.

4 Hook hanger **5** into carabiner **6**.

- The overhead suspension is mounted.

5.3 Suitable workplace

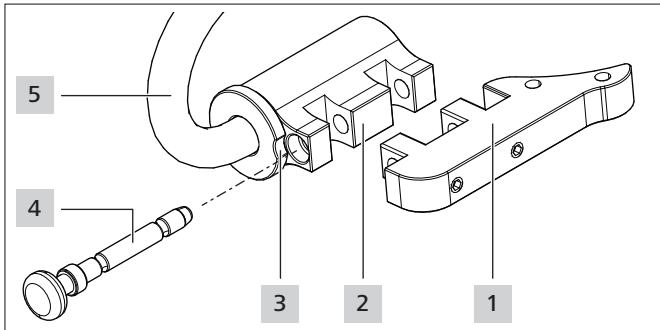
To ensure proper use of the overhead suspension, the workplace must be prepared and aligned as follows.

- ▶ The workplace must be sufficiently illuminated.
- ▶ The workplace has a suitable ceiling, support structure or rail system with an installation height of max. 280 cm.
- ▶ The overhead suspension is not obstructed by other objects, e.g. by hanging lamps, within the working area.

5.4 Installing overhead suspension at workplace

- 1 Inspect the workplace at the place of use.
 - ▶ Observe the requirements for a suitable workplace. → "Suitable workplace" on page 8
 - ▶ Observe the technical data regarding the dimensions and weights of the overhead suspension. → "Technical data" on page 14
 - 2 Install the preassembled overhead suspension CPK properly.
 - ▶ Hook a suitable suspension device in the two drill holes of the balance rail.
 - ▶ Check if the overhead suspension is in a secure position.
- The overhead suspension is installed at the workplace.

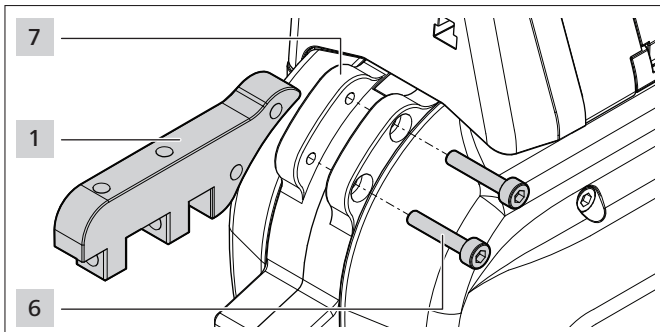
5.5 Inserting the tool



Removing adapter from hanger

- 1 Adapter
- 2 Adapter holder
- 3 Groove
- 4 Locking pin
- 5 Hanger

- 1 Remove adapter 1 from hanger 5.
 - ▶ Turn adapter 1 on hanger 5 until groove 3 in the collar clears locking pin 4.
 - ▶ Pull out locking pin 4.
 - ▶ Remove adapter 1.



Installing adapter onto tool

- 6 Fixing screws (adapter)
- 7 Tool

- 2 Slacken two fixing screws (adapter) 6 on tool 7 and remove them.
- 3 Install adapter 1 to tool 7.

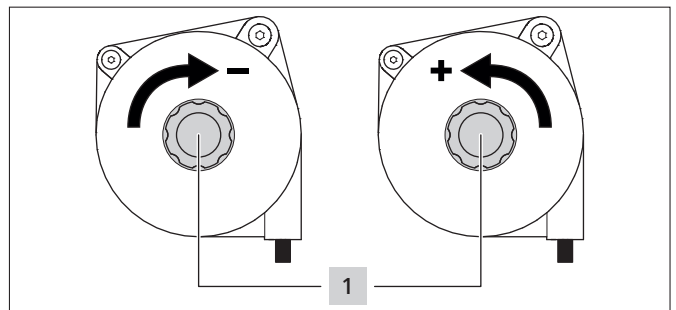
- ▶ Insert adapter 1 into tool 7.
 - ▶ Insert two fixing screws (adapter) 6 through tool 7 into adapter 1 and tighten by hand.
- 4 Install tool 7 to hanger 5.
 - ▶ Insert tool 7 with installed adapter 1 into adapter holder 2.
 - ▶ Insert locking pin 4 into groove 3 up to the stop.
 - ▶ Turn adapter 1 including tool 7 until groove 3 in the collar is closed again.

i The groove in the collar prevents the locking pin from slipping out unintentionally during operation.

The tool is inserted in the overhead suspension.

5.5.1 Adjusting balancer (rope pull)

i The tensile force of the balancer must be set so that the tool is held up by itself and can be pulled down for operation without much effort.



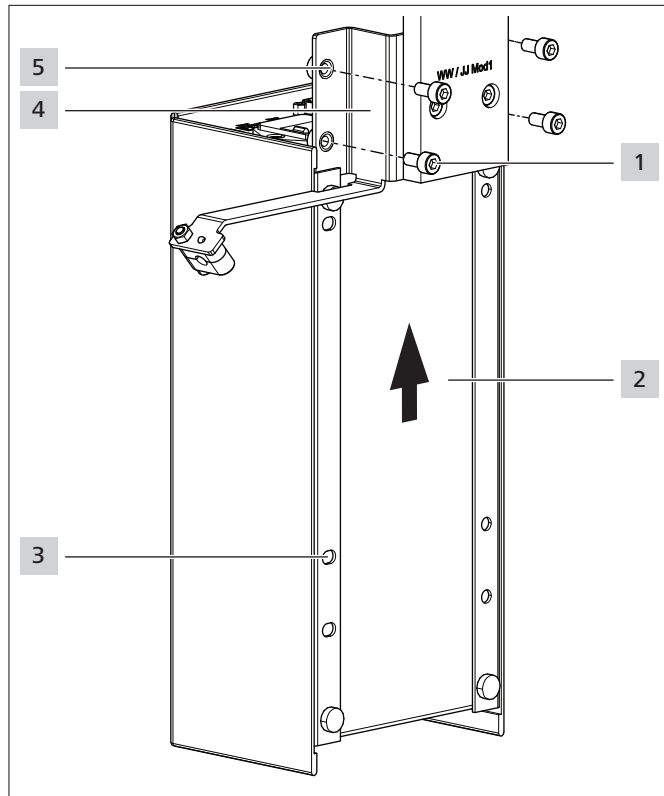
Adjusting balancer (rope pull)

- 1 Adjustment wheel

- 1 Turn adjustment wheel 1 anti-clockwise to increase the tensile force.
 - 2 Turn adjustment wheel 1 clockwise to decrease the tensile force.
- The balancer (rope pull) is adjusted.

5.6 Installing power pack with control box

i The following installation steps also apply to regular power supply units without control box.

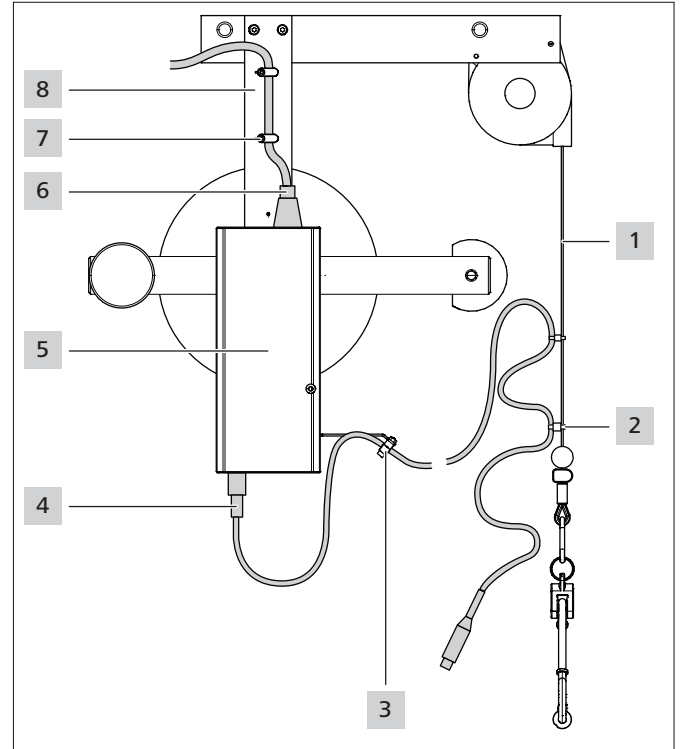


Installing the power pack with control box

- 1 Fixing screws (power pack holder)
- 2 Power pack with control box
- 3 Power pack holes
- 4 Power pack holder
- 5 Power pack holder holes

- 1 Slacken four fixing screws (power pack holder) **1** and remove them.
- 2 Install power pack with control box **2**.
 - ▶ Slide power pack with control box **2** over power pack holder **4** from below.
 - ▶ Make sure that four holes **3** on power pack with control box **2** are congruent with holes **5** on power pack **4**.
 - ▶ Insert four fixing screws (power pack holder) **1** through the holes and tighten by hand.
- The power pack with control box is installed.

5.7 Connecting tool and power pack



Connecting tool and power pack

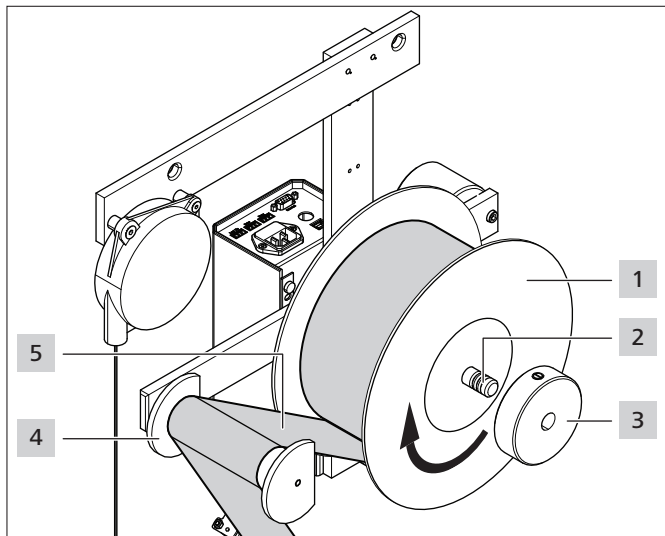
- 1 Balancer (rope pull)
- 2 Clips (balancer)
- 3 Spacer
- 4 Connecting cable
- 5 Power pack
- 6 Power cable
- 7 Clips (column)
- 8 Column

- 1 Connect power cable **6** to power pack **5**.
- 2 Fasten power cable **6** with clips **7** along column **8**.
 - ▶ Make sure that power cable **6** is laid without kinks.
- 3 Use connecting cable **4** to connect the tool to power pack **5**.
 - ▶ Observe the operating instructions for the tool.
- 4 Clamp connecting cable **4** to spacer **3** of the power pack holder and fasten using clips **2** along balancer (rope pull) **1**.
 - ▶ Make sure that connecting cable **4** is laid without kinks.

i The connecting cable between the tool and power pack with control box has to be loosely secured to the balancer to compensate for possible movements.

- The tool and the power pack are connected.

5.8 Inserting the cable-tie reel



Inserting the cable-tie reel

- 1 Cable-tie reel
- 2 Reel mount
- 3 Locking ring
- 4 Relay roller
- 5 Cable-tie strip

- 1 Pull locking ring **3** off reel mount **2**.
 - 2 Slip cable-tie reel **1** onto reel mount **2**.
 - ▶ Make sure that cable-tie reel **1** can be unwound clockwise.
 - 3 Set locking ring **3** onto reel mount **2**.
 - 4 Pass cable-tie strip **5** over relay roller **4** to the tool.
 - ▶ Make sure that the cable-tie strip **5** is not twisted.
- The cable-tie reel is inserted.

5.9 Commissioning before each use

Commissioning before each use is for safety and includes a check before and after operation.

- ▶ Check the overhead suspension for defects.
- ▶ If necessary, have any defects found rectified by maintenance personnel.
- ▶ Only operate the overhead suspension when all defects have been rectified and safety is ensured.

5.9.1 Check before operation

Perform the following steps before each operation:

- ▶ Check the power cable and the connecting cable to make sure they are correctly positioned.
- ▶ Check the unwinding direction of the cable-tie reel.
- ▶ Check the function of the balancer.

5.9.2 Check after operation

Perform the following steps after each operation:

- ▶ Clean the overhead suspension, the tool and the surrounding workplace.
- ▶ Record and report any defects found.

6 Operation

- i** The overhead suspension can only be operated together with the tool.

6.1 Switching tool on and off

- ▶ Observe the operating instructions for the tool.
 - *Operating instructions of the tool*

6.2 Inserting cable-tie strip into tool

- ▶ Observe the operating instructions for the tool.
 - *Operating instructions of the tool*

6.3 Move tool to operating position

- ▶ Grab the tool by the handle and carefully pull it over the balancer (rope pull) to the operating position.
- The tool is in operating position.

6.4 Operating tool

- ▶ Observe the operating instructions for the tool.
 - *Operating instructions of the tool*

6.5 Emptying waste box

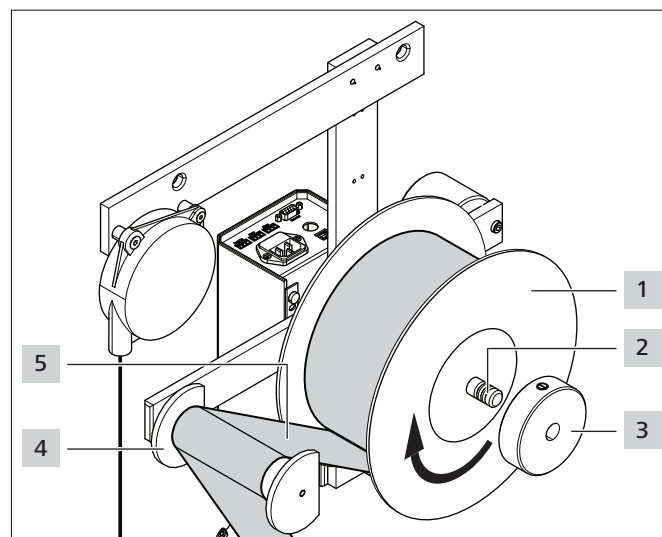
- i** The waste material drops into the integrated tool waste box.

- ▶ Empty the tool waste box regularly and dispose of waste properly.
- ▶ Observe the operating instructions for the tool.
 - *Operating instructions of the tool*

6.6 Taking tool out of operating position

- ▶ Carefully guide the tool upwards using the tensile force of the balancer (rope pull).
- The tool is in initial position.

6.7 Exchanging empty cable-tie reel



Exchanging empty cable-tie reel

- 1 Cable-tie reel
- 2 Reel mount
- 3 Locking ring
- 4 Relay roller
- 5 Cable-tie strip

- 1 Pull locking ring **3** off reel mount **2**.
 - 2 Remove empty cable-tie reel **1** from reel mount **2** and dispose of it properly.
 - 3 Slip a complete cable-tie reel **1** onto reel mount **2**.
 - ▶ Make sure that cable-tie reel **1** can be unwound clockwise.
 - 4 Set locking ring **3** onto reel mount **2**.
 - 5 Pass cable-tie strip **5** over relay roller **4** to the tool.
 - ▶ Make sure that the cable-tie strip **5** is not twisted.
- The cable-tie reel has been replaced.

7 Troubleshooting

The following overview helps to determine possible faults and their causes and to carry out measures to eliminate faults.

Malfunction	Cause	Remedy
The balancer does not hold the weight of the tool.	The rope pull in the balancer is not adjusted correctly or is defective.	<ul style="list-style-type: none"> ▶ The balancer must be correctly adjusted. → "Adjusting balancer (rope pull)" on page 9 ▶ The balancer must be replaced.
The tool cannot be pulled down.		
The tool does not work.	The wiring on the overhead suspension has come loose.	<ul style="list-style-type: none"> ▶ Properly connect and fix the cables.
The cable-tie reel cannot unwind.	The cable-tie reel is inserted in the wrong winding direction (anti-clockwise).	<ul style="list-style-type: none"> ▶ Insert the cable-tie reel in the clockwise winding direction.

8 Maintenance

⚠ DANGER

Risk of death due to electric shock!

There is a risk of death when making contact with electrically live components.

- ▶ Disconnect the power pack from the power supply before taking it out of service.
- ▶ Pull the power cable out of the socket.

8.1 Cleaning

NOTE

Possible damage to property due to unsuitable cleaning agents!

Incompatible and aggressive cleaning agents can damage surfaces or components.

- ▶ Only use cleaning agents that are compatible with the surfaces and materials of the overhead suspension, the tool, the power pack and the cables.
- ▶ Cover sensitive components to protect them.

8.1.1 Cleaning overhead suspension

- 1 Disconnect the power pack from the power supply.
 - 2 Clean dirt and foreign bodies from the overhead suspension.
- The overhead suspension is cleaned.

8.2 Maintenance

8.2.1 Important notes

Regular servicing is essential in order to ensure that the overhead suspension remains in safe working order.

8.2.2 General maintenance activities

i The operations involved in servicing the tool and the power pack are described in the operating instructions for the tool.
→ *Operating instructions of the tool, maintenance chapter*

- ▶ Check the overhead suspension regularly for correct function.
- ▶ Check the suitability of the workplace.
- ▶ Check the attached electrical cables for damage.
- ▶ Have the damaged electrical cables replaced immediately by trained maintenance personnel.

8.3 Repair

⚠ WARNING

Serious injuries due to improper repair work!

Improperly performed repair work can impair the safety of the overhead suspension and lead to serious injuries.

- ▶ Have the repair work performed only by authorised and instructed personnel.

NOTE

Property damage due to improper repair work!

Improperly performed repair work can damage the overhead suspension and lead to failure.

- ▶ Have the repair work performed only by authorised and instructed personnel.

9 Taking out of service

⚠ DANGER

Risk of death due to electric shock!

There is a risk of death when making contact with electrically live components.

- ▶ Disconnect the power pack from the power supply before taking it out of service.
- ▶ Pull the power cable out of the socket.

Taking the device out of service shuts down the overhead suspension.

9.1 Taking overhead suspension out of operation

- 1 Disconnect the power pack from the power supply.
 - 2 Remove the power cable and the connecting cable.
 - 3 Remove the tool from the hanger.
 - 4 Remove the cable-tie reel.
 - 5 Remove the overhead suspension from the ceiling, support structure and/or rail system.
 - 6 Mark the overhead suspension with a suitable sign ("out of service").
 - 7 Properly dispose of or store the overhead suspension.
→ "Disposal" on page 13
- The overhead suspension is not in operation.

9.2 Putting overhead suspension back into operation

- 1 Check the overhead suspension for completeness.
 - 2 Check the overhead suspension regularly to make sure it is working correctly.
 - 3 Remove the "out of service" marking.
 - 4 Install the overhead suspension at a suitable workplace. → "Installing overhead suspension at workplace" on page 9
 - 5 Install the power pack with control box.
→ "Installing power pack with control box" on page 10
 - 6 Insert the tool.
→ "Inserting the tool" on page 9
- The overhead suspension is back in operation.

10 Disposal

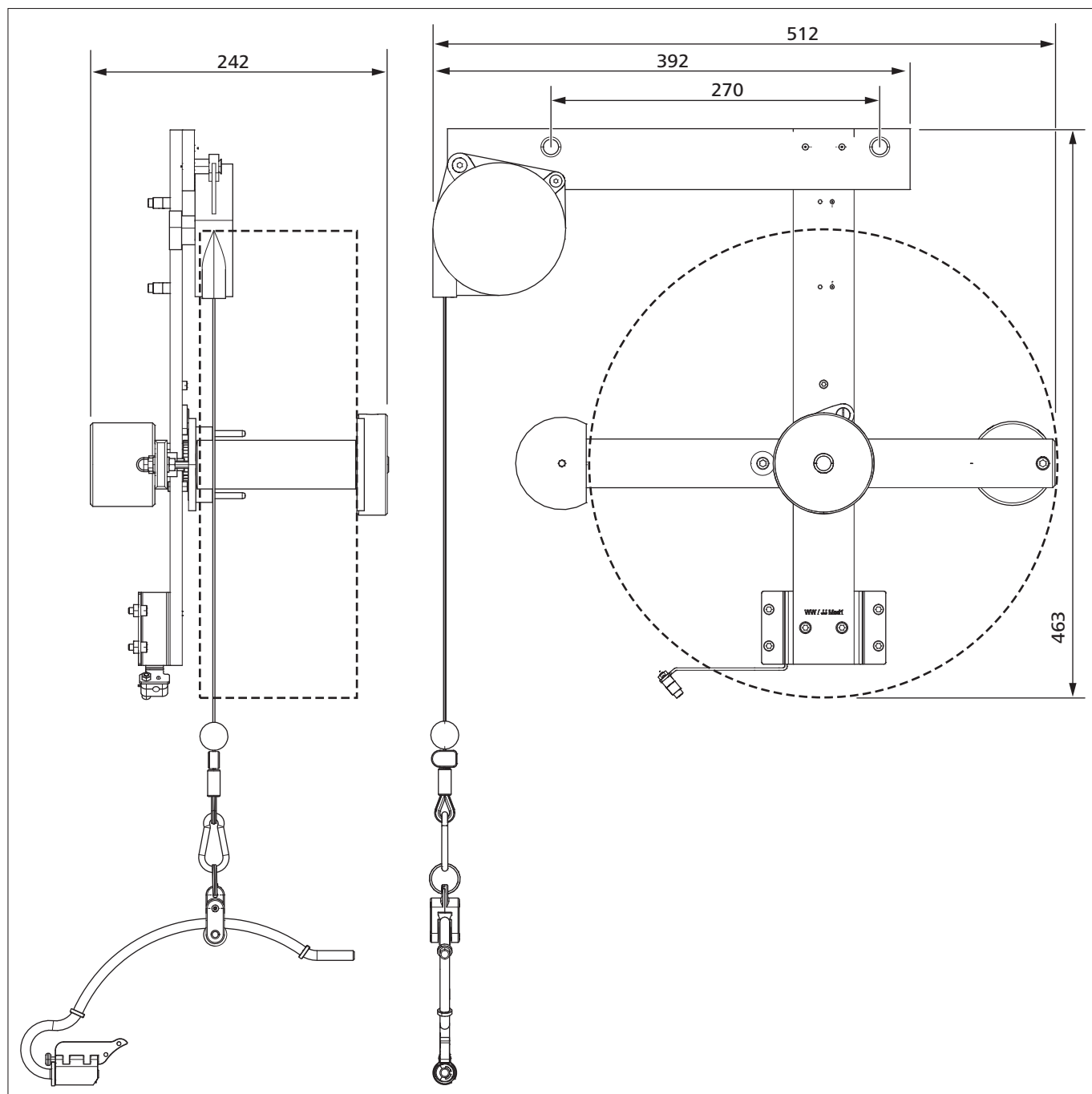
The operating company is under obligation to ensure that, at the end of its useful life, the overhead suspension and the components are disposed of in accordance with the applicable regulations. End-of-life (EOL) disposal of the overhead suspension and individual components and the disposal of consumables and auxiliaries are subject in part to statutory regulations.

The appropriate local authorities will provide detailed information on request.

- ▶ Always dispose of packaging materials in accordance with the currently valid materials-disposal and environmental protection regulations.
- ▶ Always take materials, production waste and consumables for disposal to certified collection points.
- ▶ Contact the manufacturer for advice if there is any lack of clarity regarding disposal.

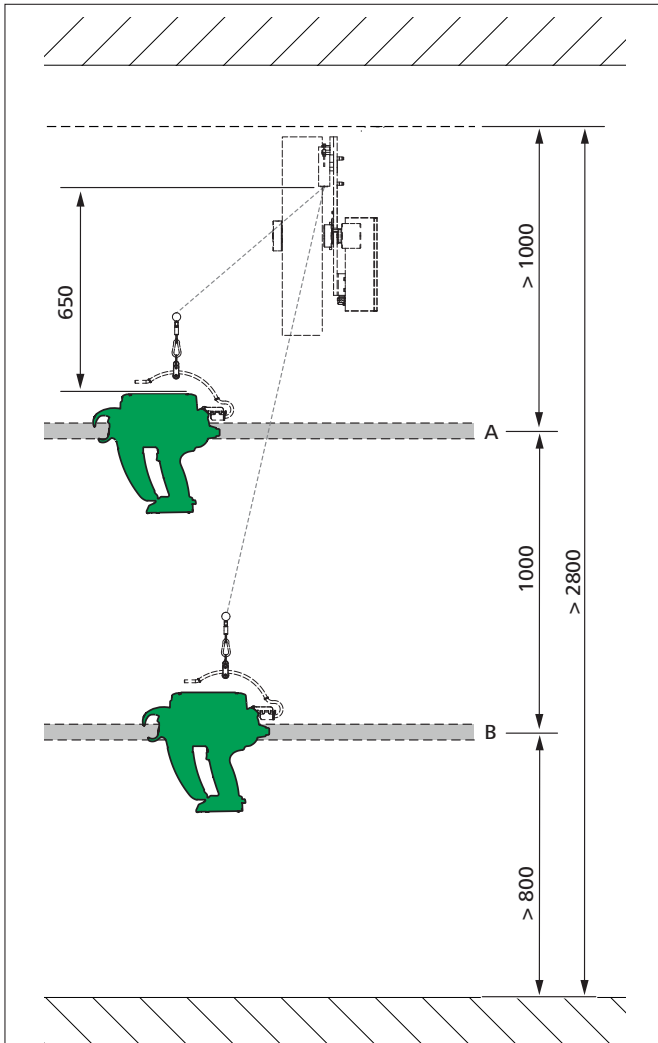
11 Technical data

11.1 Dimensions



Dimensions of overhead suspension CPK (all specifications in mm)

11.2 Working area



Working area (example)

i The drawing is not to scale.
All specifications are only recommendations of the manufacturer.

11.3 Weight

Weight of overhead suspension	3.88 kg
Weight of overhead suspension with cable-tie reel	5.64 kg
Weight of overhead suspension with cable-tie reel and tool	7.20 kg

12 Customer service and spare parts

If you have any questions or suggestions, please contact HellermannTyton. The contact details are listed at the end of this documentation.

Inhaltsverzeichnis

1	Benutzerhinweise	17
1.1	Geltungsbereich	17
1.2	Gewährleistung	17
1.3	Kontaktdaten Hersteller	17
1.4	Angaben zur Betriebsanleitung	17
1.5	Urheber- und Schutzrechte	17
1.5.1	Verwendete Kennzeichnungen und Symbole	17
1.6	Aufbewahrung und Weitergabe der Anleitung	17
1.7	Zielgruppe der Anleitung	17
1.8	Mitgeltende Unterlagen	17
1.9	Allgemeine Angaben	17
2	Sicherheitshinweise	18
2.1	Darstellung und Aufbau von Warnhinweisen	18
2.2	Klassifizierung der Warnhinweise	18
2.3	Allgemeine Sicherheitshinweise für Elektrowerkzeuge	18
2.4	Grundsätzliche Sicherheitshinweise	18
2.4.1	Sauberkeit am Arbeitsplatz	18
2.4.2	Ersatzteile und Zubehör	18
2.5	Bestimmungsgemäße Verwendung	19
2.6	Bestimmungswidrige Verwendung	19
2.7	Pflichten des Betreibers	19
2.8	Qualifikation des Personals	19
2.8.1	Fachpersonal für Bedienung	19
2.8.2	Fachpersonal für Instandhaltung und Wartung	19
2.8.3	Ausgebildete Elektrofachkraft	19
2.8.4	Autorisierte Sachkundige für Reparatur und Prüfung	19
3	Aufbau und Funktion	20
3.1	Aufbau	20
3.2	Lieferumfang	20
3.3	Funktion	20
4	Transport und Lagerung	20
5	Montage und Inbetriebnahme	21
5.1	Benötigtes Montagewerkzeug	21
5.2	Hängevorrichtung montieren	22
5.3	Geeigneter Arbeitsplatz	22
5.4	Hängevorrichtung am Arbeitsplatz installieren	23
5.5	Werkzeug einsetzen	23
5.5.1	Balancer (Seilzug) justieren	23
5.6	Netzgerät mit Steuerbox montieren	23
5.7	Werkzeug und Netzgerät anschließen	24
5.8	Kabelbinderspule einsetzen	25
5.9	Inbetriebnahme vor jeder Benutzung	25
5.9.1	Kontrolle vor der Bedienung	25
5.9.2	Kontrolle nach der Bedienung	25
6	Bedienung	25
6.1	Werkzeug ein- und ausschalten	25
6.2	Bandkette in das Werkzeug einführen	25
6.3	Werkzeug in Arbeitsposition bringen	25
6.4	Werkzeug bedienen	25
6.5	Abfallbox entleeren	25
6.6	Werkzeug aus der Arbeitsposition entfernen	25
6.7	Leere Kabelbinderspule austauschen	26
7	Fehlerbehebung	26
8	Instandhaltung	26
8.1	Reinigung	26
8.1.1	Hängevorrichtung reinigen	26
8.2	Wartung	27
8.2.1	Wichtige Hinweise	27
8.2.2	Allgemeine Wartungsmaßnahmen	27
8.3	Instandsetzung	27
9	Außerbetriebnahme	27
9.1	Hängevorrichtung außer Betrieb nehmen	27
9.2	Hängevorrichtung wieder in Betrieb nehmen	27
10	Entsorgung	27
11	Technische Daten	28
11.1	Maße	28
11.2	Arbeitsbereich	29
11.3	Gewicht	29
12	Kundenservice und Ersatzteile	29

1 Benutzerhinweise

Diese Betriebsanleitung ist eine wesentliche Hilfe für den ordnungsgemäßen Betrieb der Hängevorrichtung CPK. Sie enthält wichtige Informationen und Sicherheitshinweise, um die Produkte sachgerecht aufzustellen, sowie bestimmungsgemäß und wirtschaftlich zu betreiben.

1.1 Geltungsbereich

Die Betriebsanleitung richtet sich an Fachkräfte und den Betreiber. Die Betriebsanleitung gilt ausschließlich für die folgende Hängevorrichtung CPK, im Folgenden „Hängevorrichtung“ genannt und das dazu gehörige Werkzeug Autotool CPK hybrid, im Folgenden „Werkzeug“ genannt.

TYP	Art.-Nr.
Hängevorrichtung CPK	106-00050
Autotool CPK hybrid	106-60000

1.2 Gewährleistung

Die Gewährleistung entspricht den gesetzlichen Bestimmungen. Der Gewährleistungsanspruch gilt nur für das Land, in dem die Produkte erworben wurden.

1.3 Kontaktdaten Hersteller

Der Hersteller der in vorliegender Anleitung beschriebenen Produkte ist:

HellermannTyton GmbH

Großer Moorweg 45

D-25436 Tornesch

Tel. +49 4122 701-0

www.HellermannTyton.de

Info@HellermannTyton.de

1.4 Angaben zur Betriebsanleitung

Letzte Änderung: 27.3.2023

1.5 Urheber- und Schutzrechte

Das Urheberrecht dieser Anleitung verbleibt beim Hersteller. Kein Teil dieser Anleitung darf in irgendeiner Form ohne die schriftliche Genehmigung der HellermannTyton GmbH (nachfolgend HellermannTyton genannt) reproduziert oder unter Verwendung elektronischer Systeme verarbeitet, vervielfältigt oder verbreitet werden.

Handlungen, die den o.g. Angaben widersprechen, verpflichten zu Schadensersatz.

1.5.1 Verwendete Kennzeichnungen und Symbole

In dieser Betriebsanleitung werden im Text unterschiedliche Kennzeichnungen und Symbole verwendet. Diese sind nachfolgend erläutert:

- ▶ Kennzeichnung für eine Anweisung
- Kennzeichnung für eine Aufzählung
- 1 Handlungsschritt Beginn
- 2 Handlungsschritt folgend
- ☑ Handlungsergebnis

Text, der → *auf diese Weise hervorgehoben ist*, kennzeichnet Querverweise.



Texte mit diesem Symbol enthalten Hinweise zum Umweltschutz.



Texte mit diesem Symbol enthalten zusätzliche Informationen.

1.6 Aufbewahrung und Weitergabe der Anleitung

Diese Betriebsanleitung muss in unmittelbarer Nähe des Arbeitsplatzes aufbewahrt werden und dem gesamten Personal jederzeit zur Verfügung stehen. Der Betreiber muss das Personal über den Aufbewahrungsort dieser Anleitung informieren. Wenn die Anleitung nicht mehr gut lesbar ist, muss der Betreiber beim Hersteller Ersatz beschaffen.

Bei Übergabe oder Weiterverkauf der Produkte an Dritte müssen folgende Dokumente an den neuen Besitzer weitergegeben werden:

- diese Anleitung
- Unterlagen über Reparaturarbeiten
- Nachweise über Wartungsarbeiten

1.7 Zielgruppe der Anleitung

Die Anleitung muss von jeder Person gelesen und beachtet werden, die mit einer der folgenden Arbeiten betraut ist:

- Montage
- Betrieb
- Wartung
- Reparatur
- Störungsbeseitigung

1.8 Mitgeltende Unterlagen

- ▶ Die Betriebsanleitung des Werkzeugs beachten.

1.9 Allgemeine Angaben

Technische Änderungen vorbehalten.

2 Sicherheitshinweise


Die Hängevorrichtung ist nach dem Stand der Technik und den anerkannten sicherheitstechnischen Regeln gefertigt. Dennoch können bei der Verwendung Gefahren für Leib und Leben des Benutzers oder Dritter bzw. Beeinträchtigungen der Hängevorrichtung und anderer Sachwerte entstehen.

Die vorliegende Betriebsanleitung beinhaltet Anweisungen zur Sicherheit.

- ▶ Alle Anweisungen um Personen-, Sach- oder Umweltschäden zu vermeiden müssen befolgt werden.

2.1 Darstellung und Aufbau von Warnhinweisen

Die Warnhinweise sind handlungsbezogen und wie folgt aufgebaut:




 SIGNALWORT
Art und Quelle der Gefahr! Erläuterung zur Art und Quelle der Gefahr. ▶ Maßnahmen zur Abwendung der Gefahr.

2.2 Klassifizierung der Warnhinweise


Warnhinweise in der Betriebsanleitung warnen vor Gefahren im Umgang mit der Hängevorrichtung und dem Werkzeug und geben Hinweise zu deren Vermeidung.


Jede Nichtbeachtung kann Unfälle mit tödlichem Ausgang, Verletzungen oder Sachschäden zur Folge haben.

Die Warnhinweise sind hinsichtlich der Schwere ihrer Gefahr abgestuft. Nachfolgend sind die Gefahrenstufen mit den dazugehörigen Signalwörtern und Warnsymbolen erläutert.

 GEFAHR
Unmittelbare Lebensgefahr oder schwere Verletzungen.
 WARNUNG
Mögliche Lebensgefahr oder schwere Verletzungen.
 VORSICHT
Mögliche leichte Verletzungen.
HINWEIS
Mögliche Schäden an der Hängevorrichtung, dem Werkzeug, dem Bündelgut oder in der Umgebung.

2.3 Allgemeine Sicherheitshinweise für Elektrowerkzeuge

-  Die Sicherheitshinweise in der Betriebsanleitung des Werkzeugs gelten auch für den Betrieb des Werkzeugs nach der Montage in die Hängevorrichtung.

 WARNUNG
Schwere Verletzungsgefahr durch Missachtung geltender Sicherheitshinweise! Missachtung der Sicherheitshinweise in dieser Betriebsanleitung und/oder in den mit geltenden Unterlagen können zu schweren Verletzungen, Brand und Stromschlag führen.
<ul style="list-style-type: none"> ▶ Alle Sicherheitshinweise und deren Maßnahmen zur Abwendung der Gefahr beachten. ▶ Die Betriebsanleitung des Werkzeugs beachten. ▶ Die Sicherheitshinweise für den CPK CAS Akku 18V/24h und das CPK CAS Akku-Ladegerät beachten. ▶ Vor Montagearbeiten, Reinigung und Wartung das Werkzeug und das Netzgerät spannungsfrei schalten.

2.4 Grundsätzliche Sicherheitshinweise

2.4.1 Sauberkeit am Arbeitsplatz

Ordnung, gute Beleuchtung und Sauberkeit am Arbeitsplatz erleichtern das Arbeiten, minimieren die Gefahren und das Verletzungsrisiko.

Die folgenden Grundsätze zur Ordnung und Sauberkeit am Arbeitsplatz einhalten:

- ▶ Nicht mehr benötigtes Werkzeug wegräumen.
- ▶ Stolperstellen vermeiden (z. B. Abfälle sofort in dafür vorgesehene Behälter werfen).
- ▶ Verunreinigungen durch Fette, Öle und andere Flüssigkeiten sofort beseitigen.

2.4.2 Ersatzteile und Zubehör

Nur Original-Ersatzteile und Zubehör gewährleisten die korrekte Funktion und minimieren die Gefahren und das Verletzungsrisiko.

Die folgenden Grundsätze zu Ersatzteilen und Zubehör einhalten:

- ▶ Ausschließlich Original-Ersatzteile verwendet werden.
- ▶ Ersetzte Bauteile auf deren Funktion überprüfen.
- ▶ Ausschließlich Zubehör verwenden, das von HellermannTyton freigegeben ist.

2.5 Bestimmungsgemäße Verwendung

Die Hängevorrichtung nur in einwandfreiem und sicherem Zustand, sicherheitsbewusst und gefahrenbewusst betreiben.

Die Hängevorrichtung ist mit integriertem Werkzeug für folgende Einsätze geeignet und bestimmt:

- Automatisches Abbinden am Bündelgut bis max. 20 mm Durchmesser
- Gebrauch ausschließlich für den Innenbereich
- Industrieller Gebrauch

2.6 Bestimmungswidrige Verwendung

Jegliche Benutzung, die nicht im Abschnitt „Bestimmungsgemäße Verwendung“ genannt ist, gilt als bestimmungswidrig. Für hieraus resultierende Schäden haftet allein der Betreiber der Hängevorrichtung.

Darüber hinaus gelten die Sicherheitsbestimmungen des Werkzeuges

→ *Betriebsanleitung des Werkzeuges*

Insbesondere folgende Nutzung ist nicht zulässig:

- Nutzung mit defekten Teilen
- Nutzung in explosions- oder feuergefährlicher Umgebung
- Nutzung im Außenbereich
- Nutzung bei hoher Feuchtigkeit und/oder direkter Sonneneinstrahlung
- Manuelle Eingriffe während der laufenden Prozesse
- Eigenmächtige Veränderungen und Modifikationen an der Hängevorrichtung oder dem Werkzeug und deren Bestandteilen ohne Zustimmung von HellermannTyton
- Einsatz von Ersatzteilen und Zubehör, welche nicht von HellermannTyton geprüft und freigegeben wurden
- Montage an eine nicht geeignete Decke, Trägerkonstruktion und/oder Schienensystem
- Montage nicht zulässiger Werkzeuge, Objekte und/oder Personen an die Hängevorrichtung

2.7 Pflichten des Betreibers

Der Betreiber muss:

- die jeweils national geltenden gesetzlichen Unfallverhütungsvorschriften und Arbeitsschutzvorschriften beachten und einhalten.
- dem Fachpersonal die erforderliche Schutzausrüstung zur Verfügung stellen und gemäß Vorschrift prüfen, pflegen und schadhafte Teile ersetzen.

2.8 Qualifikation des Personals

Minderjährige oder Personen in der Ausbildung dürfen die Arbeiten nur unter Aufsicht einer erfahrenen Fachkraft und nach ausdrücklicher Erlaubnis des Betreibers durchführen.

2.8.1 Fachpersonal für Bedienung

Dem Fachpersonal für erweiterten Betrieb werden folgende Befugnisse und Aufgaben zugewiesen:

- Bedienung des Werkzeuges und der Hängevorrichtung
- Beseitigung von Störungen bzw. Einleiten von Maßnahmen zur Beseitigung von Störungen
- Reinigung des Werkzeuges und der Hängevorrichtung

Dieses Personal bietet aufgrund seiner fachlichen Ausbildung oder praktischen Erfahrung die Gewährleistung für eine sachgerechte Handhabung.

2.8.2 Fachpersonal für Instandhaltung und Wartung

Instandhaltung und Wartung nur durch qualifiziertes Fachpersonal durchführen lassen. Dieses Personal hat aufgrund seiner fachlichen Ausbildung ausreichende Kenntnisse über das Werkzeug oder die Hängevorrichtung und kann einen arbeitssicheren Zustand beurteilen.

Des Weiteren ist das Personal mit folgenden Regeln und Vorschriften vertraut:

- Einschlägige staatliche Arbeitsschutzvorschriften
- Unfallverhütungsvorschriften
- Allgemein anerkannte Regeln der Technik, Bestimmungen und Normen

2.8.3 Ausgebildete Elektrofachkraft

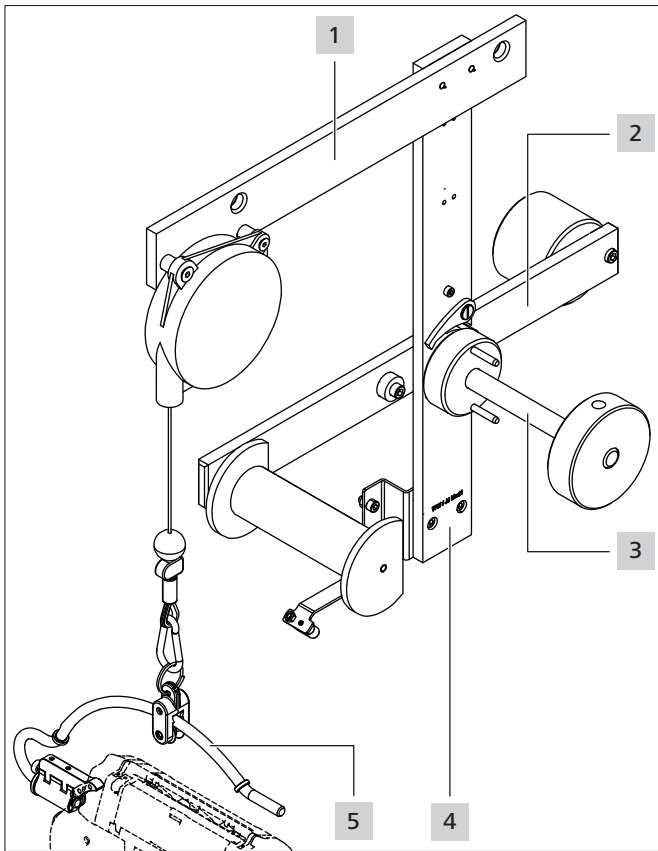
Arbeiten an der elektrischen Versorgung und an stromführenden Bauteilen nur durch eine ausgebildete Elektrofachkraft durchführen lassen.

2.8.4 Autorisierte Sachkundige für Reparatur und Prüfung

Reparaturen und sicherheitstechnische Überprüfungen dürfen nur durch einen Servicetechniker von HellermannTyton oder einem von HellermannTyton autorisierten Servicetechniker durchgeführt werden.

3 Aufbau und Funktion

3.1 Aufbau



Übersicht Hängevorrichtung CPK

- 1 Schienenläufer mit Balancer (Seilzug)
- 2 Bandkettenspanner mit Umlenkrolle und Gegengewicht
- 3 Spulenaufnahme mit Klemmring
- 4 Säule mit Netzgeräthalter
- 5 Aufhängebügel mit Adapter

3.2 Lieferumfang

Die Hängevorrichtung wird mit den folgenden Bauteilen und Befestigungselementen ausgeliefert:

- 1× Schienenläufer mit Balancer (Seilzug)
- 1× Säule mit Netzgeräthalter
- 1× Spulenaufnahme mit Klemmring
- 1× Bandkettenspanner mit Umlenkrolle und Gegengewicht
- 1× Aufhängebügel mit Adapter
- 1× Sicherungsstift (Adapter)
- 2× Befestigungsschrauben (Adapter)
- 2× Befestigungsschrauben (Schienenläufer)
- 4× Befestigungsschrauben (Netzgeräthalter)
- 1× Hutmutter samt Unterlegscheibe
- 1× Betriebsanleitung
- ▶ Den Lieferumfang vor Beginn der Montage auf Vollständigkeit überprüfen.

3.3 Funktion

Die Hängevorrichtung dient dazu das Werkzeug in einer hängenden Position am Arbeitsplatz zu montieren. Diese hängende Position ermöglicht ein flexibles und störungsfreies Arbeiten mit dem Werkzeug am Arbeitsplatz.

Das Werkzeug wird dabei über einen mitgelieferten Aufhängebügel an einen Balancer (Seilzug) eingehängt. Der Balancer sorgt für einen Gewichtsausgleich und somit eine Entlastung für den Bediener während des Einsatzes.

4 Transport und Lagerung

Nur ein ordnungsgemäßer Transport und eine ordnungsgemäße Lagerung helfen mögliche Sachschäden an der Hängevorrichtung zu minimieren. Die folgenden Grundsätze zu dem Transport und der Lagerung einhalten:

- ▶ Alle bewegliche Bauteile sichern.
- ▶ Ausschließlich die mitgelieferte Originalverpackung für den Transport und die Lagerung verwenden.
- ▶ Die Hängevorrichtung an trockenen und vor Spritzwasser geschützten Orten lagern.
- ▶ Die Hängevorrichtung vor direktem Sonnenlicht und extremer Hitze schützen.
- ▶ Die elektronischen Bauteile (z. B. Werkzeug, Netzgerät CPK und deren Kabel) stoßfest verpacken und getrennt von der Hängevorrichtung lagern.

5 Montage und Inbetriebnahme

⚠ GEFAHR

Lebensgefahr durch Stromschlag!
Bei Kontakt mit spannungsführenden Bauteilen besteht Lebensgefahr.

- ▶ Das Werkzeug nur an eine ordnungsgemäß installierte und normgerechte Steckdose mit Schutzkontakten anschließen.
- ▶ Die Anforderungen an die Spannung und die Stromstärke beachten.
- ▶ Keine spannungsführenden Bauteile berühren.

⚠ WARNUNG

Verletzungsfahr durch herunterfallende Werkzeuge und Bauteile!
Nicht ordnungsgemäß montierte Werkzeuge oder Bauteile der Hängevorrichtung können herunterfallen und schwere Körperverletzungen (vor allem im Kopfbereich) verursachen.

- ▶ Persönliche Schutzausrüstung benutzen.
- ▶ Alle Bauteile der Hängevorrichtung und das Werkzeug ordnungsgemäß montieren.
- ▶ Die Hängevorrichtung nur an geeignete Decken, Trägerkonstruktionen oder Schienensystemen montieren.

⚠ VORSICHT

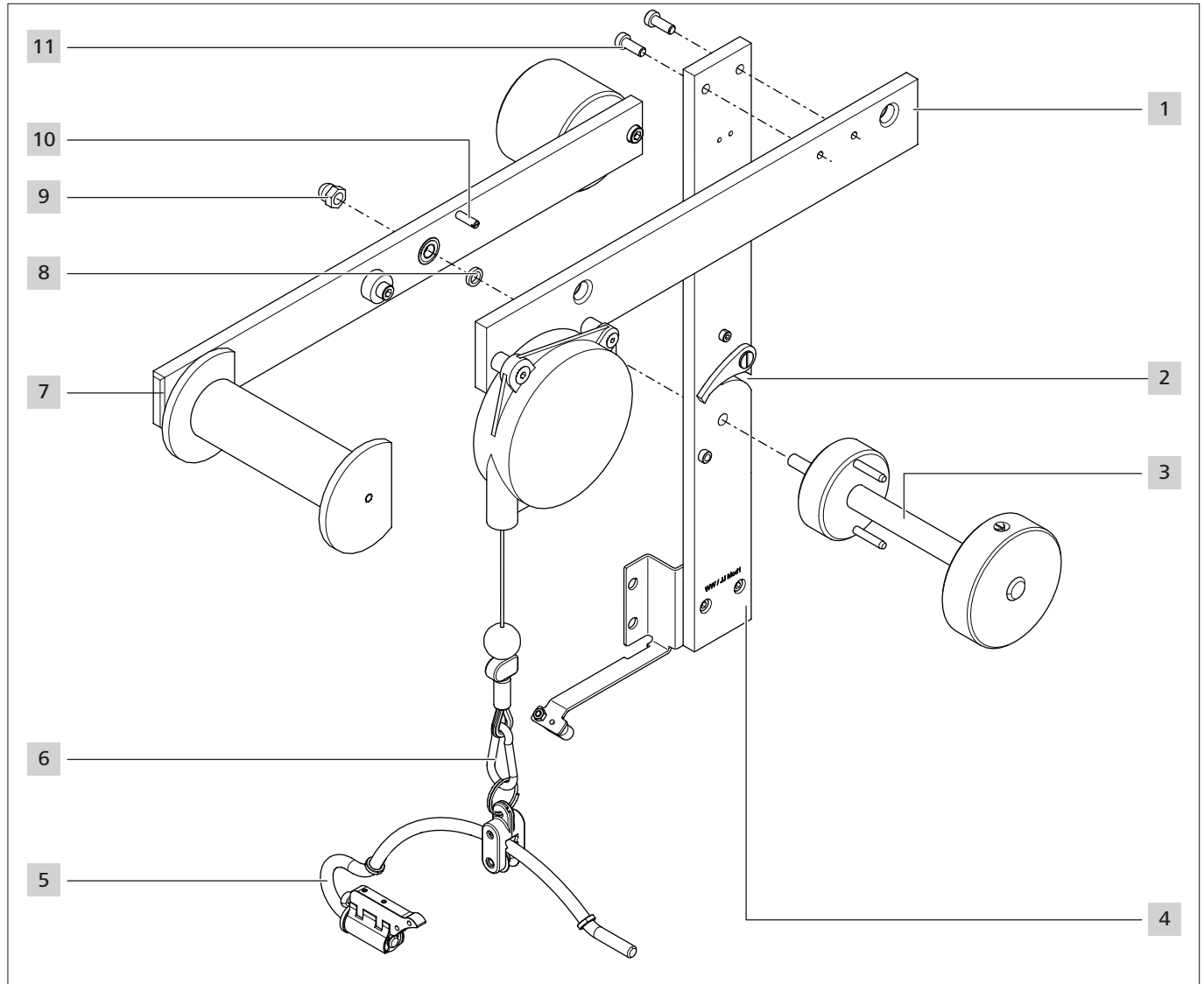
Mögliche Quetschgefahr durch schließende Zangen!
Ein eingeschaltetes Werkzeug kann bei Montagearbeiten unbeabsichtigt ausgelöst werden.
Die sich schließenden Zangen am Werkzeug können zu Quetschverletzungen führen.

- ▶ Montagearbeiten nur bei ausgeschaltetem Netzgerät durchführen.

5.1 Benötigtes Montagewerkzeug

- ▶ Nötige Montagearbeiten mit den folgenden Montagewerkzeugen durchführen:
 - Gabelschlüssel (SW 13)
 - Innensechskantschlüssel (SW 4)

5.2 Hängevorrichtung montieren



1 Schienenläufer mit Balancer (Seilzug)

2 Aussparung

3 Spulenaufnahme mit Klemmring

4 Säule mit Netzgeräthalter

5 Aufhängebügel

6 Karabiner

7 Bandkettenspanner mit Umlenkrolle

8 Distanzscheibe

9 Hutmutter

10 Bolzen

11 Befestigungsschrauben (Schienenläufer)

- 1 Den Schienenläufer mit Balancer **1** montieren.
 - ▶ Den Schienenläufer **1** auf die Säule **4** aufsetzen.
 - ▶ Die zwei Befestigungsschrauben **11** durch die Säule **4** in den Schienenläufer **1** stecken und handfest anziehen.
- 2 Die Spulenaufnahme mit Klemmring **3** einsetzen.
 - ▶ Die Spulenaufnahme **3** durch die Säule **4** stecken.
 - ▶ Auf die korrekte Drehrichtung des Ritzels achten. Das Ritzel muss einrasten können.

3 Den Bandkettenspanner mit Umlenkrolle und Gegengewicht **7** montieren.

- ▶ Die Distanzscheibe **8** auf das Spulenaufnahme **3** stecken.
- ▶ Den Bandkettenspanner **7** auf die Spulenaufnahme **3** stecken.
- ▶ Darauf achten, dass der Bolzen **10** korrekt in der Aussparung **2** sitzt.
- ▶ Die Hutmutter **9** aufsetzen und handfest anziehen.

4 Den Aufhängebügel **5** in der Karabiner **6** einhängen.

- Die Hängevorrichtung ist montiert.

5.3 Geeigneter Arbeitsplatz

Damit ein einwandfreier Einsatz der Hängevorrichtung gewährleistet ist, muss der Arbeitsplatz wie folgt vorbereitet und ausgerichtet sein.

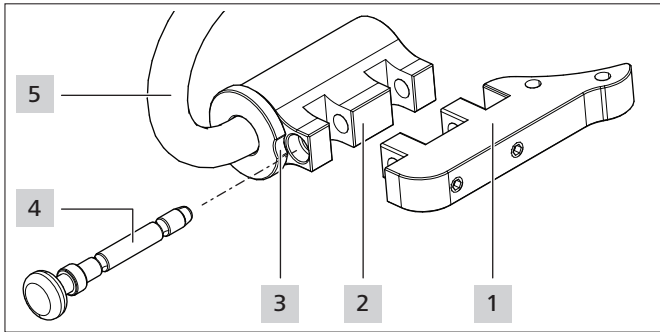
- ▶ Der Arbeitsplatz muss ausreichend beleuchtet sein.
- ▶ Der Arbeitsplatz verfügt über eine geeignete Decke, Trägerkonstruktion oder ein Schienensystem mit einer Montagehöhe von max. 280 cm.

- ▶ Die Hängevorrichtung wird nicht durch andere Objekte, z. B. durch hängende Lampen, innerhalb des Arbeitsbereiches behindert.

5.4 Hängevorrichtung am Arbeitsplatz installieren

- 1 Den Arbeitsplatz am Einsatzort überprüfen.
- ▶ Die Anforderungen an einen geeigneten Arbeitsplatz beachten. → „Geeigneter Arbeitsplatz“ auf Seite 22
- ▶ Die Technischen Daten, bzgl. der Maße und der Gewichte, der Hängevorrichtung beachten. → „Technische Daten“ auf Seite 28
- 2 Die vormontierte Hängevorrichtung CPK fachgerecht installieren.
- ▶ Eine geeignete Aufhängung in die beiden Bohrlocher des Schienenläufers einhängen.
- ▶ Die Hängevorrichtung auf festen Sitz kontrollieren.
- Die Hängevorrichtung ist am Arbeitsplatz montiert.

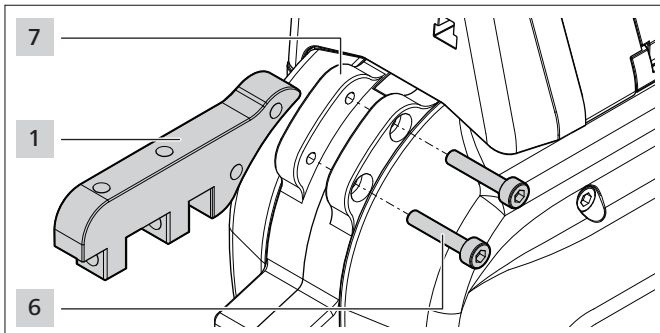
5.5 Werkzeug einsetzen



Adapter vom Aufhängebügel entfernen

- 1 Adapter
- 2 Adapteraufnahme
- 3 Nut
- 4 Sicherungsstift
- 5 Aufhängebügel

- 1 Den Adapter **1** vom Aufhängebügel **5** entfernen.
- ▶ Den Adapter **1** am Aufhängebügel **5** drehen, bis die Nut **3** am Bund den Sicherungsstift **4** freigibt.
- ▶ Den Sicherungsstift **4** herausziehen.
- ▶ Den Adapter **1** entfernen.



Adapter an das Werkzeug montieren

- 6 Befestigungsschrauben (Adapter)
- 7 Werkzeug

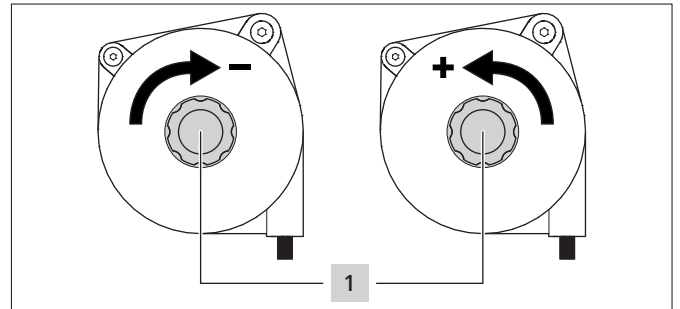
- 2 Die zwei Befestigungsschrauben (Adapter) **6** am Werkzeug **7** lösen und entfernen.
- 3 Den Adapter **1** an das Werkzeug **7** montieren.
- ▶ Den Adapter **1** in das Werkzeug **7** einsetzen.
- ▶ Die zwei Befestigungsschrauben (Adapter) **6** durch das Werkzeug **7** in den Adapter **1** stecken und handfest anziehen.
- 4 Das Werkzeug **7** an den Aufhängebügel **5** montieren.
- ▶ Das Werkzeug **7** mit dem montierten Adapter **1** in die Adapteraufnahme **2** einsetzen.
- ▶ Den Sicherungsstift **4** in die Nut **3** bis zum Anschlag einschieben.
- ▶ Den Adapter **1** samt Werkzeug **7** drehen, bis die Nut **3** am Bund wieder verschlossen ist.

i Die Nut am Bund verhindert im Betriebszustand, dass der Sicherungsstift unbeabsichtigt herausrutscht.

- Das Werkzeug ist in die Hängevorrichtung eingesetzt.

5.5.1 Balancer (Seilzug) justieren

i Die Zugkraft des Balancers muss so eingestellt werden, dass das Werkzeug von allein oben gehalten wird und ohne großen Kraftaufwand zur Bedienung heruntergezogen werden kann.



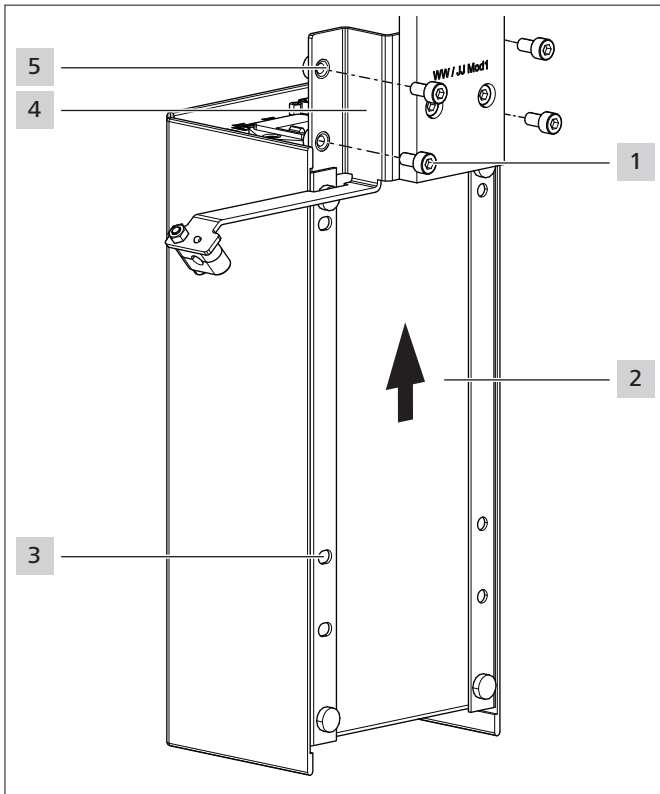
Balancer (Seilzug) justieren

- 1 Einstellrad

- 1 Das Einstellrad **1** gegen den Uhrzeigersinn drehen, um die Zugkraft zu erhöhen.
- 2 Das Einstellrad **1** im Uhrzeigersinn drehen, um die Zugkraft zu verringern.
- Der Balancer (Seilzug) ist justiert.

5.6 Netzgerät mit Steuerbox montieren

i Die folgenden Montageschritte gelten ebenfalls für reguläre Netzteile ohne Steuerbox.

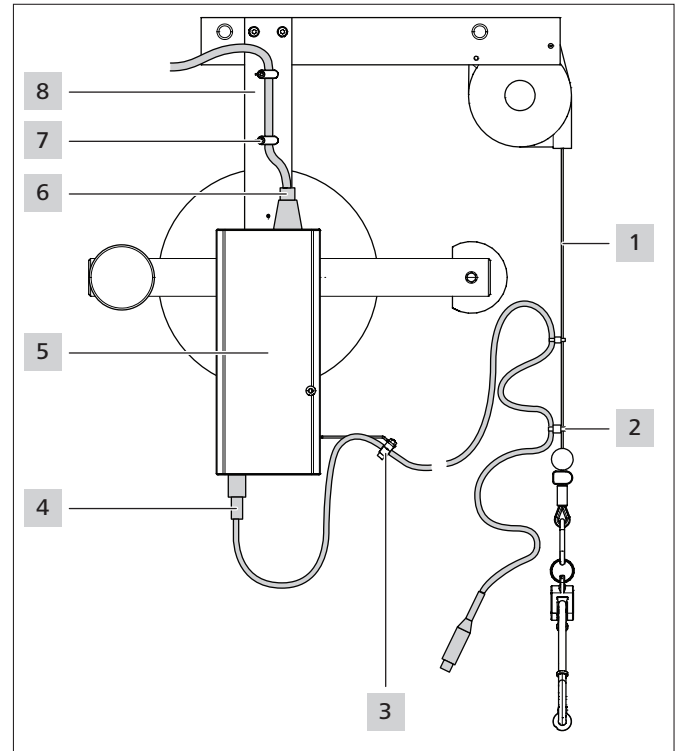


Netzgerät mit Steuerbox montieren

- 1 Befestigungsschrauben (Netzgeräthalter)
- 2 Netzgerät mit Steuerbox
- 3 Bohrungen Netzgerät
- 4 Netzgeräthalter
- 5 Bohrungen Netzgeräthalter

- 1 Die vier Befestigungsschrauben (Netzgeräthalter) **1** lösen und entfernen.
- 2 Das Netzgerät mit Steuerbox **2** montieren.
 - ▶ Das Netzgerät mit Steuerbox **2** von unten über den Netzgeräthalter **4** schieben.
 - ▶ Darauf achten, dass die vier Bohrungen **3** am Netzgerät mit Steuerbox **2** deckungsgleich mit den Bohrungen **5** am Netzgeräthalter **4** sind.
 - ▶ Die vier Befestigungsschrauben (Netzgeräthalter) **1** durch die Bohrungen stecken und handfest anziehen.
- Das Netzgerät mit Steuerbox ist montiert.

5.7 Werkzeug und Netzgerät anschließen



Werkzeug und Netzgerät anschließen

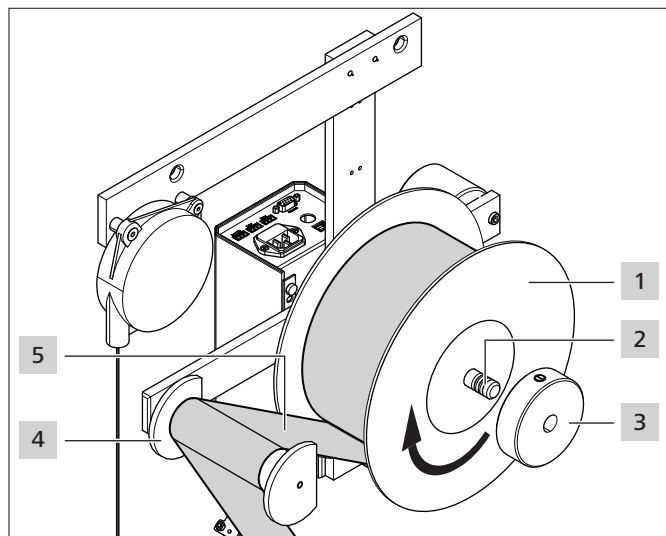
- 1 Balancer (Seilzug)
- 2 Clips (Balancer)
- 3 Abstandhalter
- 4 Verbindungskabel
- 5 Netzgerät
- 6 Netzkabel
- 7 Clips (Säule)
- 8 Säule

- 1 Das Netzkabel **6** mit dem Netzgerät **5** verbinden.
- 2 Das Netzkabel **6** mit Hilfe der Clips **7** entlang der Säule **8** befestigen.
 - ▶ Darauf achten, dass das Netzkabel **6** knickfrei verlegt ist.
- 3 Mit dem Verbindungskabel **4** das Werkzeug mit dem Netzgerät **5** verbinden.
 - ▶ Die Betriebsanleitung des Werkzeugs beachten.
- 4 Das Verbindungskabel **4** am Abstandshalter **3** des Netzgeräthalters einklemmen und mit Hilfe der Clips **2** entlang des Balancers (Seilzug) **1** befestigen.
 - ▶ Darauf achten, dass das Verbindungskabel **4** knickfrei verlegt ist.

i Das Verbindungskabel zwischen Werkzeug und Netzgerät mit Steuerbox muss lose am Balancer befestigt werden, um die mögliche Bewegungen ausgleichen zu können.

- Das Werkzeug und das Netzgerät sind angeschlossen.

5.8 Kabelbinderspule einsetzen



Kabelbinderspule einsetzen

- 1 Kabelbinderspule
- 2 Spulenaufnahme
- 3 Klemmring
- 4 Umlenkrolle
- 5 Bandkette

- 1 Den Klemmring **3** von der Spulenaufnahme **2** abziehen.
- 2 Die Kabelbinderspule **1** auf die Spulenaufnahme **2** schieben.
 - ▶ Darauf achten, dass die Kabelbinderspule **1** im Uhrzeigersinn abgewickelt werden kann.
- 3 Den Klemmring **3** auf die Spulenaufnahme **2** setzen.
- 4 Die Bandkette **5** über die Umlenkrolle **4** zum Werkzeug führen.
 - ▶ Darauf achten, dass die Bandkette **5** nicht verdreht.
 - Die Kabelbinderspule ist eingesetzt.

5.9 Inbetriebnahme vor jeder Benutzung

Die Inbetriebnahme vor jeder Benutzung dient der Sicherheit und beinhaltet eine Kontrolle vor und nach der Bedienung.

- ▶ Hängevorrichtung auf Mängel kontrollieren.
- ▶ Festgestellte Mängel von Wartungspersonal ggf. beheben lassen.
- ▶ Bedienen Sie die Hängevorrichtung nur, wenn alle Mängel behoben sind und die Sicherheit gewährleistet ist.

5.9.1 Kontrolle vor der Bedienung

Führen Sie vor jeder Bedienung die folgenden Schritte durch:

- ▶ Das Netzkabel und das Verbindungskabel auf festen Sitz überprüfen.
- ▶ Die Abwickelrichtung der Kabelbinderspule überprüfen.
- ▶ Die Funktion des Balancers überprüfen.

5.9.2 Kontrolle nach der Bedienung

Führen Sie nach jeder Bedienung die folgenden Schritte durch:

- ▶ Die Hängevorrichtung, das Werkzeug und den umliegenden Arbeitsplatz säubern.
- ▶ Die ggf. festgestellten Mängel protokollieren und melden.

6 Bedienung

i Die Hängevorrichtung kann nur zusammen mit dem Werkzeug bedient werden.

6.1 Werkzeug ein- und ausschalten

- ▶ Die Betriebsanleitung des Werkzeugs beachten.
→ *Betriebsanleitung des Werkzeugs*

6.2 Bandkette in das Werkzeug einführen

- ▶ Die Betriebsanleitung des Werkzeugs beachten.
→ *Betriebsanleitung des Werkzeugs*

6.3 Werkzeug in Arbeitsposition bringen

- ▶ Das Werkzeug am Griff fassen und vorsichtig über den Balancer (Seilzug) zur Arbeitsposition ziehen.
- Das Werkzeug befindet sich in der Arbeitsposition.

6.4 Werkzeug bedienen

- ▶ Die Betriebsanleitung des Werkzeugs beachten.
→ *Betriebsanleitung des Werkzeugs*

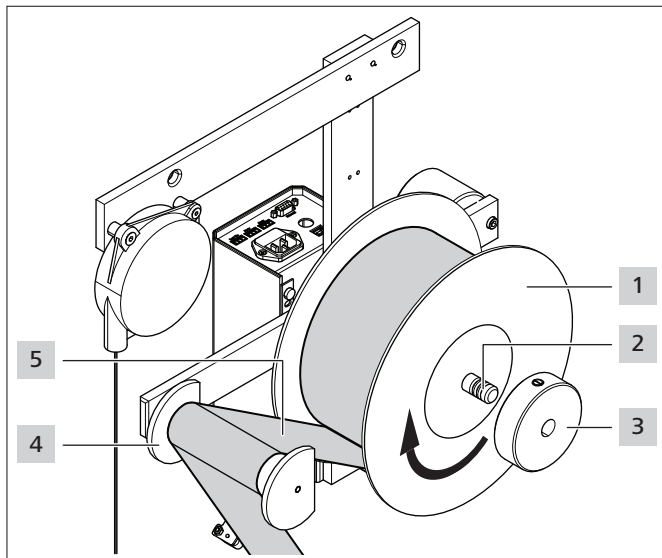
6.5 Abfallbox entleeren

- i** Der Materialabfall fällt in die integrierte Abfallbox des Werkzeugs.
- ▶ Die Abfallbox des Werkzeuges regelmäßig entleeren und Abfälle ordnungsgemäß entsorgen.
 - ▶ Die Betriebsanleitung des Werkzeugs beachten.
→ *Betriebsanleitung des Werkzeugs*

6.6 Werkzeug aus der Arbeitsposition entfernen

- ▶ Das Werkzeug vorsichtig über die Zugkraft des Balancers (Seilzug) nach oben führen.
- Das Werkzeug befindet sich in der Ausgangsposition.

6.7 Leere Kabelbinderspule austauschen



Leere Kabelbinderspule austauschen

- 1 Kabelbinderspule
- 2 Spulenaufnahme
- 3 Klemmring
- 4 Umlenkrolle
- 5 Bandkette

- 1 Den Klemmring **3** von der Spulenaufnahme **2** abziehen.
 - 2 Die leere Kabelbinderspule **1** von der Spulenaufnahme **2** entfernen und fachgerecht lagern.
 - 3 Eine volle Kabelbinderspule **1** auf die Spulenaufnahme **2** schieben.
 - ▶ Darauf achten, dass die Kabelbinderspule **1** im Uhrzeigersinn abgewickelt werden kann.
 - 4 Den Klemmring **3** auf die Spulenaufnahme **2** setzen.
 - 5 Die Bandkette **5** über die Umlenkrolle **4** zum Werkzeug führen.
 - ▶ Darauf achten, dass die Bandkette **5** nicht verdreht.
- Die Kabelbinderspule ist ausgetauscht.

7 Fehlerbehebung

Die nachfolgende Übersicht hilft, mögliche Störungen und deren Ursachen zu ermitteln und Maßnahmen zur Fehlerbeseitigung durchzuführen.

Störung	Ursache	Behebung
Der Balancer hält das Gewicht des Werkzeuges nicht.	Der Seilzug im Balancer ist nicht korrekt eingestellt oder defekt.	<ul style="list-style-type: none"> ▶ Der Balancer muss korrekt justiert werden. → „Balancer (Seilzug) justieren“ auf Seite 23 ▶ Der Balancer muss ausgetauscht werden.
Das Werkzeug lässt sich nicht herunterziehen.		
Das Werkzeug funktioniert nicht.	Die Verkabelung an der Hängevorrichtung hat sich gelöst.	▶ Die Kabel ordnungsgemäß anschließen und fixieren.
Die Kabelbinderspule lässt sich nicht abwickeln.	Die Kabelbinderspule ist in der falschen Wickelrichtung (gegen den Uhrzeigersinn) eingesetzt	▶ Die Kabelbinderspule mit der Wickelrichtung im Uhrzeigersinn einsetzen.

8 Instandhaltung

GEFAHR

Lebensgefahr durch Stromschlag!

Bei Kontakt mit spannungsführenden Bauteilen besteht Lebensgefahr.

- ▶ Das Netzgerät vor der Außerbetriebnahme stromlos schalten
- ▶ Das Netzkabel aus der Steckdose ziehen.

8.1 Reinigung

HINWEIS

Mögliche Sachbeschädigung durch ungeeignete Reinigungsmittel!

Unverträgliche und aggressive Reinigungsmittel können Oberflächen oder Bauteile beschädigen.

- ▶ Nur Reinigungsmittel verwenden, die mit den Oberflächen und Materialien der Hängevorrichtung, dem Werkzeug, dem Netzgerät und den Kabeln verträglich sind.
- ▶ Die empfindliche Bauteile zum Schutz abdecken.

8.1.1 Hängevorrichtung reinigen

- 1 Das Netzgerät stromlos schalten.
 - 2 Die Hängevorrichtung von Schmutz und Fremdkörpern bereinigen.
- Die Hängevorrichtung ist gereinigt.

8.2 Wartung

8.2.1 Wichtige Hinweise

Um die sichere Funktion der Hängevorrichtung zu gewährleisten, muss diese einer regelmäßigen Wartung unterzogen werden.

8.2.2 Allgemeine Wartungsmaßnahmen

i Die Wartungsmaßnahmen für das Werkzeug und das Netzgerät sind in der Betriebsanleitung des Werkzeuges beschrieben.
→ *Betriebsanleitung des Werkzeugs, Kapitel Wartung*

- ▶ Die Hängevorrichtung regelmäßig auf einwandfreie Funktion kontrollieren.
- ▶ Die Eignung des Arbeitsplatzes kontrollieren.
- ▶ Die befestigten elektrischen Leitungen auf Schäden kontrollieren.
- ▶ Die beschädigten elektrischen Leitungen umgehend durch entsprechendes Wartungspersonal austauschen lassen.

8.3 Instandsetzung

! WARNUNG
<p>Schwere Verletzungen durch unsachgemäße Instandsetzungsarbeiten!</p> <p>Unsachgemäß ausgeführte Instandsetzungsarbeiten können die Sicherheit der Hängevorrichtung beeinträchtigen und zu schweren Verletzungen führen.</p> <ul style="list-style-type: none"> ▶ Die Instandsetzungsarbeiten nur von autorisiertem und unterwiesenem Personal durchführen lassen.

HINWEIS
<p>Sachbeschädigung durch unsachgemäße Instandsetzungsarbeiten!</p> <p>Unsachgemäß ausgeführte Instandsetzungsarbeiten können die Hängevorrichtung beschädigen und zum Ausfall führen.</p> <ul style="list-style-type: none"> ▶ Die Instandsetzungsarbeiten nur von autorisiertem und unterwiesenem Personal durchführen lassen.

9 Außerbetriebnahme

! GEFAHR
<p>Lebensgefahr durch Stromschlag!</p> <p>Bei Kontakt mit spannungsführenden Bauteilen besteht Lebensgefahr.</p> <ul style="list-style-type: none"> ▶ Das Netzgerät vor der Außerbetriebnahme stromlos schalten ▶ Das Netzkabel aus der Steckdose ziehen.

Die Außerbetriebnahme dient zum Stilllegen der Hängevorrichtung.

9.1 Hängevorrichtung außer Betrieb nehmen

- 1 Das Netzgerät stromlos schalten.
- 2 Das Netzkabel und das Verbindungskabel entfernen.

- 3 Das Werkzeug von dem Aufhängebügel demontieren.
 - 4 Die Kabelbinderspule entfernen.
 - 5 Die Hängevorrichtung von der Decke, der Trägerkonstruktion und/oder dem Schienensystem entfernen.
 - 6 Die Hängevorrichtung mit einem geeigneten Schild („außer Betrieb“) kennzeichnen.
 - 7 Die Hängevorrichtung ordnungsgemäß entsorgen oder einlagern. → *„Entsorgung“ auf Seite 27*
- Die Hängevorrichtung ist außer Betrieb genommen.

9.2 Hängevorrichtung wieder in Betrieb nehmen

- 1 Die Hängevorrichtung auf Vollständigkeit kontrollieren.
 - 2 Die Hängevorrichtung auf einwandfreie Funktion überprüfen.
 - 3 Die „außer Betrieb“ Kennzeichnung entfernen.
 - 4 Die Hängevorrichtung an einem geeigneten Arbeitsplatz installieren.
→ *„Hängevorrichtung am Arbeitsplatz installieren“ auf Seite 23*
 - 5 Das Netzgerät mit Steuerbox montieren.
→ *„Netzgerät mit Steuerbox montieren“ auf Seite 23*
 - 6 Das Werkzeug einsetzen.
→ *„Werkzeug einsetzen“ auf Seite 23*
- Die Hängevorrichtung ist wieder in Betrieb genommen.

10 Entsorgung

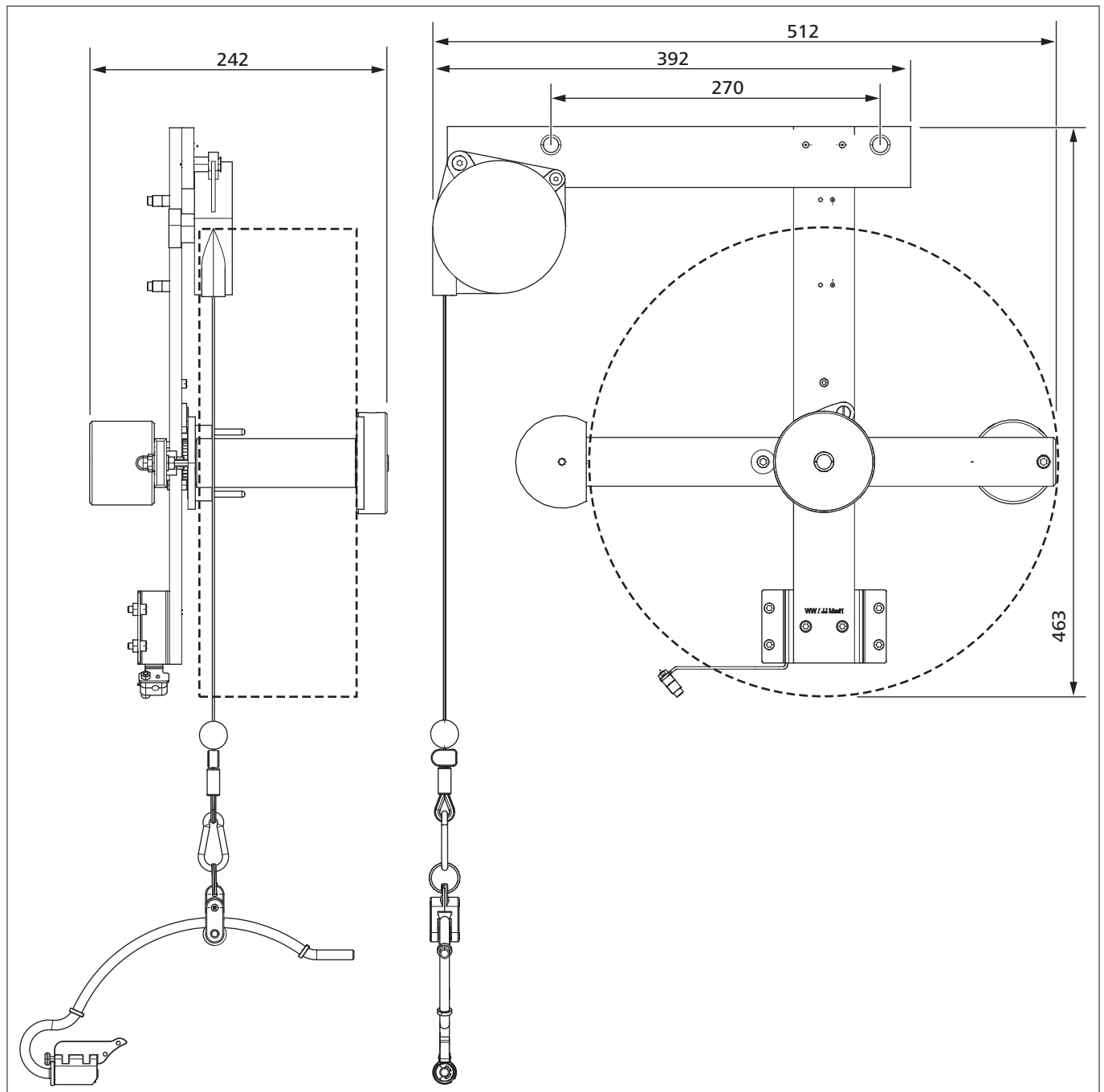
Der Betreiber ist verpflichtet, die gelieferte Hängevorrichtung und die Komponenten nach Beendigung der Nutzung ordnungsgemäß zu entsorgen. Die Entsorgung der Hängevorrichtung, einzelner Komponenten sowie der Betriebs- und Hilfsstoffe unterliegt zum Teil gesetzlichen Regelungen.

Genauere Informationen geben die zuständigen örtlichen Behörden.

- ▶ Verpackung entsprechend den geltenden Entsorgungs- und Umweltvorschriften entsorgen.
- ▶ Das zu entsorgende Gut, Produktionsabfälle sowie Betriebsstoffe nur an autorisierten Annahmestellen abliefern.
- ▶ Bei Unklarheiten zur Entsorgung den Hersteller kontaktieren.

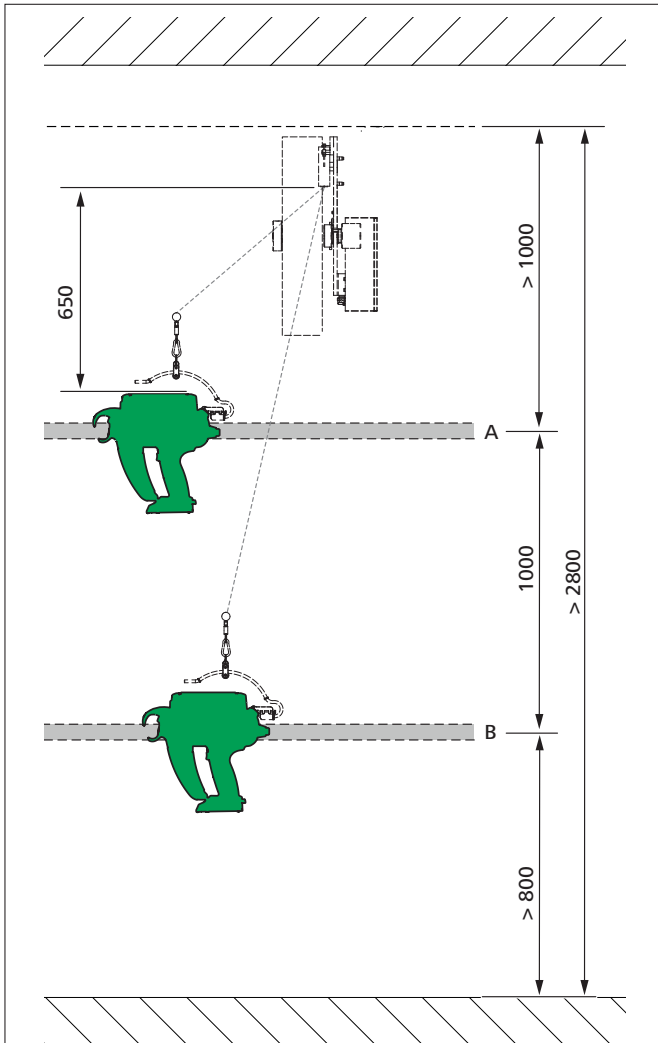
11 Technische Daten

11.1 Maße



Maße Hängevorrichtung CPK (Alle Angaben in mm)

11.2 Arbeitsbereich



Arbeitsbereich (Beispiel)

i Die Zeichnung ist nicht Maßstabsgetreu.
Alle Angaben sind lediglich Empfehlungen des Herstellers.

11.3 Gewicht

Gewicht Hängevorrichtung	3,88 kg
Gewicht Hängevorrichtung mit Kabelbinderspule	5,64 kg
Gewicht Hängevorrichtung mit Kabelbinderspule und Werkzeug	7,20 kg

12 Kundenservice und Ersatzteile

Bei Fragen oder Anregungen wenden Sie sich bitte an HellermannTyton. Die Kontaktdaten sind am Ende dieser Dokumentation aufgeführt.

HellermannTyton operates globally in 36 countries



Europe

HellermannTyton GmbH – Austria
 Rennbahnweg 65
 1220 Vienna
 Tel.: +43 12 59 99 55-0
 Fax: +43 12 59 99 11
 Email: htcee.office@HellermannTyton.com
 www.HellermannTyton.at

HellermannTyton – Bulgaria
 Email: officeBG@HellermannTyton.com
 www.HellermannTyton.bg

HellermannTyton – Czech Republic
 Email: officeCZ@HellermannTyton.com
 www.HellermannTyton.cz

HellermannTyton – Denmark
 Industrivej 44A, 1.
 4000 Roskilde
 Tel.: +45 702 371 20
 Email: htcdk@HellermannTyton.dk
 www.HellermannTyton.dk

HellermannTyton – Finland
 Äyritie 12 B
 01510 Vantaa
 Tel.: +358 9 8700 450
 Email: myynti@HellermannTyton.fi
 www.HellermannTyton.fi

HellermannTyton S.A.S. – France
 2 rue des Hêtres - CS 80543
 78197 Trappes Cedex
 Tel.: +33 1 30 13 80 00
 Fax: +33 1 30 13 80 60
 Email: info.htf@HellermannTyton.com
 www.HellermannTyton.fr

HellermannTyton GmbH – Germany
 Großer Moorweg 45
 25436 Tornesch
 Tel.: +49 4122 701-0
 Fax: +49 4122 701-400
 Email: info@HellermannTyton.de
 www.HellermannTyton.de

HellermannTyton KFT – Hungary
 Kisfaludy u. 13
 1044 Budapest
 Tel.: +36 1 369 4151
 Fax: +36 1 369 4151
 Email: htcee.officeHU@HellermannTyton.com
 www.HellermannTyton.hu

HellermannTyton Ltd – Ireland
 Unit A5 Cherry Orchard
 Business Park
 Ballyfermot, Dublin 10
 Tel.: +353 1 626 8267
 Fax: +353 1 626 8022
 Email: sales@HellermannTyton.ie
 www.HellermannTyton.co.uk

HellermannTyton S.r.l. – Italy
 Via Visco, 3/5
 35010 Limena (PD)
 Tel.: +39 049 767 870
 Fax: +39 049 767 985
 Email: info@HellermannTyton.it
 www.HellermannTyton.it

HellermannTyton B.V. – Belgium/Netherlands
 Vanadiumweg 11-C
 3812 PX Amersfoort
 Tel.: +31 33 460 06 90
 Email (NL): info@HellermannTyton.nl
 Email (BE): info@HellermannTyton.be
 www.HellermannTyton.nl
 www.HellermannTyton.be

HellermannTyton AS – Norway
 Nils Hansens vei 13
 0667 Oslo
 Tel.: +47 23 17 47 00
 Email: firmapost@HellermannTyton.no
 www.HellermannTyton.no

HellermannTyton Sp. z o.o. – Poland
 Kotunia 111
 62-400 Słupca
 Tel.: +48 63 2237 111
 Fax: +48 63 2237 110
 Email: info@HellermannTyton.pl
 www.HellermannTyton.pl

HellermannTyton – Romania
 Email: officeRO@HellermannTyton.com
 www.HellermannTyton.ro

OOO HellermannTyton – Russia
 40/4, Pulkovskoe road
 BC Technopolis Pulkovo, office A 8081
 196158, St. Petersburg
 Tel.: +7 812 386 00 09
 Fax: +7 812 386 00 08
 Email: info@HellermannTyton.ru
 www.HellermannTyton.ru

HellermannTyton – Slovenia
 Branch Office Ljubljana
 Podružnica Ljubljana, Ukmarjeva 2
 1000 Ljubljana
 Tel.: +386 1 433 70 56
 Fax: +386 1 433 63 21
 Email: officesl@HellermannTyton.com
 www.HellermannTyton.si

HellermannTyton España s.l. – Spain / Portugal
 Avda. de la Industria 37 2º 2
 28108 Alcobendas, Madrid
 Tel.: +34 91 661 2835
 Fax: +34 91 661 2368
 Email: HellermannTyton@HellermannTyton.es
 www.HellermannTyton.es

HellermannTyton AB – Sweden
 Isafjordsgatan 5
 16440 Kista
 Tel.: +46 8 580 890 00
 Fax: +46 8 580 348 02
 Email: kundsupport@HellermannTyton.se
 www.HellermannTyton.se

HellermannTyton Engineering GmbH – Turkey
 Saray Mah Dr. Adnan Büyükdeleniz Cad. No:4
 Akkom Office Park 2. Blok Kat: 10
 34768 Umraniye-Istanbul
 Tel.: +90 216 687 03 40
 Fax: +90 216 250 32 32
 Email: info@HellermannTyton.com.tr
 www.HellermannTyton.com.tr

HellermannTyton Ltd – UK
 William Prance Road
 Plymouth International Medical
 and Technology Park
 Plymouth, Devon PL6 5WR
 Tel.: +44 1752 701 261
 Fax: +44 1752 790 058
 Email: uk-pt@HellermannTyton.com
 www.HellermannTyton.co.uk

HellermannTyton Ltd – UK
 Sharston Green Business Park
 1 Robeson Way
 Altrincham Road, Wythenshawe
 Manchester M22 4TY
 Tel.: +44 161 947 2200
 Fax: +44 161 947 2220
 Email: uk-pt@HellermannTyton.com
 www.HellermannTyton.co.uk

HellermannTyton Ltd – UK
 Cley Road, Kingswood Lakeside
 Cannock, Staffordshire
 WS11 8AA
 Tel.: +44 1543 728282
 Fax: +44 1543 728284
 Email: uk-pt@HellermannTyton.com
 www.HellermannTyton.co.uk

HellermannTyton Data Ltd – UK
 Waterside House, Edgar Mobbs Way
 Northampton NN5 5JE
 Tel.: +44 1604 707 420
 Fax: +44 1604 705 454
 Email: sales@htdata.co.uk
 www.htdata.co.uk

Middle East

HellermannTyton – UAE
 Email: info@HellermannTyton.ae
 www.HellermannTyton.ae

North America

HellermannTyton – Canada
 Tel.: +1 905 726 1221
 Fax: +1 905 726 8538
 Email: sales@HellermannTyton.ca
 www.HellermannTyton.ca

HellermannTyton – Mexico
 Tel.: +52 333 133 9880
 Fax: +52 333 133 9861
 Email: info@HellermannTyton.com.mx
 www.HellermannTyton.us

HellermannTyton – USA
 Tel.: +1 414 355 1130
 Fax: +1 414 355 7341
 Email: corp@htamericas.com
 www.HellermannTyton.us

South America

HellermannTyton – Argentina
 Tel.: +54 11 4754 5400
 Fax: +54 11 4752 0374
 Email: ventas@HellermannTyton.com.ar
 www.HellermannTyton.com.ar

HellermannTyton – Brazil
 Tel.: +55 11 4815 9000
 Fax: +55 11 4815 9030
 Email: vendas@HellermannTyton.com.br
 www.HellermannTyton.com.br

Asia-Pacific

HellermannTyton – Australia
 Tel.: +61 2 9525 2133
 Fax: +61 2 9526 2495
 Email: cservice@HellermannTyton.com.au
 www.HellermannTyton.com.au

HellermannTyton – China
 Tel.: +86 510 8528 2536
 Fax: +86 510 8528 2731
 Email: cservice@HellermannTyton.com.cn
 www.HellermannTyton.com.cn

HellermannTyton – Hong Kong
 Tel.: +852 2831 9090
 Fax: +852 2832 9381
 Email: cservice@HellermannTyton.com.hk
 www.HellermannTyton.com.hk

HellermannTyton – India
 Tel.: +91 120 413 3384
 Email: cservice@HellermannTyton.co.in
 www.HellermannTyton.co.in

HellermannTyton – Japan
 Tel.: +81 3 5790 3111
 Fax: +81 3 5790 3112
 Email: mkt@hellermanntyton.jp
 www.HellermannTyton.jp

HellermannTyton – Republic of Korea
 Tel.: +82 32 833 8012
 Fax: +82 32 833 8013
 Email: cservice@HellermannTyton.co.kr
 www.HellermannTyton.co.kr

HellermannTyton – Philippines
 Tel.: +63 2 752 6551
 Fax: +63 2 752 6553
 Email: cservice@HellermannTyton.com.ph
 www.HellermannTyton.com.ph

HellermannTyton – Singapore
 Tel.: +65 6 586 1919
 Fax: +65 6 752 2527
 Email: cservice@HellermannTyton.sg
 www.HellermannTyton.com.sg

HellermannTyton – Thailand
 Tel.: +662 237 6702 / 266 0624
 Fax: +662 266 8664
 Email: cservice@HellermannTyton.co.th
 www.HellermannTyton.com.sg

Africa

HellermannTyton – South Africa
 Tel.: +27 11 879 6600
 Fax: +27 11 879 6603
 Email: jhb.sales@Hellermann.co.za
 www.HellermannTyton.co.za