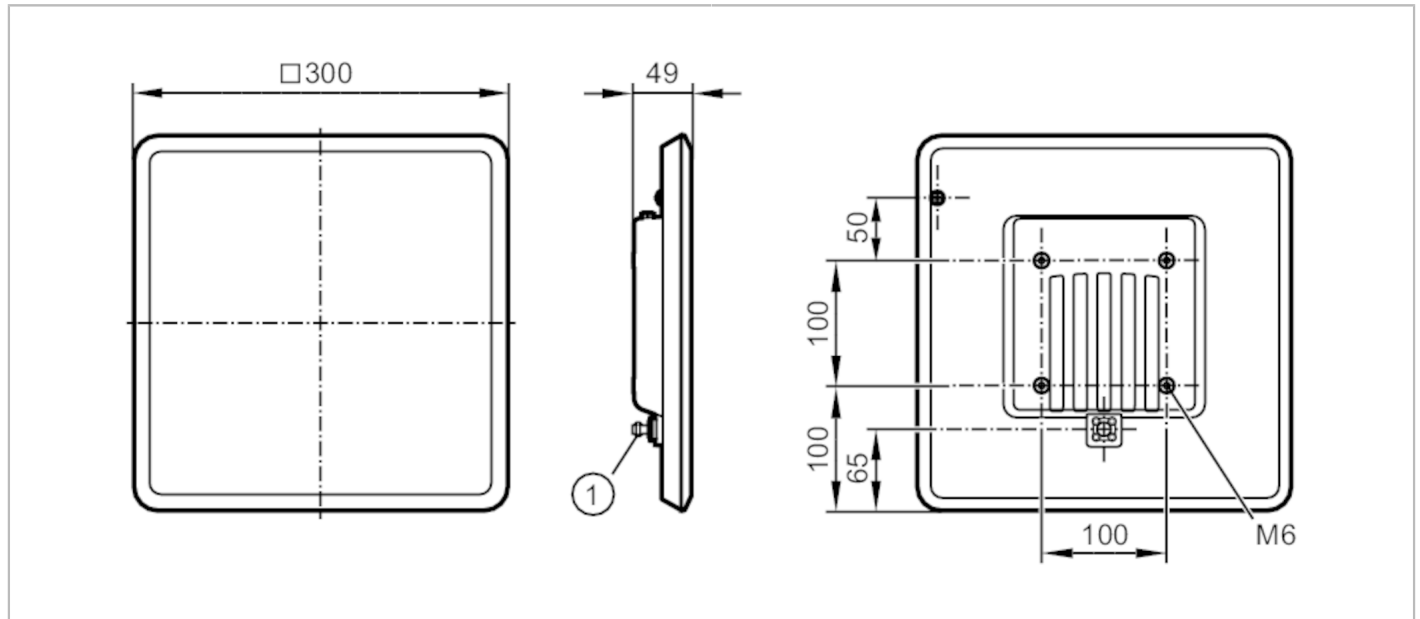


ANT960



RFID read/write head UHF

DTRUHFA_AERWKOTN04



| Electrical data | | |
|------------------------|-------|---|
| Max. input power | [mW] | 1000 |
| Operating frequency | [MHz] | 902...928 (FCC) |
| Antenna connections | | 1; (TNC socket) |
| Polarisation | | circular |
| Transmission power ERP | [mW] | 3981 |
| Antenna gain | [dB] | 8.5 |
| Impedance | [Ω] | 50 |
| Detection zone | | |
| Angle of aperture | [°] | 65 |
| Operating conditions | | |
| Ambient temperature | [°C] | -40...70 |
| Storage temperature | [°C] | -40...85 |
| Protection | | IP 67 |
| Mechanical data | | |
| Weight | [g] | 2406.5 |
| Housing | | rectangular |
| Dimensions | [mm] | 300 x 300 x 79 |
| Materials | | housing: aluminium; TNC socket: brass / PTFE; Protective cover: plastics; |
| Remarks | | |
| Pack quantity | | 1 pcs. |