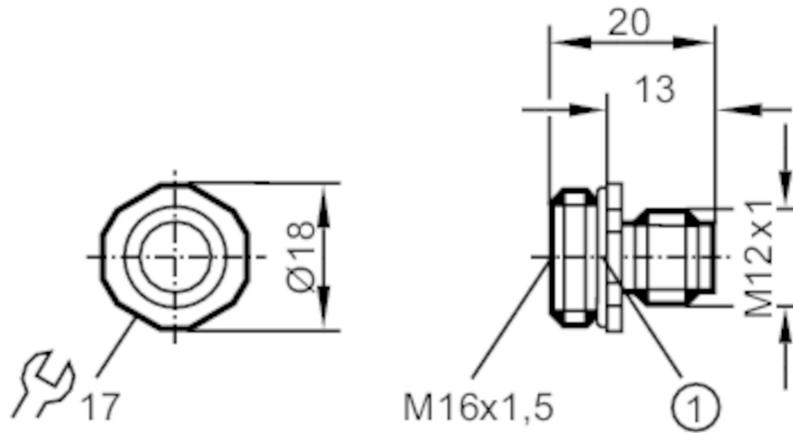


# E11588



## Adapter plug

ESTGH050MSS00,5E05 (M16)



1 O-ring

### Electrical data

Operating voltage [V] < 125 AC/DC

### Operating conditions

Ambient temperature [°C] -25...85

Protection IP 68

### Mechanical data

Weight [g] 20.3

Mounting thread M16

Materials diecast zinc nickel-plated

### Remarks

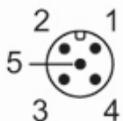
Pack quantity 1 pcs.

### Electrical connection

Cable: 0.5 m, PVC; 5 x 0.25 mm<sup>2</sup>

### Electrical connection - plug

Connector: 1 x M12, straight; Moulded body: diecast zinc, nickel-plated



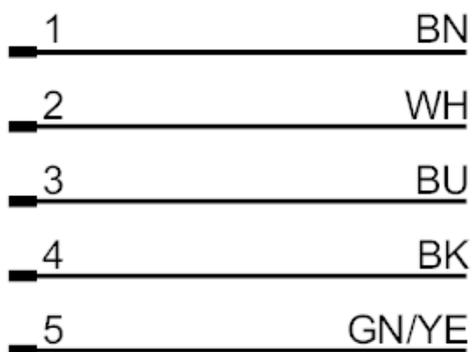
# E11588



## Adapter plug

ESTGH050MSS00,5E05 (M16)

### Connection



#### Core colours :

BK =	black
BN =	brown
BU =	blue
GN =	green
WH =	white
YE =	yellow