







ROLLER LEVER ACTUATOR F. POSITION SWITCH
3SE51/52 ADJUSTABLE, W/O LEVER FUNCTIONAL
AT -40 DEGREES

Product designation		Semi-rotary actuator for position switch
General technical data:		
Shock resistance		30g / 11 ms
Vibration resistance		0.35 mm / 5g
Material of the enclosure of the switch head		plastic
Equipment marking		
• acc. to DIN EN 61346-2		T
• acc. to DIN EN 81346-2		T
Active principle		mechanical
Explosion protection category for dust		none
Explosion protection category for gas		none
Minimum actuating torque in activation direction	N·m	0.25
Enclosure:		
Coating of the enclosure		Other types
Drive Head:		
Design of the operating mechanism		without
Communication/ Protocol:		
Design of the interface		without
Ambient conditions:		
Ambient temperature		
• during operation	°C	-40 ... +85
• during storage	°C	-40 ... +90
Installation/ mounting/ dimensions:		

mounting position		any
Mounting type		lockable plug-in fixing

Certificates/ approvals:

General Product Approval	Declaration of Conformity	Test Certificates	other
 CSA  UL	 EAC  EG-Konf.	Special Test Certificate	Confirmation

other

[Vibration Test Certificates](#)

Further information

Information- and Downloadcenter (Catalogs, Brochures,...)

<http://www.siemens.com/industrial-controls/catalogs>

Industry Mall (Online ordering system)

<http://www.siemens.com/industrymall>

Cax online generator

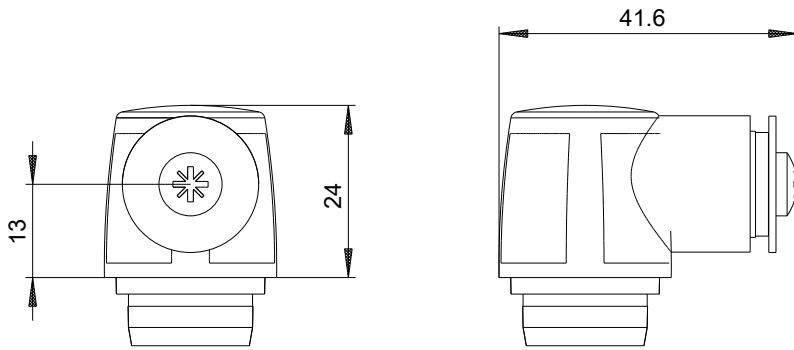
<http://support.automation.siemens.com/WW/CAXorder/default.aspx?lang=en&mlfb=3SE50000AK001AJ0>

Service&Support (Manuals, Certificates, Characteristics, FAQs,...)

<http://support.automation.siemens.com/WW/view/en/3SE50000AK001AJ0/all>

Image database (product images, 2D dimension drawings, 3D models, device circuit diagrams, EPLAN macros, ...)

http://www.automation.siemens.com/bilddb/cax_de.aspx?mlfb=3SE50000AK001AJ0&lang=en



last modified:

16.03.2015