

6W UK Wall Plug Adapter 12V DC, 0.5A

multicomp PRO

**RoHS
Compliant**



Features

- United Kingdom Fixed AC Head
- Level VI Efficiency
- CE Approved

Description

This Class II 6 Watt AC/DC United Kingdom plug-in power supplies provide 6 Watts of continuous power in a compact fixed wall plug enclosure suitable for use in many general power applications.

Specifications

Input Voltage Range	90V AC to 264V AC
Input Frequency Range	47Hz to 63Hz
Input Current Rated	0.2A Max
Output Voltage Rating	+12V
Output Current Range	0.5A
Output Min Current	0.05A
Output Connection Type	2.1mm × 5.5mm × 12mm Centre Positive – Right Angle
Total Output Regulation	±5%
Line and Load Regulation	±5%
Ripple & Noise	300mVp-p
Efficiency	79.03% Min
Over Voltage Protection	15.6V DC Maximum
Over Load Protection	0.55 to 0.9A max with Auto-Recovery Function
Short-circuit Protection	No Damage
Operating Temperature	0°C to +40°C
Storage Temperature	-20°C to +60°C
Operating Humidity	20% to 85%
Storage Humidity	5% to 95%
Hi-Pot	3000V AC 10mA 1min
Leakage Current	0.25mA max
Safety Standard	Meet T-License (BS EN60950-1)
EMI Standard	Meet CE (EN55032)
MTBF	50K Hours
Size Max.	67mm (L) × 49.5mm (W) × 64.8mm (H)
Weight	74g
Regulator Type	Switched Mode Power Supply

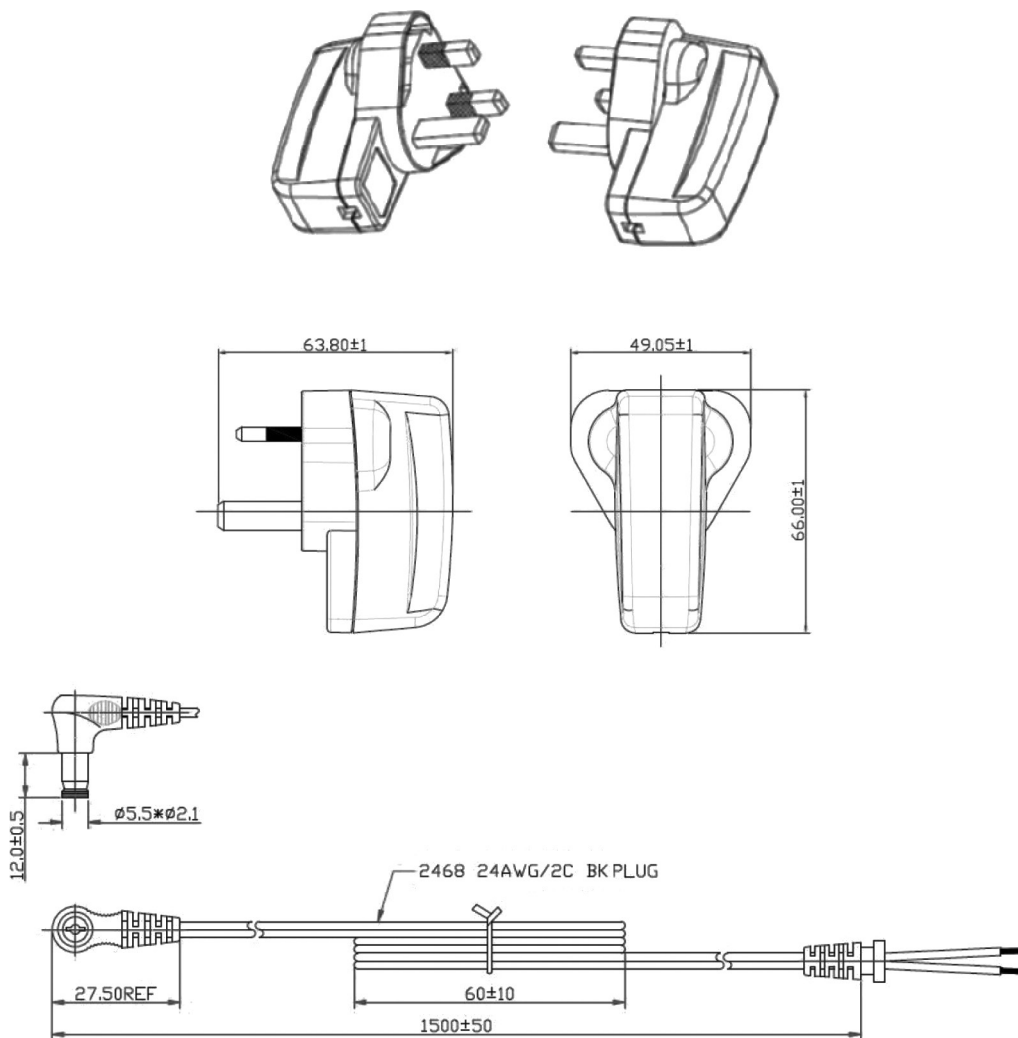
Newark.com/multicomp-pro
Farnell.com/multicomp-pro
Element14.com/multicomp-pro

multicomp PRO

6W UK Wall Plug Adapter 12V DC, 0.5A

multicomp PRO

Diagram



Dimensions : Millimetres

Part Number Table

Description	Part Number
Wall Plug Adapter, 6W, 12V DC, 0.5A, UK Plug	MP001997

Important Notice : This data sheet and its contents (the "Information") belong to the members of the AVNET group of companies (the "Group") or are licensed to it. No licence is granted for the use of it other than for information purposes in connection with the products to which it relates. No licence of any intellectual property rights is granted. The Information is subject to change without notice and replaces all data sheets previously supplied. The Information supplied is believed to be accurate but the Group assumes no responsibility for its accuracy or completeness, any error in or omission from it or for any use made of it. Users of this data sheet should check for themselves the Information and the suitability of the products for their purpose and not make any assumptions based on information included or omitted. Liability for loss or damage resulting from any reliance on the Information or use of it (including liability resulting from negligence or where the Group was aware of the possibility of such loss or damage arising) is excluded. This will not operate to limit or restrict the Group's liability for death or personal injury resulting from its negligence. Multicomp Pro is the registered trademark of Premier Farnell Limited 2019.

Newark.com/multicomp-pro
Farnell.com/multicomp-pro
Element14.com/multicomp-pro

multicomp PRO