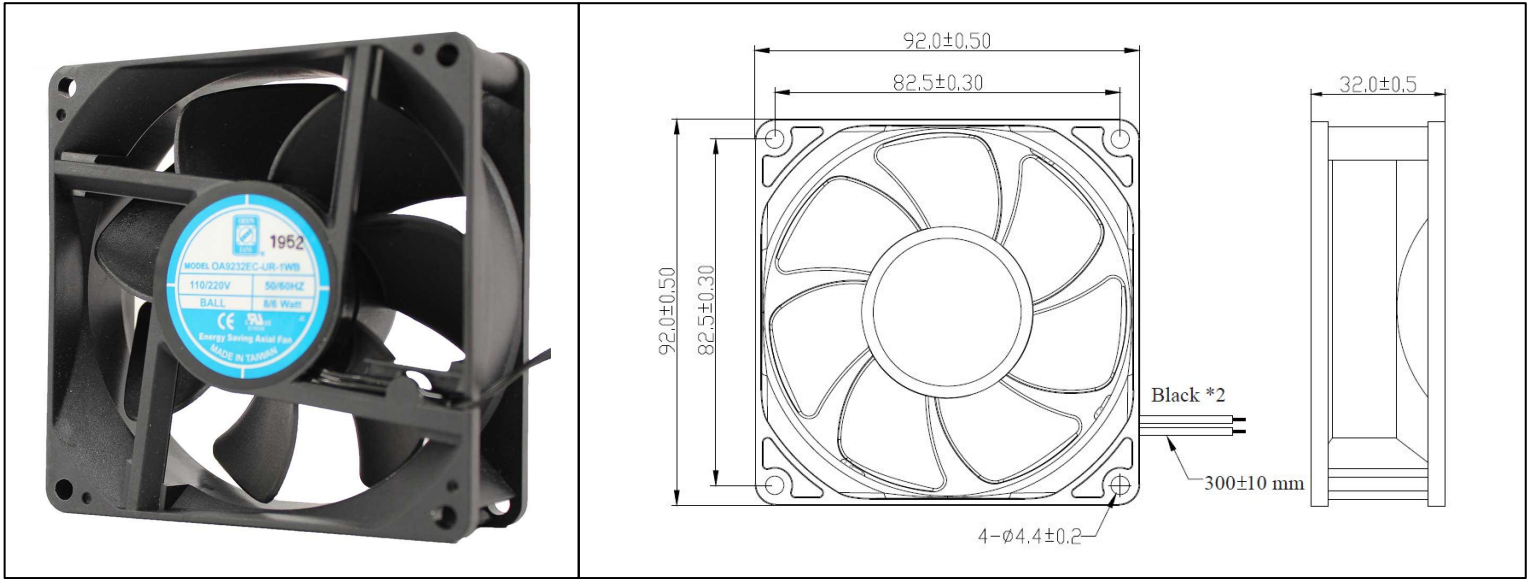


OA9232EC Series



EC Fan - Universal Voltage
92mm x 32mm (3.62" x 1.26")



Frame	PBT, UL 94 V-0 Plastic	<p><u>Operating Temperature</u> -20°C ~ +65°C</p> <p><u>Storage Temperature</u> -20°C ~ +75°C</p> <p><u>Life Expectancy</u> 70,000 Hours (L10 at 40°C)</p> <p>Weight: 0.31 lbs</p>	
Impeller	PBT, UL 94 V-0 Plastic		
Connection	2x Wire Leads, 22 AWG		
Motor	AC-DC Energy Saving, Electronically Protected		
Bearing System	Ball Bearings		
Dielectric Strength	1500VAC/min, <1mA		
Insulation Resistance	≥10MΩ @ 500 VDC		

Part Number	OA9232EC-UR-1WB
Rated Voltage (Volts AC)	115 / 230, 50 / 60 Hz
Voltage Range (Volts AC)	85 ~ 265
Input Power (Watts)	8 ~ 6 (2.1 Typ.)
Rated Speed (RPM)	3000
Max Airflow (CFM)	58
Noise Level (dBA)	43.7
Max Static Pressure (" H ₂ O)	0.23