

## Index Plungers · with hexagon collar, stainless steel A4

22120.1054



### Product Description

Index plungers are used for indexing bores.  
The stainless steel A4 version ensures maximum corrosion resistance.

### Material

#### Body

- Stainless steel 1.4401

#### Locking pin

- Stainless steel 1.4401 nickel-plated

#### Knob

- Stainless steel 1.4401

#### Lock nut

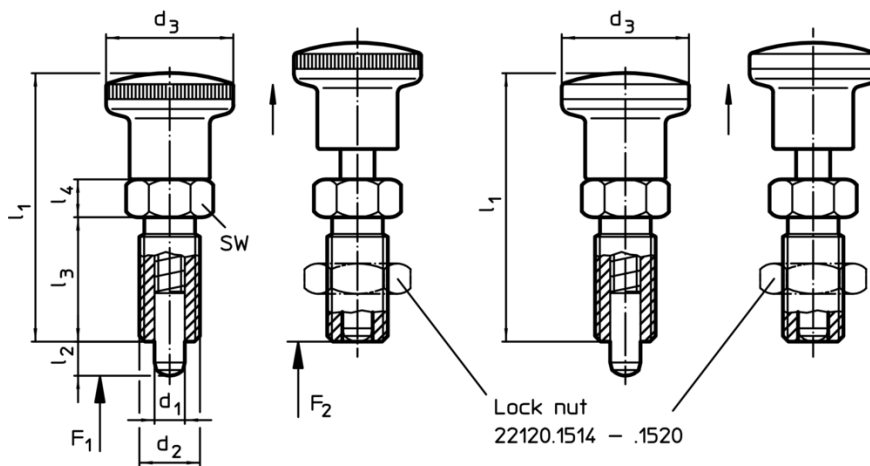
- Stainless steel 1.4401

### More information

#### Notes

Knob not removable.  
Lock nuts have to be purchased separately.

### Drawing



picture 1



picture 2

### Order information

| Dimensions                                      |                |                        |                |                |                |                | Spring load <sup>1)</sup> |                     | max. |     | Art. No.   |
|---|----------------|------------------------|----------------|----------------|----------------|----------------|---------------------------|---------------------|------|-----|------------|
| d <sub>1</sub>                                  | d <sub>2</sub> | l <sub>2</sub><br>min. | d <sub>3</sub> | l <sub>1</sub> | l <sub>3</sub> | l <sub>4</sub> | F <sub>1</sub><br>~       | F <sub>2</sub><br>~ | [°C] | [g] |            |
| [mm]  |                |                        |                |                |                |                | [N]                       |                     | [°C] | [g] |            |
| -0.02<br>-0.05                                  |                |                        |                |                |                |                |                           |                     |      |     |            |
| <b>with knob of stainless steel – picture 2</b> |                |                        |                |                |                |                |                           |                     |      |     |            |
| 4   | M8 x 1         | 8                      | 16             | 35             | 16             | 5              | 3.5                       | 11                  | 100  | 20  | 22120.1054 |

<sup>1)</sup> statistical average value

Accessories

|   | Dimensions<br>d <sub>2</sub><br>[mm] | Wrench size<br>[mm] | <br>[g] | Art. No.   |
|---|--------------------------------------|---------------------|--|------------|
| <b>Lock nuts ISO 8675 (DIN 439), Stainless steel 1.4401</b>                       |                                      |                     |  |            |
|  | M 8 x 1                              | 13                  | 2.8  | 22120.1514 |

Compliance

**RoHS compliant**

Contains lead - compliant according to exceptions 6a / 6b / 6c

**Contains SVHC substances >0,1% w/w**

Contains lead - SVHC list [REACH] as of 10.06.2022

**Contains Proposition 65 substances**



Lead can cause cancer and reproductive harm from exposure  
<https://www.P65Warnings.ca.gov/>

**Free from Conflict Minerals**