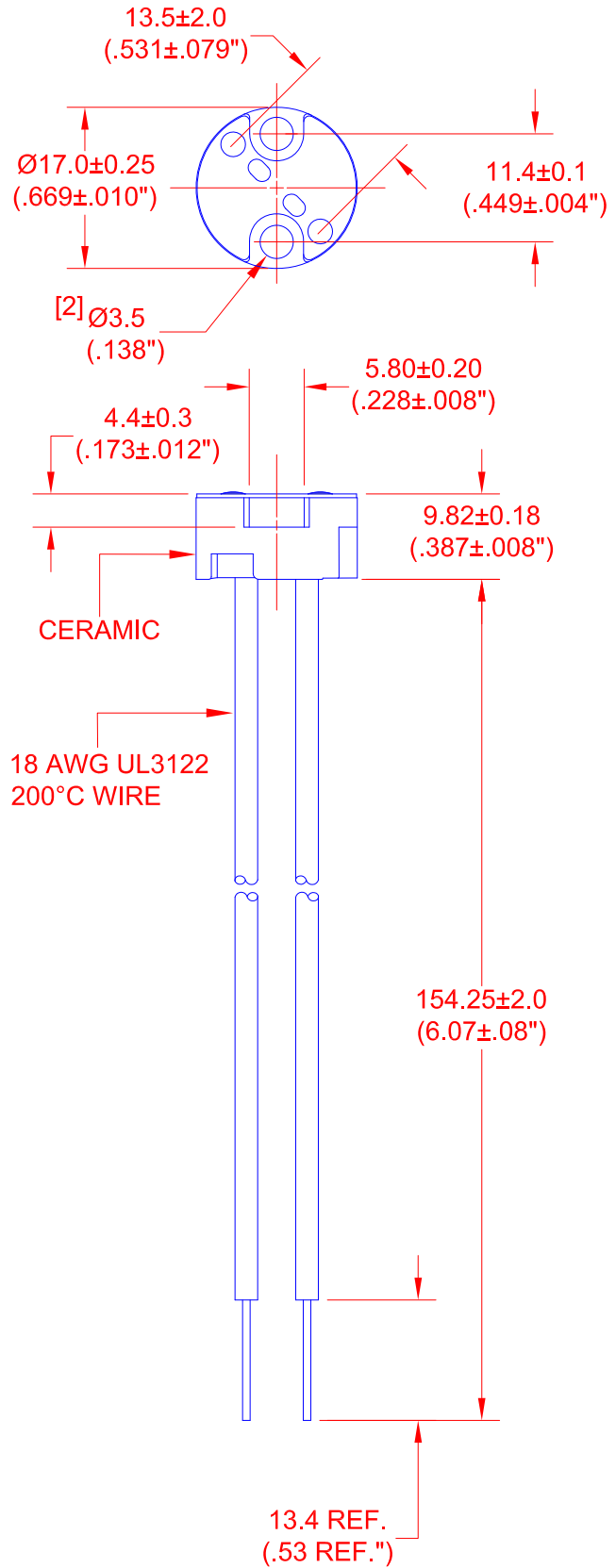
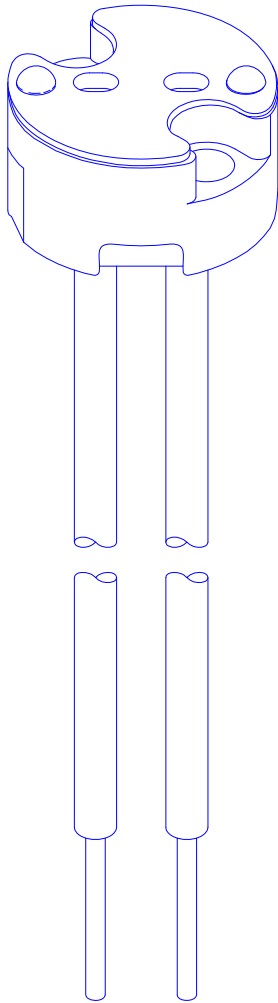


NOTES:

1. Electrical rating 250 Volts, 1000 Watts.
2. Use with G4, GX5.3 or G635 style lamps.
3. Contact retention force 2.0 - 4.0 lbs. per contact.



REV. NO.	DESCRIPTION/ECO NUMBER	APPVD DATE
A	ADD NOTES RELEASED	2/11/13 11/26/07

METRIC THIRD ANGLE PROJECTION		DIMENSIONS ARE IN mm (INCHES) TOLERANCE UNLESS OTHERWISE SPECIFIED 1 PL +/- REF. 2 PL +/- REF. ANGLE +/-	
DRAWN BY	APPVD BY	DATE	
L. WENGSTROM	L.R.	2/11/13	
- CAD DRAWING - MANUAL REVISIONS NOT PERMITTED			

JKL COMPONENTS CORPORATION			
TITLE MR16 LAMP SOCKET			
SIZE	FSCM NO.	DRAWING NO.	
A	55335	2993-G6	
SCALE	RELEASED DATE	REVISION DATE	REV. NO.
NONE	11/26/07	2/11/13	A
			SHEET 1 OF 1