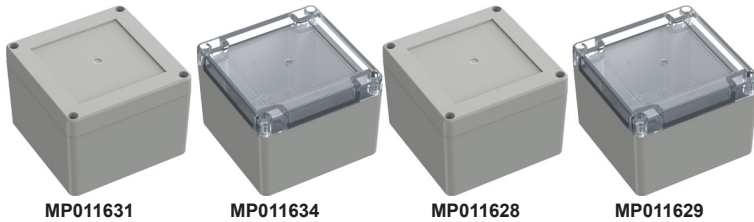


RoHS
Compliant



MP011631

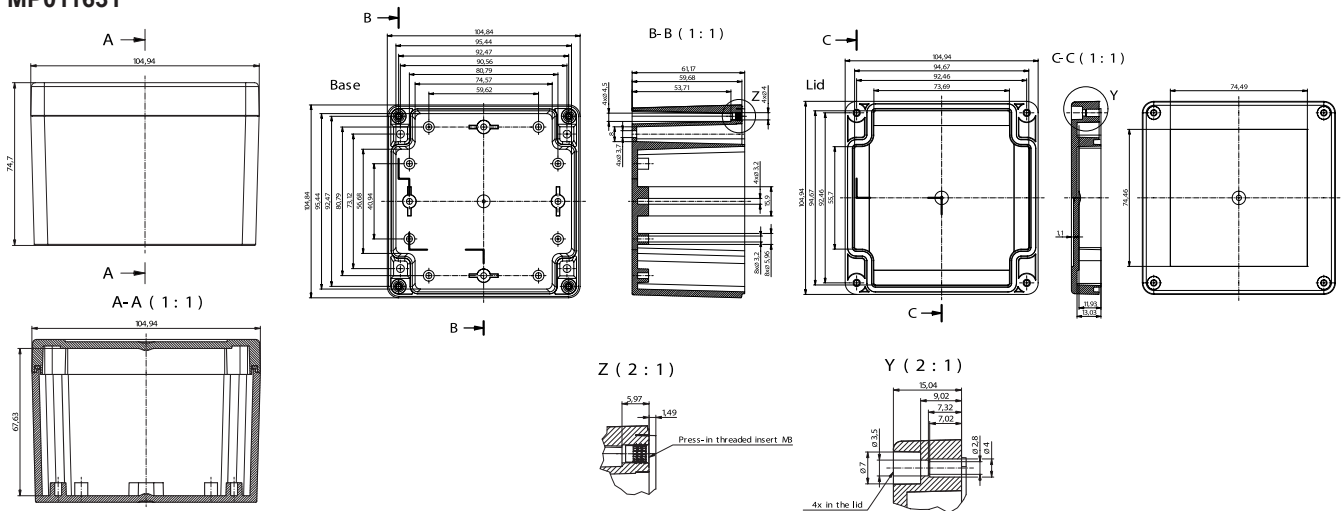
MP011634

MP011628

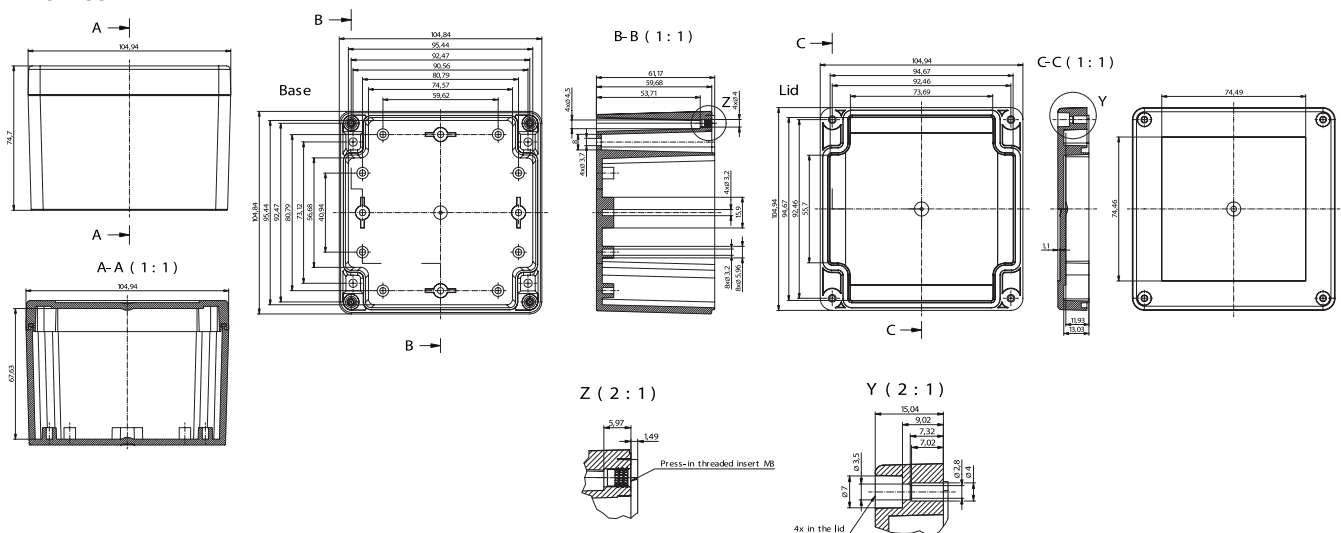
MP011629

Diagram

MP011631



MP011634



Dimensions : Millimetres

Newark.com/multicomp-pro
Farnell.com/multicomp-pro
sg.element14.com/b/multicomp-pro

